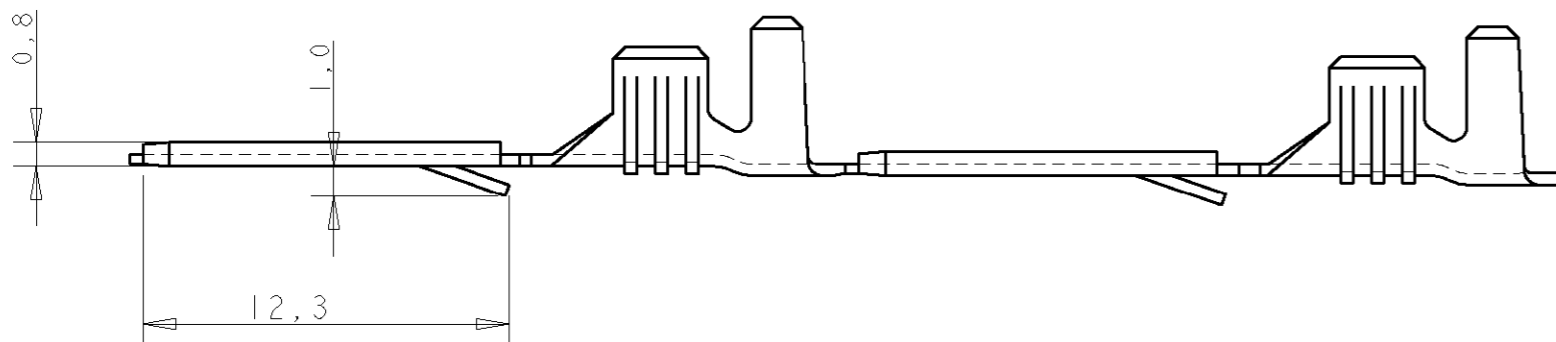
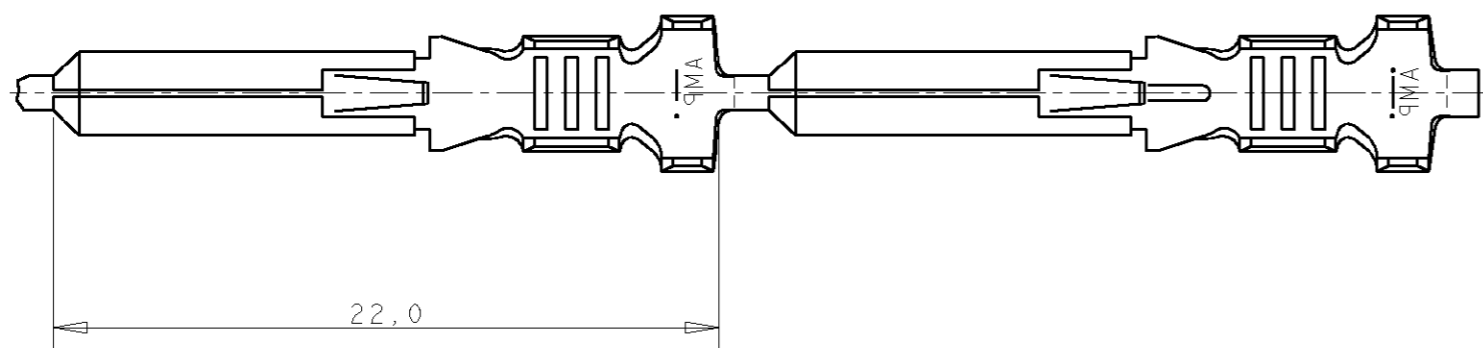
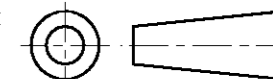


DO NOT SCALE  
DIMENSIONS IN INCH

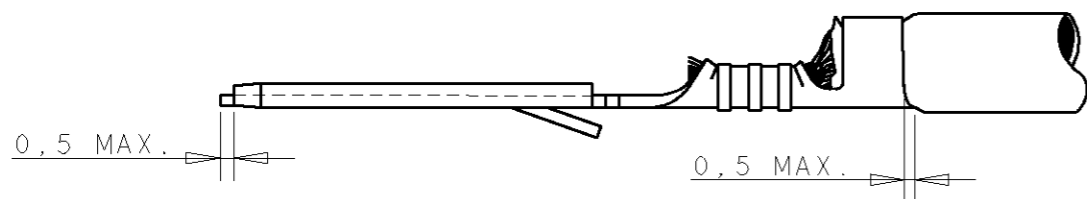
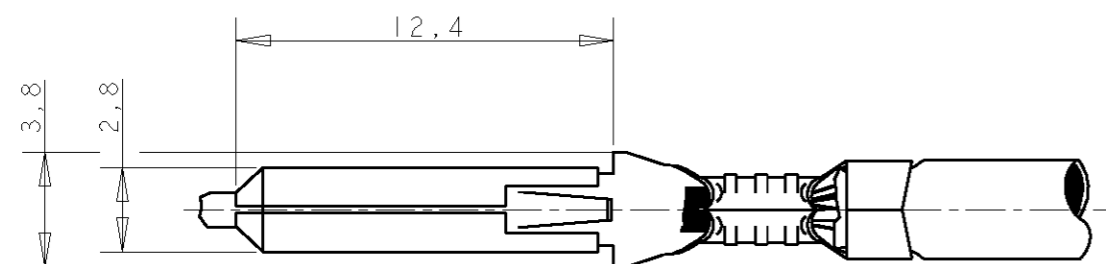
METRIC

THIRD ANGLE  
PROJECTION



1 OBSOLETE PARTS: OBSOLETE CIS STREAMLINING PER D.RENAUD/D.SINISI

GENERAL TOLERANCE  $\pm 0.3$



1	OBSOLETE	PRE-TINPLATED	BRASS	<del>160174-7</del>
		TIN	PHOSPH. BRONZE	<del>160174-6</del>
		-	PHOSPH. BRONZE	160174-5
1	OBSOLETE	NICKEL	BRASS	<del>160174-4</del>
	OBSOLETE	SILVER	BRASS	<del>160174-3</del>
		TIN	BRASS	160174-2
		-	BRASS	160174-1
		FINISH	MATERIAL	PARTNUMBER

CUSTOMER DRAWING FOR REFERENCE ONLY  
WILL NOT BE UPDATED

THIS DRAWING IS UNPUBLISHED  
RELEASED FOR PUBLICATION



NAME  
.110 SRS. FASTIN FASTON TAB

WIRE RANGE :  
0,3-0,56 mm<sup>2</sup>  
INSULATION RANGE :  
1,4-2,2 DIA.

<b>D3</b>	<b>REVISED PER ECO-11-005140</b>	<b>RK</b>	<b>HMR</b>	<b>01APR11</b>
LTR.	REVISION RECORD	DR.	CHK.	DATE
DR.:	J.v.LIEMPT	CHK.:	A.BIJNEN	APP.:
DATE:	03 JAN 97	DATE:	-	DATE:

DWG.No.	RESTR. TO	REV.LTR.	SHEET
C-160174		D3	1 OF 1