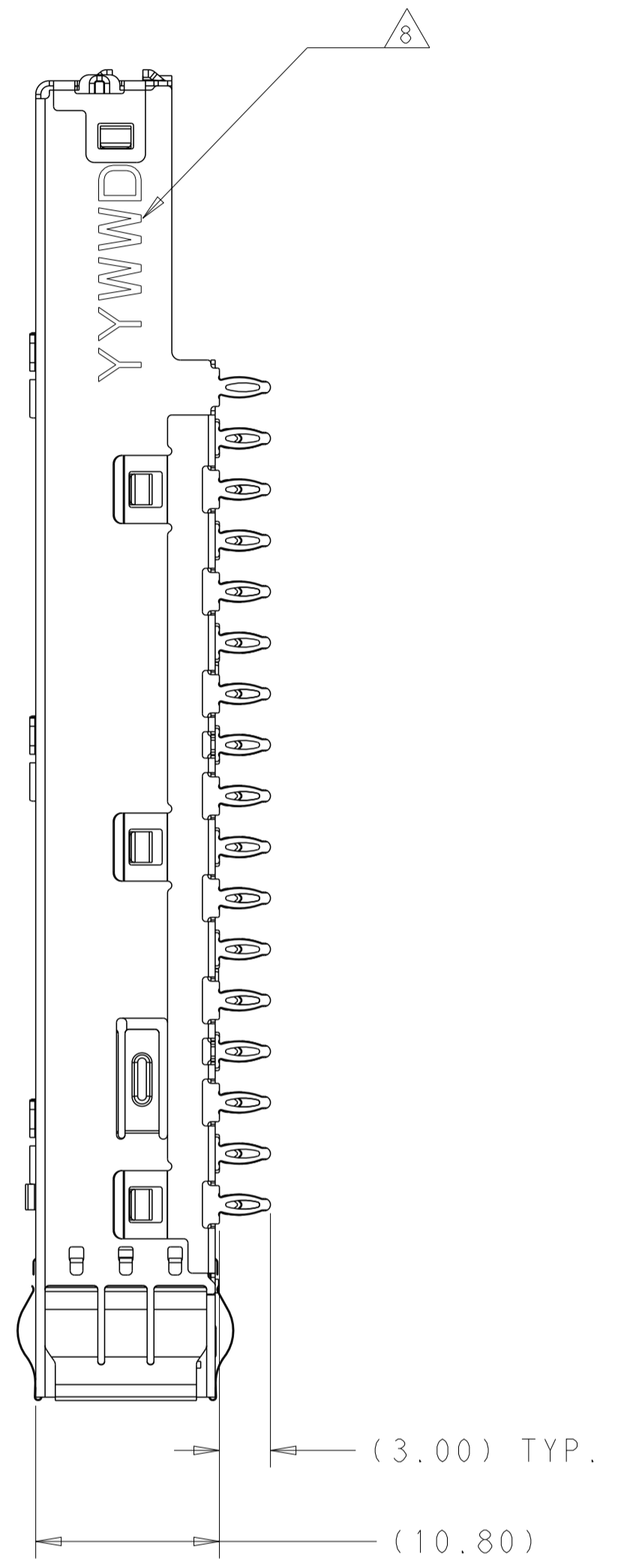
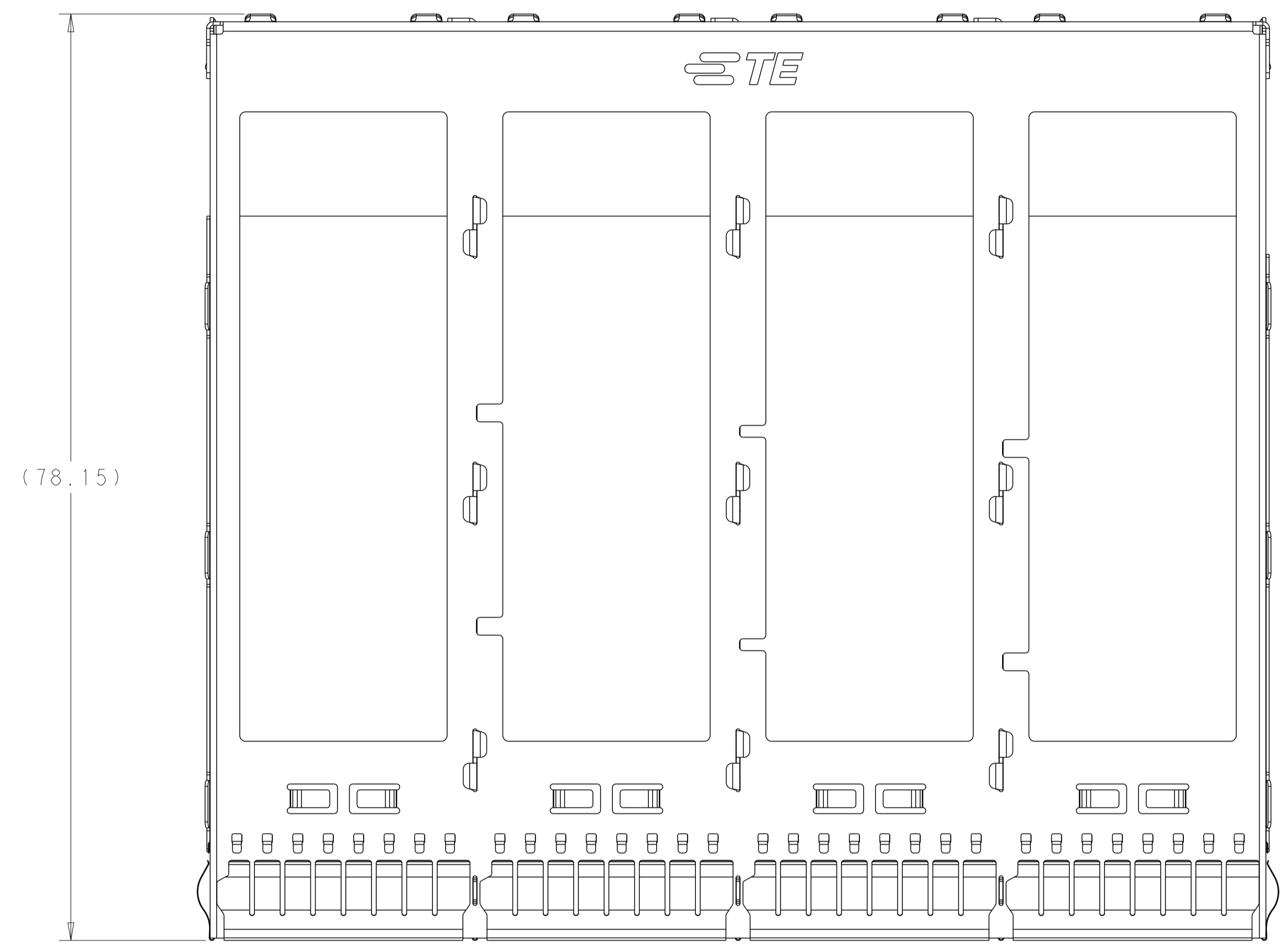
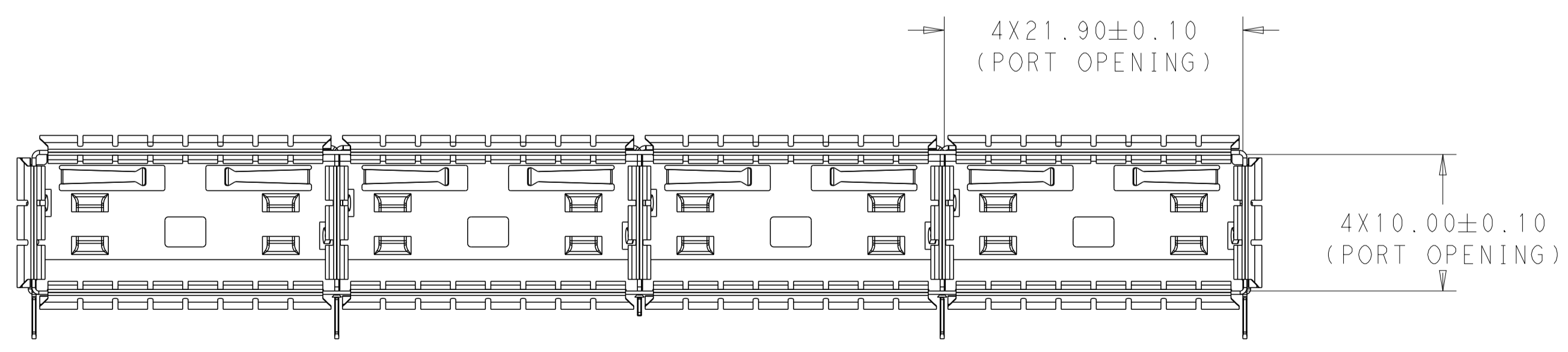


LOC	DIST	REVISIONS			
P	LYR	DESCRIPTION	DATE	DWN	APVD
1		PROPOSED	18DEC2014	CW	SH
3		UPDATE PCB HOLES AND BOTTOM EMI SPRING	24MAR2015	JW	SH
4		REVISE DRAWING	25MAY2015	AD	SH
5		REVISED PER ECN-22-167680	03AUG2022	AK	SZ



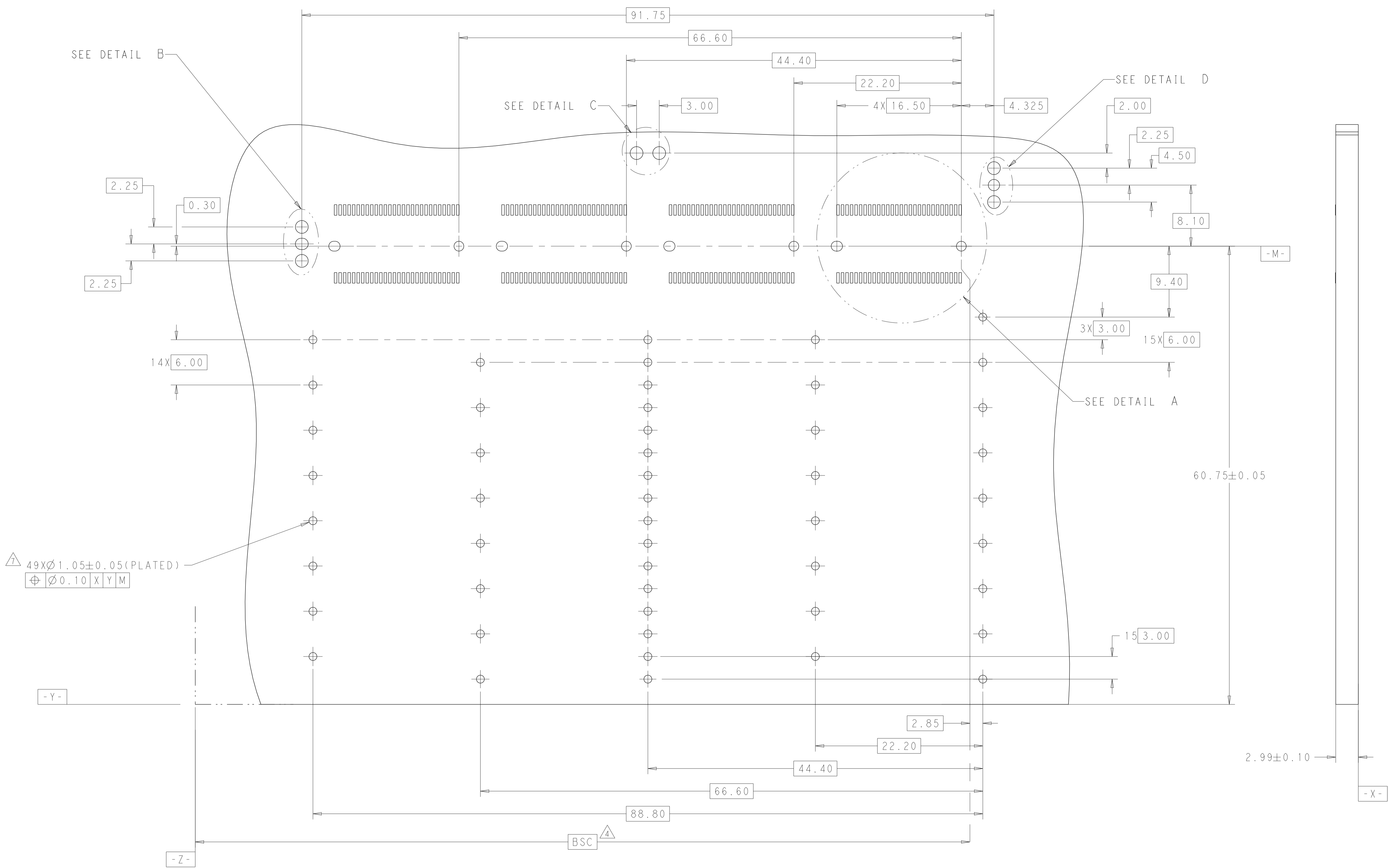
- △1 CAGE- 0.3MM THICK NICKEL SILVER ALLOY;  
EMI SPRING- COPPER ALLOY;
- △2 FINISH:  
EMI SPRING- 1.27um NICKEL PALTING OVER ALL;
- 3 MATES WITH CFP MSA COMPLIANT TRANSCEIVERS.
- △4 DATUM AND BASIC DIMENSION ESTABLISHED BY CUSTOMER.
- 5 MINIMUM PC BOARD THICKNESS: SIGLE SIDE APPLICATIONS=3.0±0.10mm.  
BELLY TO BELLY APPLICATIONS=3.0mm MIN.
- △6 PADS AND VIAS CHASSIS GROUND;
- △7 REFERENCE APPLICATION SPEC 114-XXXX, HOLE A, FOR  
RECOMMENDED DRILL HOLE DIAMETER AND PLATING THICKNESS.
- △8 DATE CODE MAKED IN APPROXIMATE AREA



OBSOLETE 2289496-2  
PART NUMBER

THIS DRAWING IS A CONTROLLED DOCUMENT.		DWN CHARLES WAN 17DEC2014	TE Connectivity
		CHK SEAN HAN 17DEC2014	
DIMENSIONS:		APVD -	NAME CFP4 1x4 HARDWARE ASSEMBLY
mm	0 PLC ±	PRODUCT SPEC -	
	1 PLC ±0.25	APPLICATION SPEC -	
	2 PLC ±0.15		
	3 PLC ±0.10		
	4 PLC ±		
	ANGLES ±		
	FINISH ±		
MATERIAL -		WEIGHT -	RESTRICTED TO -
		Customer Drawing	SCALE 4:1 SHEET 1 OF 5 REV 5

LOC	DIST	REVISIONS			
P	LTN	DESCRIPTION	DATE	DMN	APVD
-	-	SEE SHEET 1	-	-	-

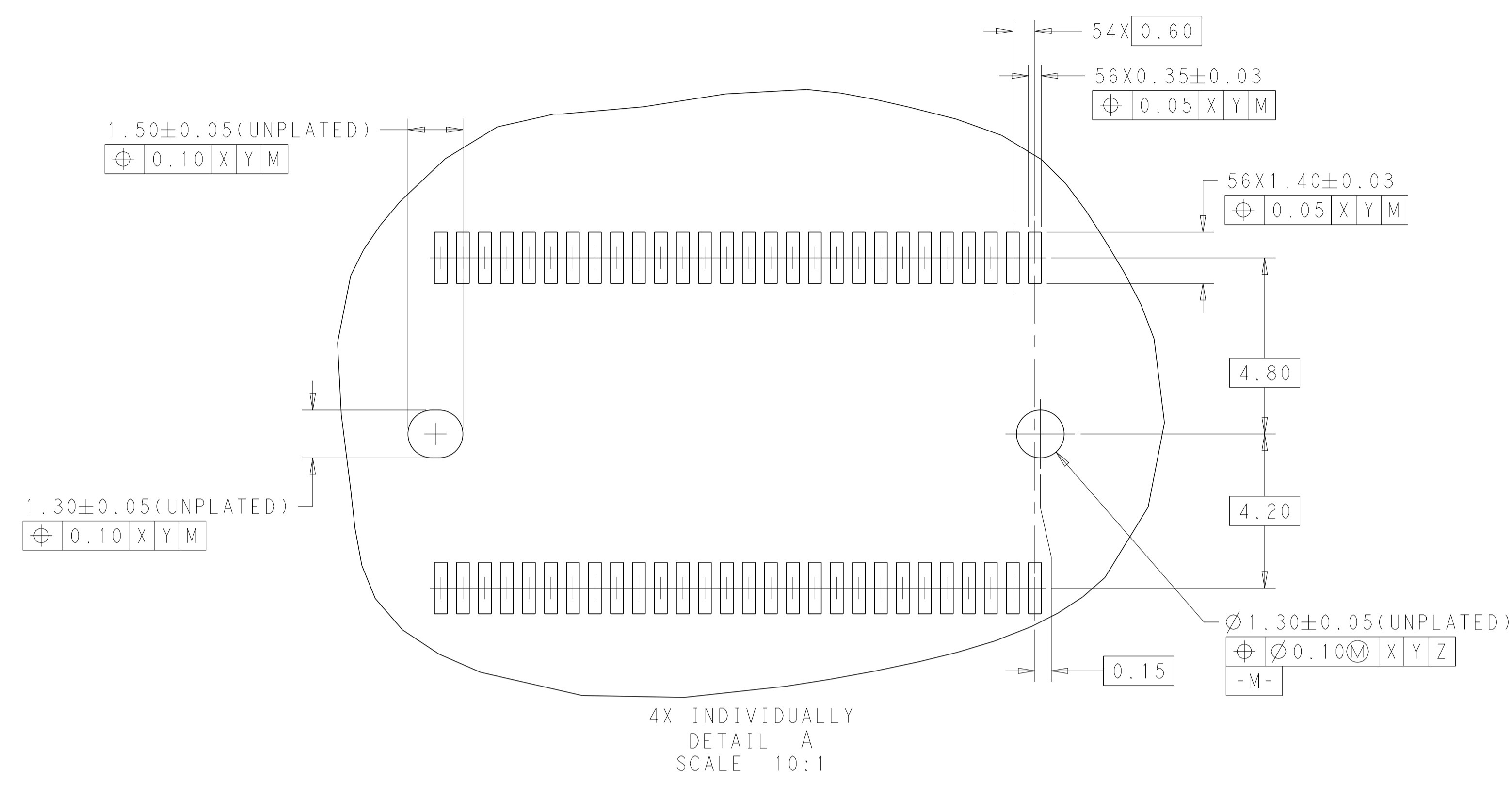


49xØ1.05±0.05 (PLATED)  
 Ø0.10 X Y M

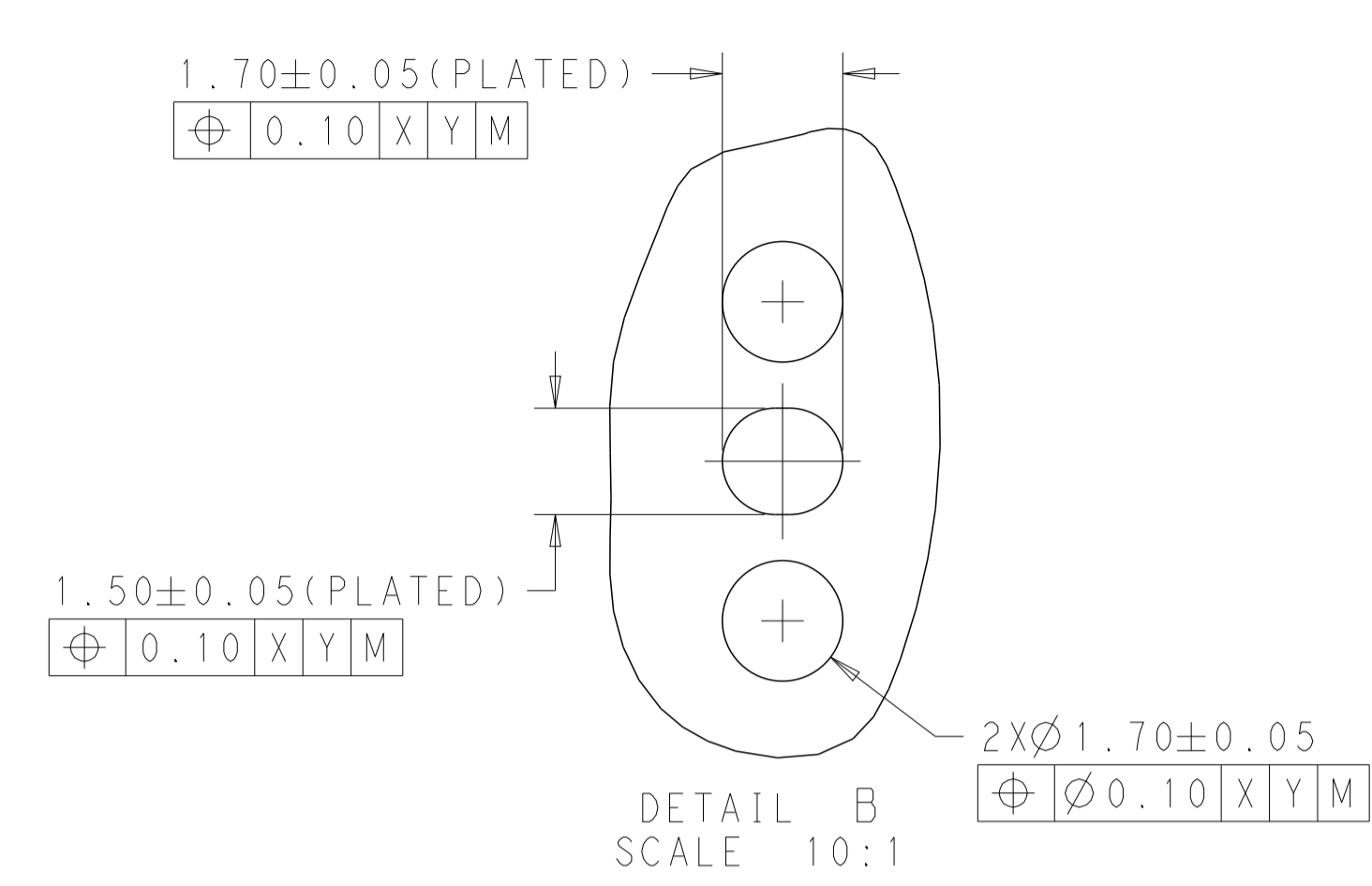
RECOMMENDED PCB LAYOUT  
 SINGLE SIDED APPLICATION  
 SCALE 4:1

THIS DRAWING IS A CONTROLLED DOCUMENT.		DMN: CHARLES WAN 17DEC2014	TE Connectivity
DIMENSIONS: mm		CHK: SEAN HAN 17DEC2014	
TOLERANCES UNLESS OTHERWISE SPECIFIED: 0 PLC ±0.25 1 PLC ±0.15 2 PLC ±0.10 3 PLC ±0.10 4 PLC ±0.10 ANGLES ±°		APVD: -	NAME: CFP4 1x4 HARDWARE ASSEMBLY
MATERIAL: -		FINISH: -	RESTRICTED TO: -
Customer Drawing		SCALE: 1:1	SHEET 2 OF 5 REV 5

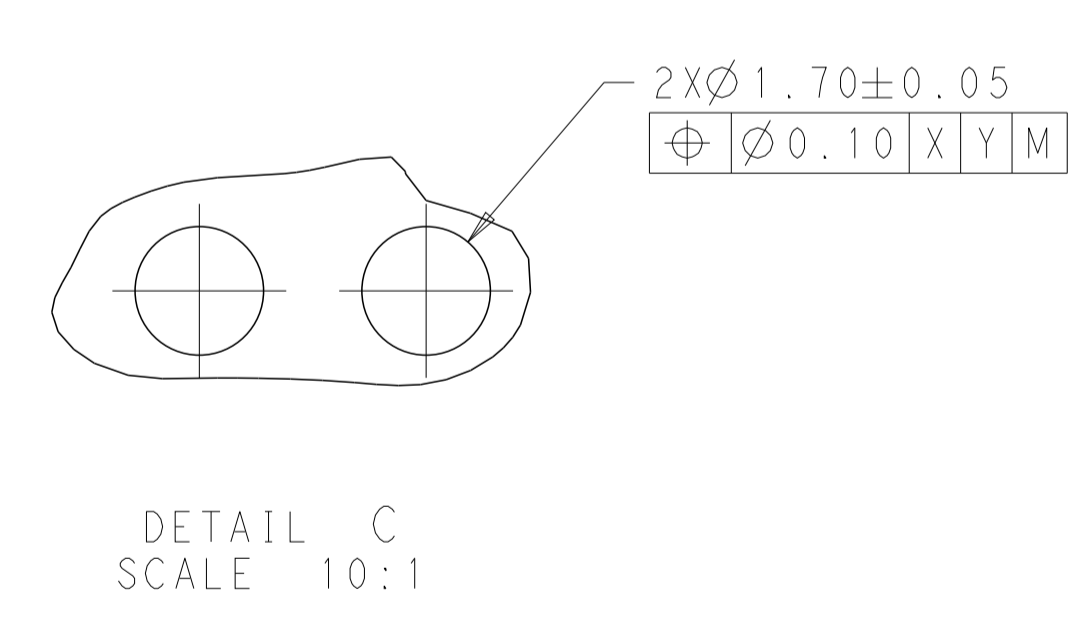
LOC	DIST	REVISIONS			
P	LTN	DESCRIPTION	DATE	DMN	APVD
-	-	SEE SHEET 1	-	-	-



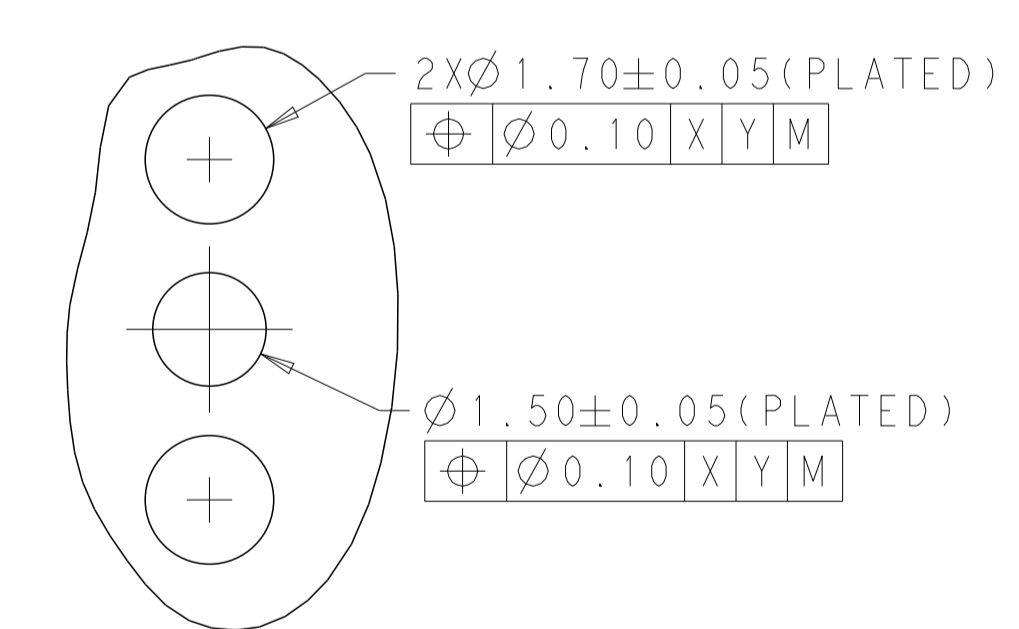
4X INDIVIDUALLY  
 DETAIL A  
 SCALE 10:1



DETAIL B  
 SCALE 10:1



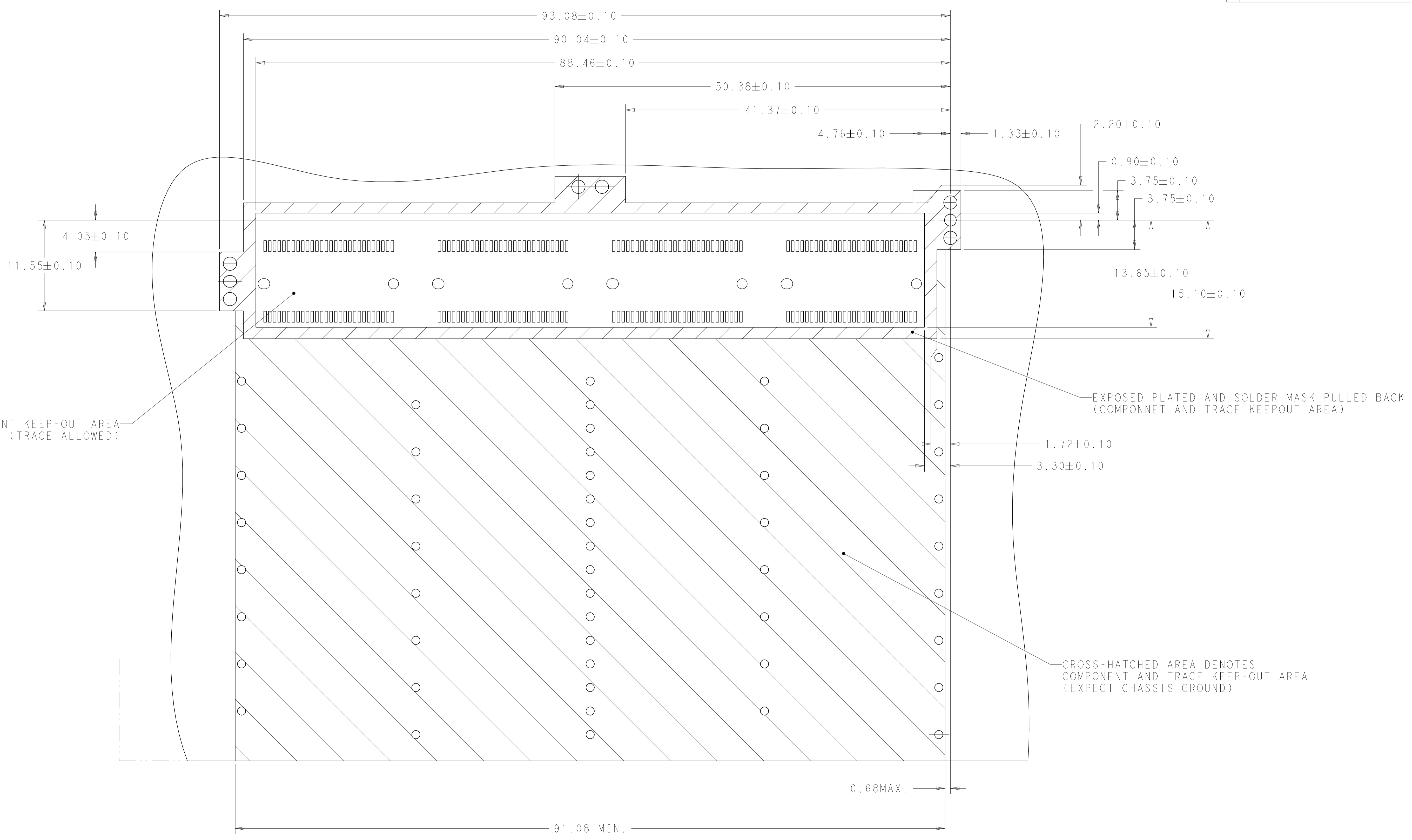
DETAIL C  
 SCALE 10:1



DETAIL D  
 SCALE 10:1

THIS DRAWING IS A CONTROLLED DOCUMENT.		DMN: CHARLES WAN 17DEC2014	TE Connectivity
DIMENSIONS: mm		CHK: SEAN HAN 17DEC2014	
TOLERANCES UNLESS OTHERWISE SPECIFIED: 0 PLC $\pm 0.25$ 1 PLC $\pm 0.15$ 2 PLC $\pm 0.10$ 3 PLC $\pm 0.05$ 4 PLC $\pm 0.02$ ANGLES $\pm 0.1$		APVD: -	NAME: CFP4 1x4 HARDWARE ASSEMBLY
MATERIAL: -		FINISH: -	RESTRICTED TO: -
Customer Drawing		SCALE: 1:1	SHEET 3 OF 5 REV 5

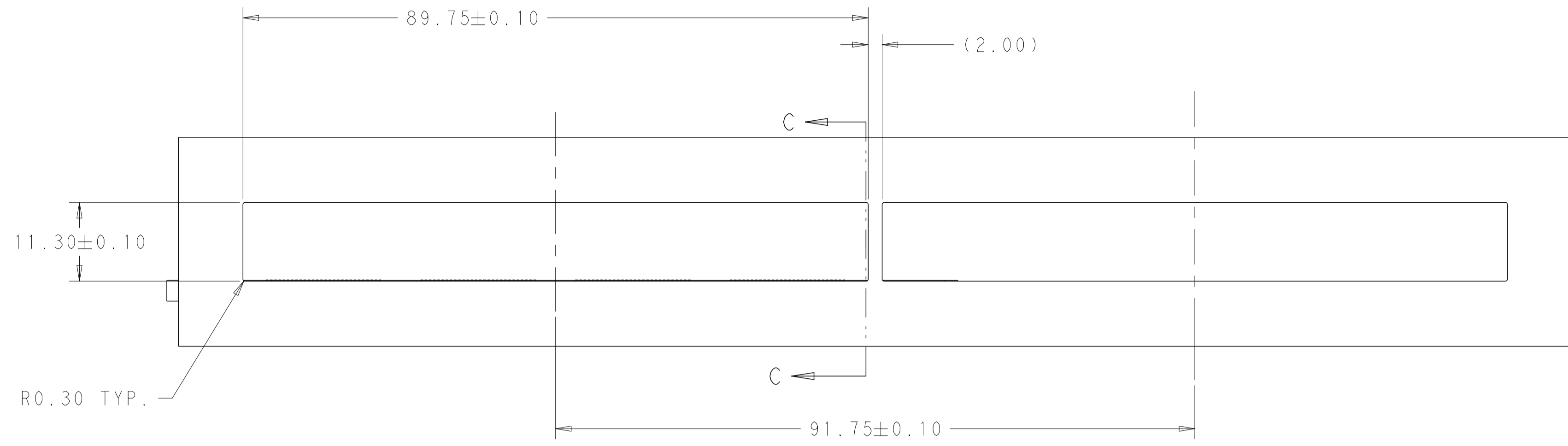
LOC	DIST	REVISIONS			
P	LTN	DESCRIPTION	DATE	DMN	APVD
-	-	SEE SHEET 1	-	-	-



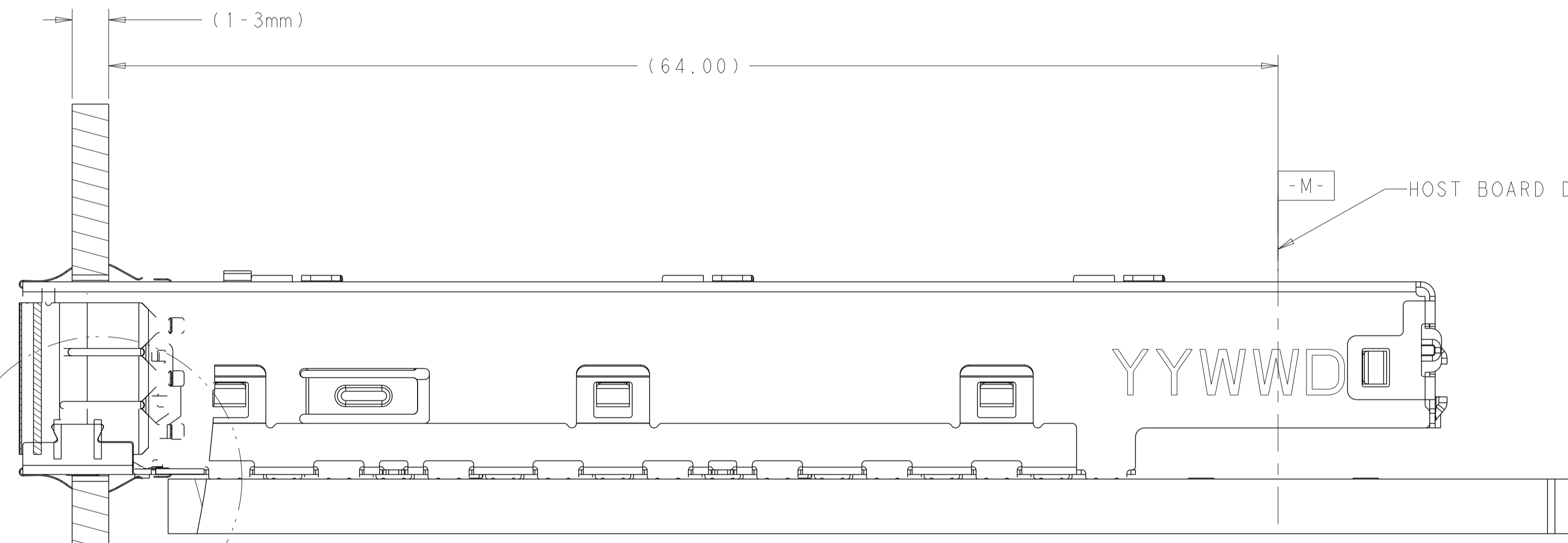
SCALE 4:1

THIS DRAWING IS A CONTROLLED DOCUMENT.		DMN: CHARLES WAN 17DEC2014	TE Connectivity
DIMENSIONS: mm		CHK: SEAN HAN 17DEC2014	
TOLERANCES UNLESS OTHERWISE SPECIFIED: 0 PLC ±0.25 1 PLC ±0.15 2 PLC ±0.10 3 PLC ±0.10 4 PLC ±0.10 ANGLES ±° FINISH ±		APVD: -	NAME: CFP4 1x4 HARDWARE ASSEMBLY
MATERIAL: -		PRODUCT SPEC: -	APPLICATION SPEC: -
-		WEIGHT: -	RESTRICTED TO: -
Customer Drawing		SIZE: A1	CAGE CODE: 2289496
-		SCALE: 1:1	SHEET 4 OF 5
-		REV: 5	REV: 5

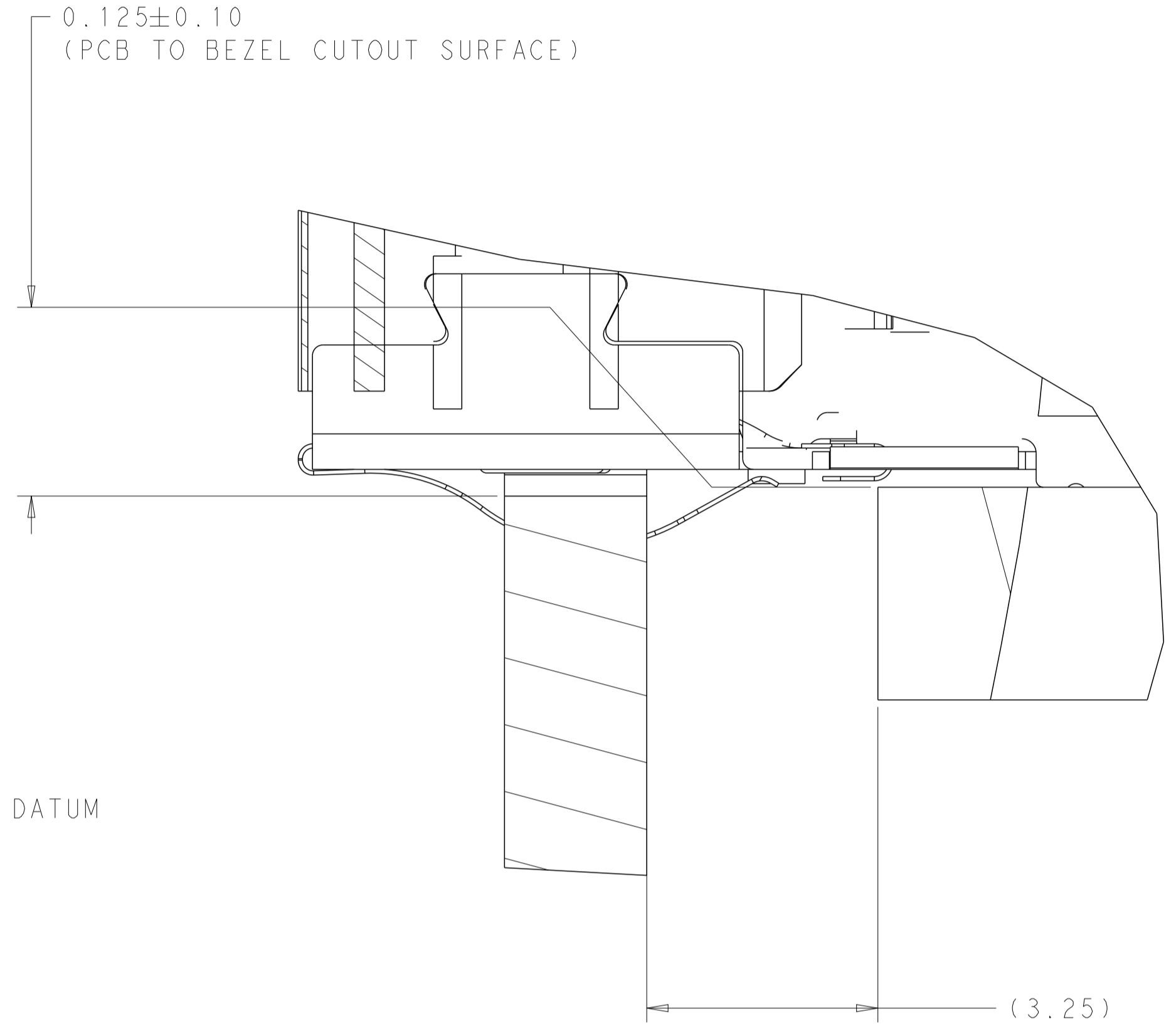
LOC		DIST		REVISIONS			
P	LTN	DESCRIPTION	DATE	DMN	APVD		
-	-	SEE SHEET 1	-	-	-		



SCALE 2:1



SECTION C-C  
SCALE 5:1



DETAIL E  
SCALE 15:1

SEE DETAIL E

THIS DRAWING IS A CONTROLLED DOCUMENT.		OWN: CHARLES WAN 17DEC2014	TE Connectivity CFP4 1x4 HARDWARE ASSEMBLY	
		CHK: SEAN HAN 17DEC2014		
DIMENSIONS:		TOLERANCES UNLESS OTHERWISE SPECIFIED:		NAME
mm	0 PLC ±	1 PLC ±0.25	2 PLC ±0.15	3 PLC ±0.10
	4 PLC ±	ANGLES ±	FINISH	PRODUCT SPEC
MATERIAL				APPLICATION SPEC
				SIZE CAGE CODE DRAWING NO
				RESTRICTED TO
				A100779C=2289496
				Customer Drawing
				SCALE 1:1 SHEET 5 OF 5 REV 5