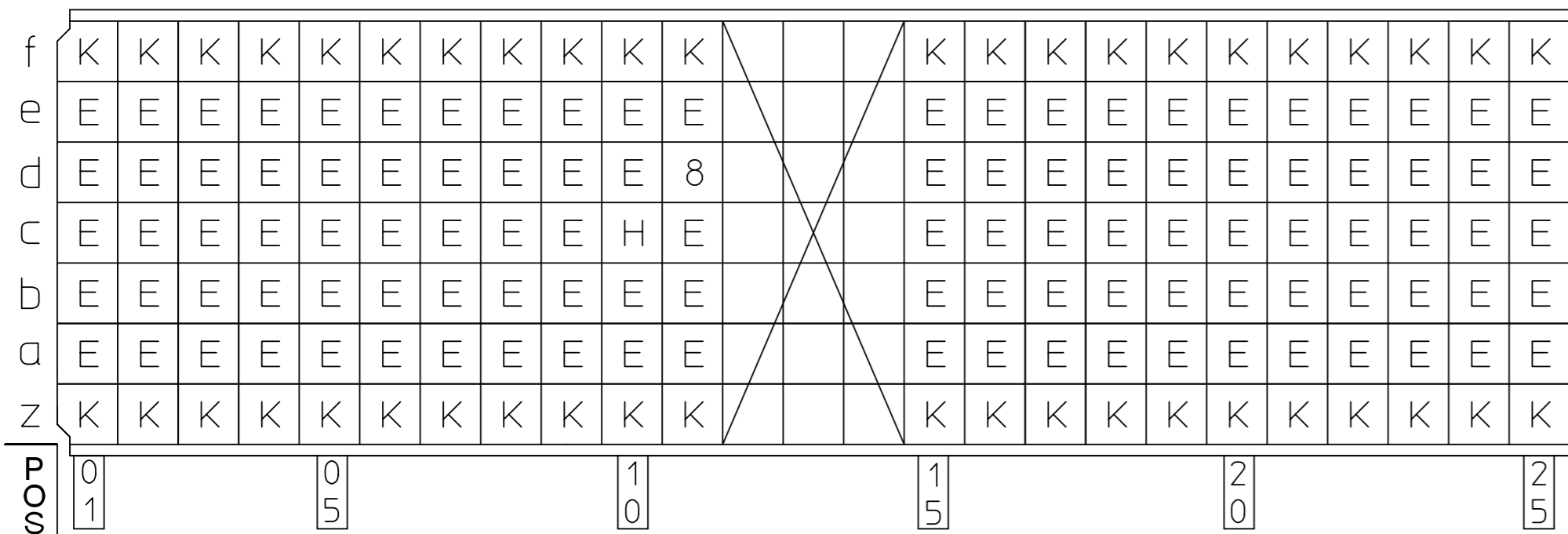
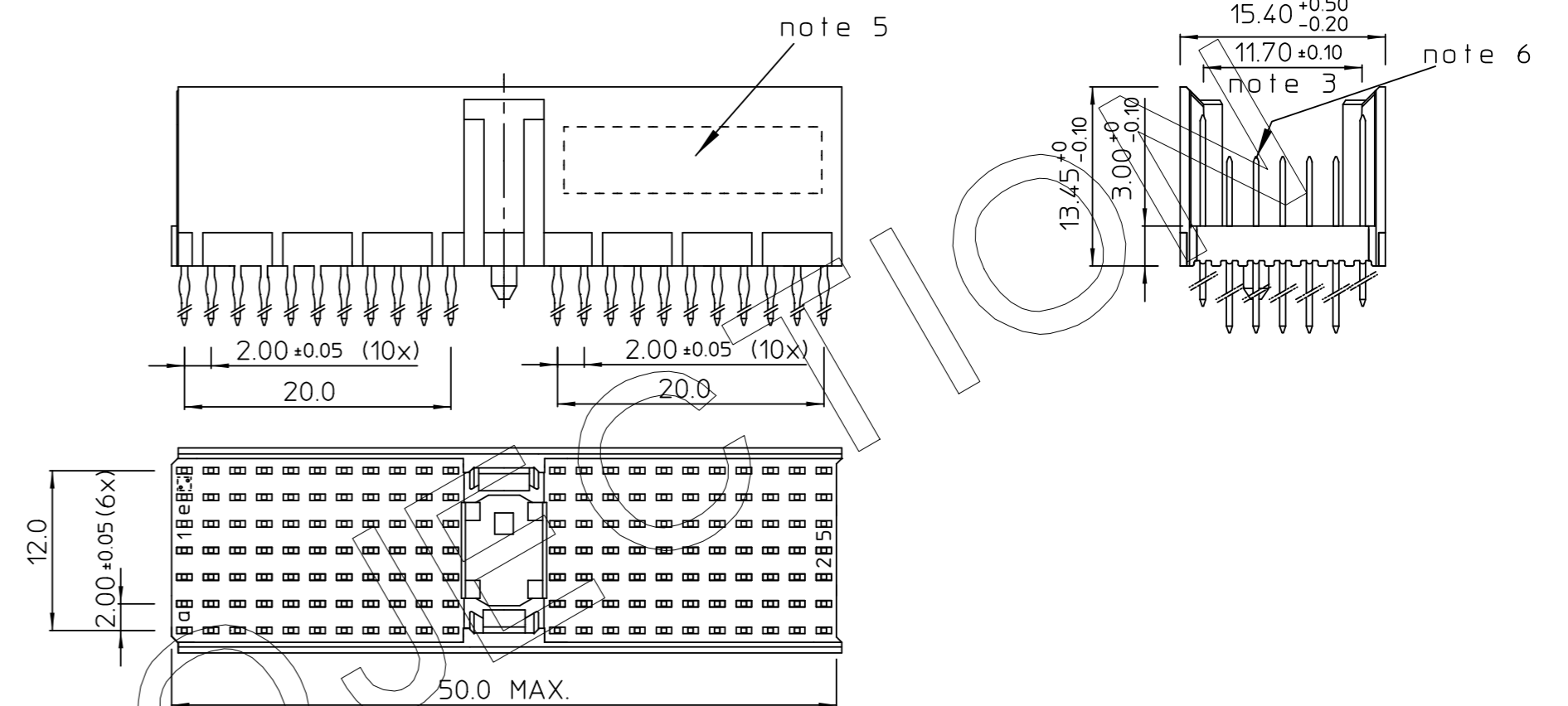


REV.	DATE	DESCRIPTION	BY	C'K'D'
A	14-09-01	CONVERSION REVISION 02	KN	

LOADING PATTERN MATING SIDE

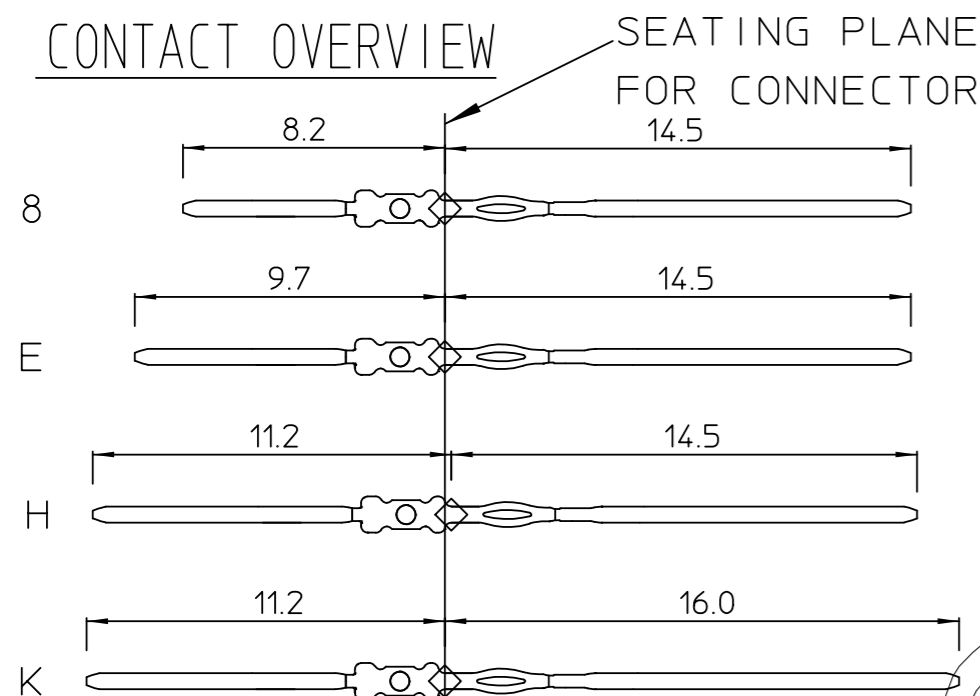


LOADED CONNECTOR ASSEMBLY (FOR EXAMPLE)



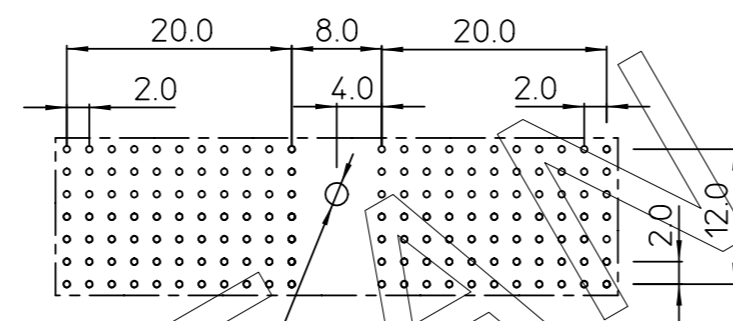
SHEET NR. :

CONTACT OVERVIEW



SEATING PLANE FOR CONNECTOR

LAY-OUT P.C.B.-HOLE



PLATING TABLE

HM2P--P----- PLATING CODE (DIGIT 13 AND 14)

CODE	CONTACT AREA		
E9	1.00 μ Au min over 1.3 μ Ni min.	SHORT / WIRE WRAP CONTACTS	PERFORMANCE LEVEL 1 (500 mating cycles)
N9	0.80 μ Au min over 1.3 μ Ni min.	SHORT / WIRE WRAP CONTACTS	PERFORMANCE LEVEL 2 (250 mating cycles)
Z1	0.40 μ Au min over 1.3 μ Ni min.	SHORT / WIRE WRAP CONTACTS	PERFORMANCE LEVEL 3 (50 mating cycles)
GL	1.00 μ Au min over 1.3 μ Ni min.	REAR PLUG-UP CONTACTS	PERFORMANCE LEVEL 1 (500 mating cycles)
GF	0.80 μ Au min over 1.3 μ Ni min.	REAR PLUG-UP CONTACTS	PERFORMANCE LEVEL 2 (250 mating cycles)
GC	0.40 μ Au min over 1.3 μ Ni min.	REAR PLUG-UP CONTACTS	PERFORMANCE LEVEL 3 (50 mating cycles)

RECOMMENDED PLATED THROUGH HOLE DIMENSIONS

- * DIAM. DRILLED HOLE : 0.675/0.725
- * DIAM. FINISHED HOLE : 0.55/0.65
- * Cu THICKNESS : 25/50 μm.
- * SnPb THICKNESS : 4/10 μm.

NOTES

1. THIS PRODUCT IS CSA APPROVED.
2. THIS PRODUCT IS UL RECOGNIZED.
3. MEASURED AT THE BOTTOM.
4. MATERIAL CONTACT: PHOSPHORBRONZE
HOUSING: CREAM WHITE GLASFILLED POLYESTER UL-94V0
5. CONNECTOR PRINTED WITH P/N AND DATE CODE.
6. FOR ACTUAL CONTACT LOADINGS, SEE LOADING PATTERN MATING SIDE.

THIS IS OUR EXCLUSIVE PROPERTY. IT IS NOT TO BE COPIED, REPRINTED OR DISCLOSED TO A THIRD PARTY. NOR USED FOR MANUFACTURING WITHOUT OUR WRITTEN CONSENT. AND HAS TO BE RETURNED TO US IN CASE OF NO USAGE

DIT IS ONZE EIGENDOM EN MAG NOCH NAGEMAAKT. HERDRUKT. OVERGEMAAKT AAN DERDEN. NOCH VOOR FABRIKATIE GEBRUIKT WORDEN. ZONDER ONZE SCHRIFTELIJKE TOELATING. BIJ NIET GEBRUIK IS TERUGZENDING VERPLICHT.

1DEC ±0,2 1DEC	APPR.	DATE	SIGN.	LOADING PATTERN OVERVIEW		
2DEC ±0,1 2DEC						
ANGLES ±1° HOEKEN	DRAFT	14-09-98	M.Frel	CAT. No. HM2P07PMG1A4--		
WE RESERVE THE RIGHT TO CHANGE DIMENSIONS OR REQUIREMENTS WITHOUT PRIOR NOTICE.	CHECKED			FCI	SCALE	
	PROD. MGR.					FCI MECHELEN N.V. A. SPINOYSTRAAT 8, 2800 MECHELEN
	PR. ENG. MGR.					
ALL DIMENSIONS IN MM	PR. MGT. MGR.			BS, C , 201843, 645		
	REFERENCES / REFERENTIES			DRAWING No. CUSTOMER DRAWING		
				A		
ALLE AFMETINGEN IN MM				REVISION		

BS, C , 201843, 645 A

DRAWING No. CUSTOMER DRAWING REVISION

PDM: Rev:A STATUS: Released Date: Apr 09, 2002