

注記  
NOTES

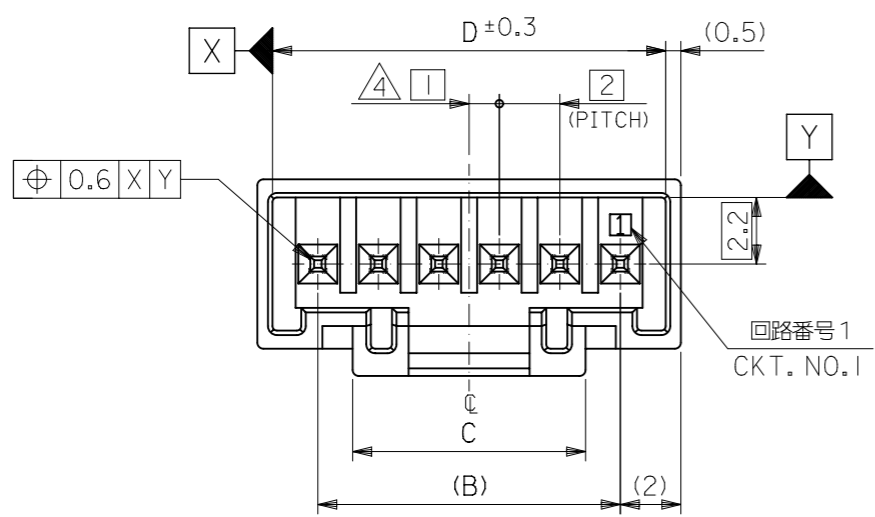
- 材料 MATERIAL  
ピン : 黄銅, 銅下地 錫メッキ  
PIN : BRASS, TIN OVER Cu PLATED  
ヘッダー : 66ナイロン (ガラス入り: 20%), UL94V-0  
(色: 自然色もしくは染色)  
HEADER : NYLON66(G.F.: 20%), UL94V-0  
(COLOR : NATURAL OR DYED COLOR )
- 嵌合相手 : 51216シリーズ  
MATE WITH : 51216 SERIES
- ソルダーテールキックは、両端のピンのみとする。  
KINK TO BE APPLIED FOR 2 PINS AT BOTH ENDS.
- 偶数極に適用。  
APPLY EVEN CIRCUIT PRODUCTS.
- 本製品は 55755\*\*10 の鉛フリー品である。  
THIS PRODUCT IS LEAD FREE OF 55755\*\*10.
- ELV及びRoHS適合品。  
ELV AND RoHS COMPLIANT.

5	6	2	6	557550214	557550219	2
D	C	B	A	MATERIAL NO. BLUE	MATERIAL NO. NATURAL	CKT.
TRAY PACKAGE						
オーダー番号 ORDER NO.						
CONNECTOR SERIES NO. 55755****						

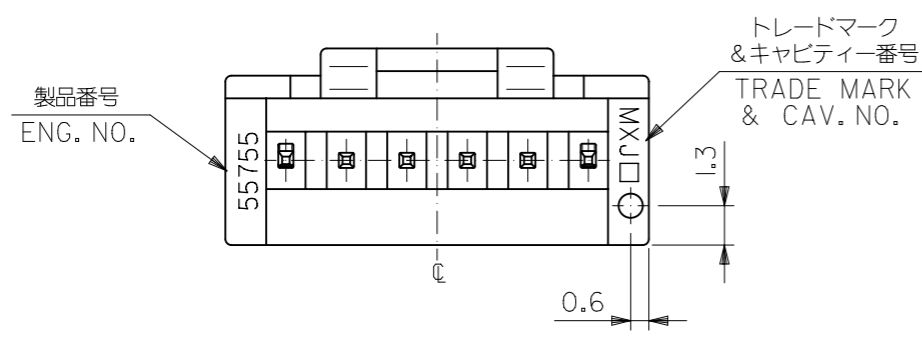
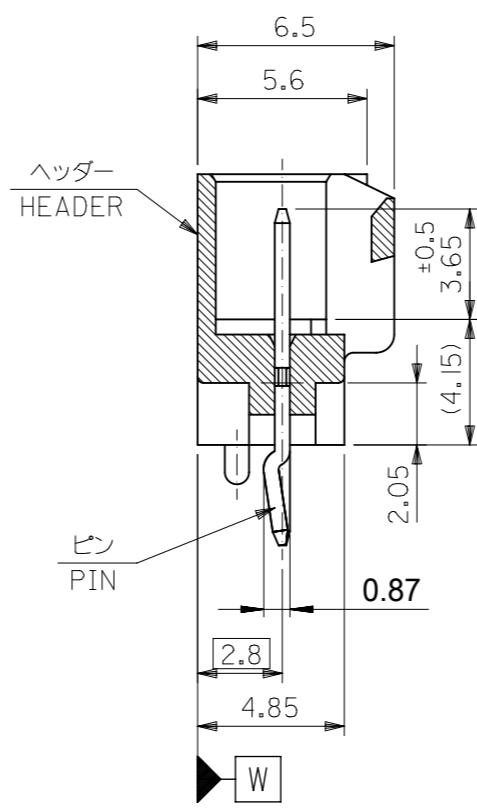
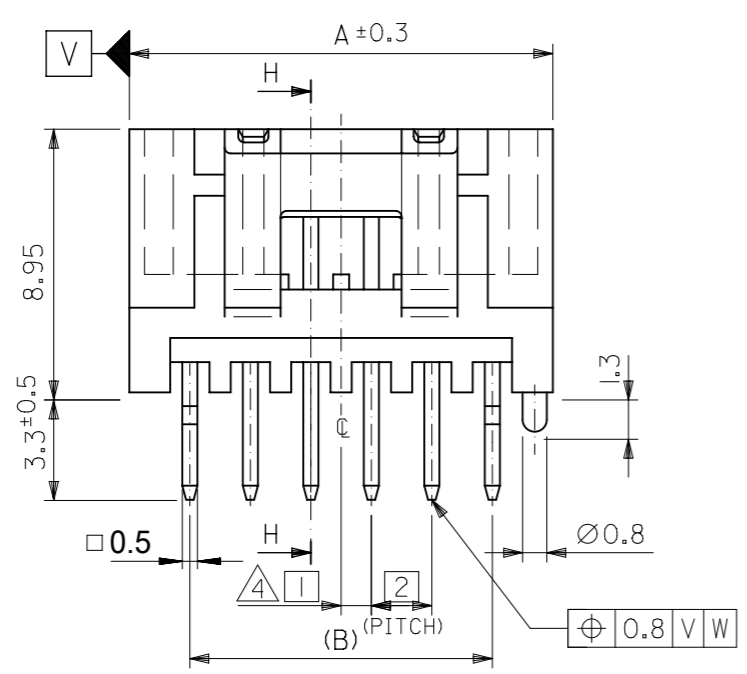
GENERAL TOLERANCES (UNLESS SPECIFIED)	
10 <sup>UNDER</sup>	±0.2
10 <sup>OVER</sup> 30 <sup>UNDER</sup>	±0.25
30 <sup>OVER</sup>	±0.3
ANGULAR ±3°	
DRAFT WHERE APPLICABLE MUST REMAIN WITHIN DIMENSIONS	

THIS DRAWING CONTAINS INFORMATION THAT IS PROPRIETARY TO MOLEX ELECTRONIC TECHNOLOGIES, LLC AND SHOULD NOT BE USED WITHOUT WRITTEN PERMISSION

DIMENSION UNITS mm	SCALE 4:1	CURRENT REV DESC: OBSOLETE PART NUMBER AS PER PCN#508517	<b>molex</b>		
GENERAL TOLERANCES (UNLESS SPECIFIED)					
4 PLACES ±	MM	INCH	2.0 MM WIRE TO BOARD CONN. HEADER ASSY (ST) -LEAD FREE-		
3 PLACES ±			PRODUCT CUSTOMER DRAWING		
2 PLACES ±			DOCUMENT NUMBER		
1 PLACE ±			SD-55755-005		
0 PLACES ±			DOC TYPE DOC PART REVISION		
ANGULAR TOL ± 3.0°			PSD 001 B		
DRAFT WHERE APPLICABLE MUST REMAIN WITHIN DIMENSIONS			SHEET NUMBER		
THIRD ANGLE PROJECTION			1 OF 3		
DRAWING			MATERIAL NUMBER		
A3-SIZE			SEE TABLE		
SERIES			CUSTOMER		
55755			GENERAL MARKET		



3 極以上品



31	7.7	28	32		557551519	15
29		26	30		1419	14
27		24	28		1319	13
25		22	26		1219	12
23		20	24		1119	11
21		18	22		1019	10
19		16	20		0919	9
17		14	18		0819	8
15		12	16		0719	7
13		10	14		0619	6
11		8	12		0519	5
9		6	10	557550413	0419	4
7	7.7	4	8		557550319	3
D	C	B	A	MATERIAL NO. YELLOW	MATERIAL NO. NATURAL	CKT.

TRAY PACKAGE  
 オーダー番号 ORDER NO.  
 CONNECTOR SERIES NO. 55755\*\*\*\*

THIS DRAWING CONTAINS INFORMATION THAT IS PROPRIETARY TO MOLEX ELECTRONIC TECHNOLOGIES, LLC AND SHOULD NOT BE USED WITHOUT WRITTEN PERMISSION

GENERAL TOLERANCES (UNLESS SPECIFIED)	
10 <sup>UNDER</sup>	±0.2
10 <sup>OVER</sup> 30 <sup>UNDER</sup>	±0.25
30 <sup>OVER</sup>	±0.3
ANGULAR ±3°	
DRAFT WHERE APPLICABLE MUST REMAIN WITHIN DIMENSIONS	

DIMENSION UNITS	SCALE
mm	4:1
GENERAL TOLERANCES (UNLESS SPECIFIED)	
	MM
4 PLACES	±
3 PLACES	±
2 PLACES	±
1 PLACE	±
0 PLACES	±
ANGULAR TOL	± 3.0°
DRAFT WHERE APPLICABLE MUST REMAIN WITHIN DIMENSIONS	

CURRENT REV DESC: OBSOLETE PART NUMBER AS PER PCN#508517

EC NO: 667105  
 DRWN: SUGEEB  
 CHK'D: GGA  
 APPR: GGA

INITIAL REVISION:  
 DRWN: M.NABEI  
 APPR: N.UKITA

2021/05/29  
 2021/06/29  
 2021/06/29

2005/01/24  
 2005/01/24

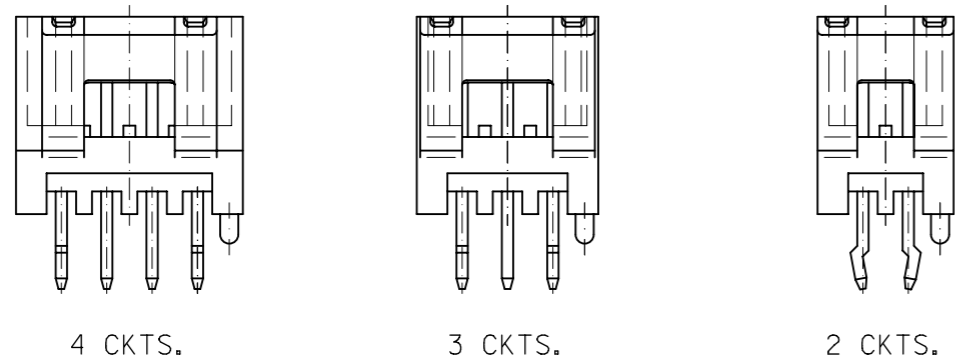
**molex**

2.0 MM WIRE TO BOARD  
 CONN. HEADER ASSY (ST) -LEAD FREE-

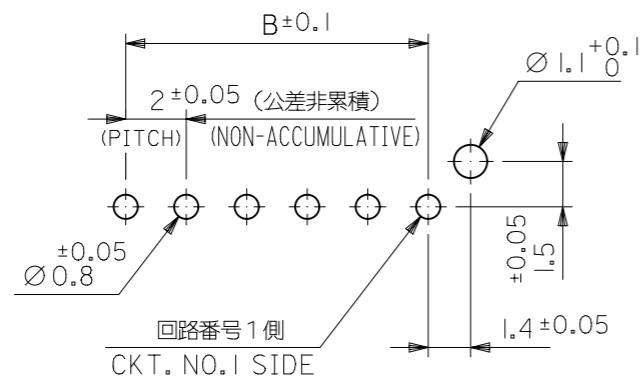
PRODUCT CUSTOMER DRAWING

DOCUMENT NUMBER: SD-55755-005  
 DOC TYPE: PSD  
 DOC PART: 001  
 REVISION: B

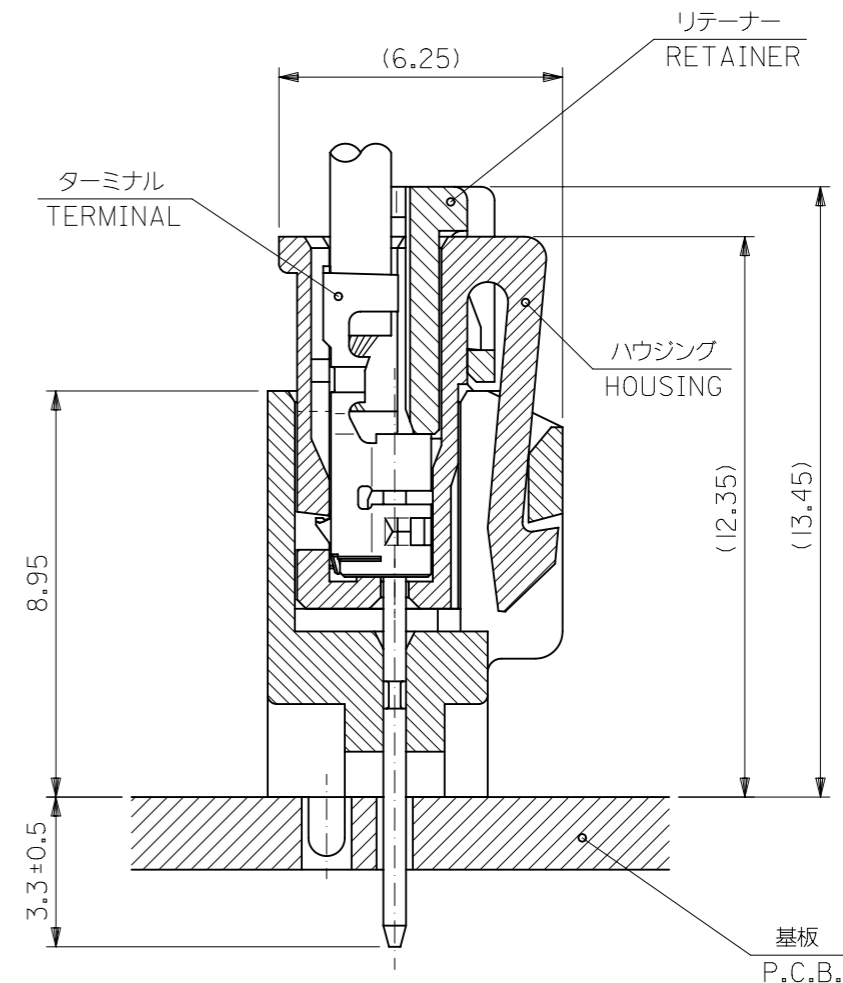
MATERIAL NUMBER: SEE TABLE  
 CUSTOMER: GENERAL MARKET  
 SHEET NUMBER: 2 OF 3



極数レイアウト図  
LAYOUT OF EACH CKTS.



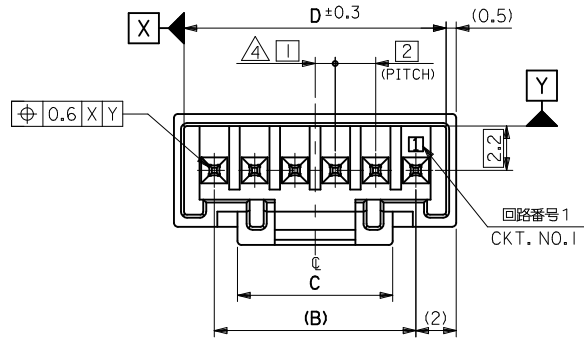
基板取付穴推奨寸法 (マウント面)  
RECOMMENDED P.C.BOARD  
HOLE DIMENSION  
(MOUNTING SIDE)  
( $t = 1.6$ )



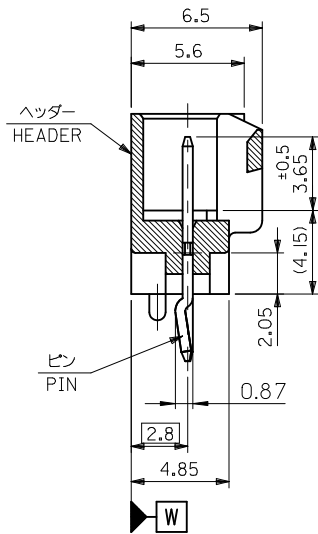
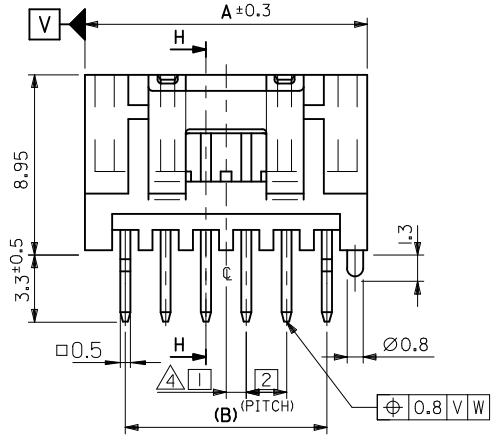
嵌合断面図 (参考)  
MATED DRAWING (REF.)

THIS DRAWING CONTAINS INFORMATION THAT IS PROPRIETARY TO MOLEX ELECTRONIC TECHNOLOGIES, LLC AND SHOULD NOT BE USED WITHOUT WRITTEN PERMISSION

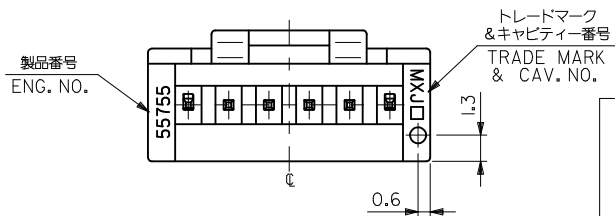
DIMENSION UNITS		SCALE		CURRENT REV DESC: OBSOLETE PART NUMBER AS PER PCN#508517			
mm		4:1		<b>molex</b> 2.0 MM WIRE TO BOARD CONN. HEADER ASSY (ST) -LEAD FREE- PRODUCT CUSTOMER DRAWING			
GENERAL TOLERANCES (UNLESS SPECIFIED)							
GENERAL TOLERANCES (UNLESS SPECIFIED)		MM	INCH	EC NO: 667105	2021/05/29	DOC TYPE	DOC PART
10 <sup>UNDER</sup>	±0.2	4 PLACES	±	DRWN: SUGEEB	2021/06/29	PSD	001
10 <sup>OVER</sup> 30 <sup>UNDER</sup>	±0.25	3 PLACES	±	CHK'D: GGA	2021/06/29	REVISION	
30 <sup>OVER</sup>	±0.3	2 PLACES	±	APPR: GGA	2021/06/29	SD-55755-005	
ANGULAR ±3°		1 PLACE	±	INITIAL REVISION:	2005/01/24	MATERIAL NUMBER	
		0 PLACES	±	DRWN: M.NABEI	2005/01/24	CUSTOMER	
DRAFT WHERE APPLICABLE MUST REMAIN WITHIN DIMENSIONS		ANGULAR TOL	± 3.0°	APPR: N.UKITA	2005/01/24	GENERAL MARKET	
		THIRD ANGLE PROJECTION		DRAWING	SERIES	SHEET NUMBER	
				A3-SIZE	55755	3 OF 3	



3極以上品

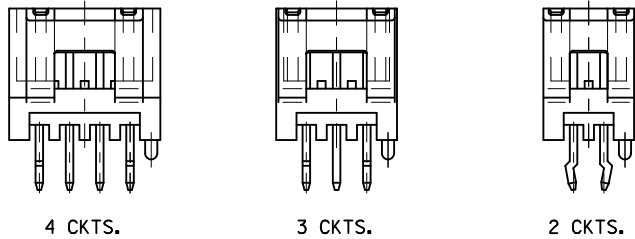


SECT H-H

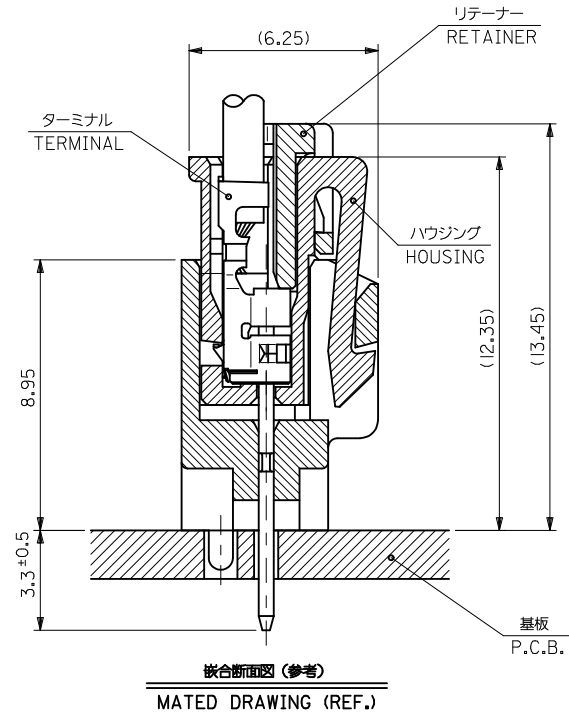
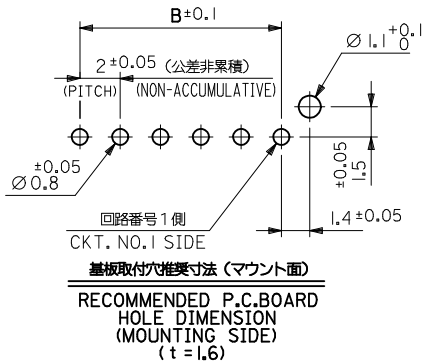


31	7.7	28	32		557551519	15
29		26	30		1419	14
27		24	28		1319	13
25		22	26		1219	12
23		20	24		1119	11
21		18	22		1019	10
19		16	20		0919	9
17		14	18		0819	8
15		12	16		0719	7
13		10	14	557550613	0619	6
11		8	12		0519	5
9		6	10	557550413	0419	4
7	7.7	4	8		557550319	3
D	C	B	A	MATERIAL NO. YELLOW	MATERIAL NO. NATURAL	CKT.
TRAY PACKAGE						
オーダー番号 ORDER NO.						
CONNECTOR SERIES NO. 55755****						

REVISED EC NO: J2012-0275 2011/08/24 DRW: NESATO 2011/08/25 CHKD: KASAKAWA 2011/09/27 APPR: NUKITA	DESCRIPTION GENERAL TOLERANCES (UNLESS SPECIFIED)	10 UNDER	± 0.2	DIMENSION STYLE MM ONLY	SCALE 4:1	DESIGN UNITS METRIC	THIRD ANGLE PROJECTION
		10 OVER 30 UNDER	± 0.25				
		30 OVER	± 0.3				
		ANGULAR	± 3 °				
A	REV	DRAFT WHERE APPLICABLE MUST REMAIN WITHIN DIMENSIONS		DRAWN BY M. NABEI DATE '05/01/24			
				CHECKED BY K. TOYODA DATE '05/01/24		TITLE 2.0 MM WIRE TO BOARD CONN. HEADER ASSY (ST) -LEAD FREE-	
				APPROVED BY N. UKITA DATE '05/01/24		MOLEX INCORPORATED	
				MATERIAL NO. SEE CHART		DOCUMENT NO. SD-55755-005	
				THIS DRAWING CONTAINS INFORMATION THAT IS PROPRIETARY TO MOLEX INCORPORATED AND SHOULD NOT BE USED WITHOUT WRITTEN PERMISSION			
				SIZE A3		SHEET NO. 2 OF 3	



極数レイアウト図  
LAYOUT OF EACH CKTS.



REVISED EC NO: J2012-0275 2011/08/24 DRW: NESATO 2011/08/25 CHKD: KASAKAWA 2011/09/27 APPR: NUKITA	DESCRIPTION A	GENERAL TOLERANCES (UNLESS SPECIFIED)		DIMENSION STYLE MM ONLY	SCALE 4:1	DESIGN UNITS METRIC	THIRD ANGLE PROJECTION	
		10 UNDER	± 0.2	DRAWN BY M. NABEI	DATE '05/01/24	TITLE 2.0 MM WIRE TO BOARD CONN. HEADER ASSY (ST) -LEAD FREE-		
		10 OVER 30 UNDER	± 0.25	CHECKED BY K. TOYODA	DATE '05/01/24	MOLEX INCORPORATED		
		30 OVER	± 0.3	APPROVED BY N. UKITA	DATE '05/01/24	MATERIAL NO. SEE SHHE12	DOCUMENT NO. SD-55755-005	SHEET NO. 3 OF 3
ANGULAR ± 3 °		DRAFT WHERE APPLICABLE MUST REMAIN WITHIN DIMENSIONS		SIZE A3	THIS DRAWING CONTAINS INFORMATION THAT IS PROPRIETARY TO MOLEX INCORPORATED AND SHOULD NOT BE USED WITHOUT WRITTEN PERMISSION			