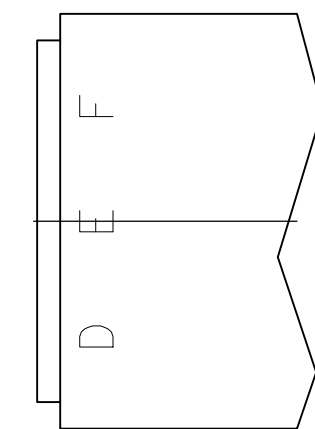
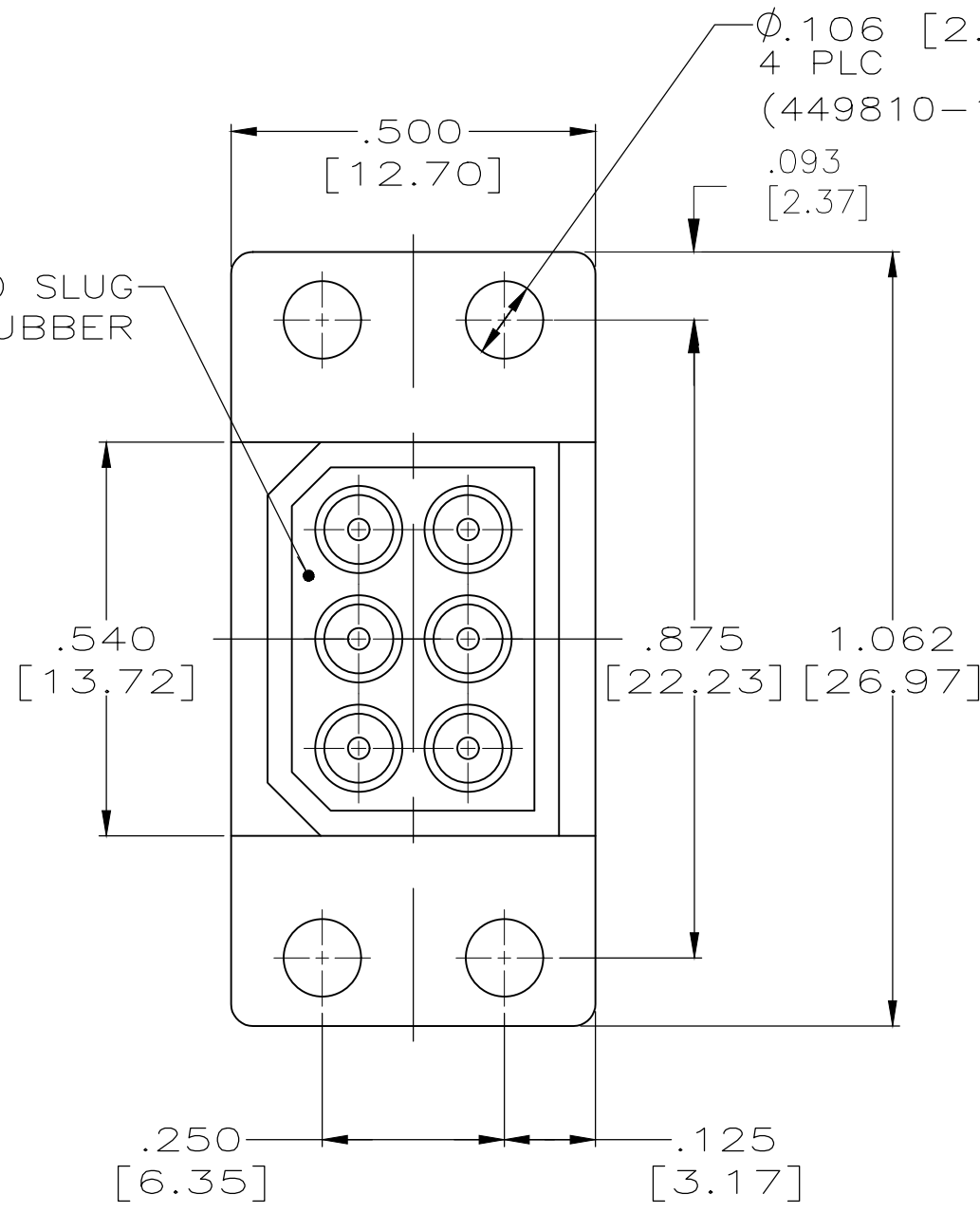
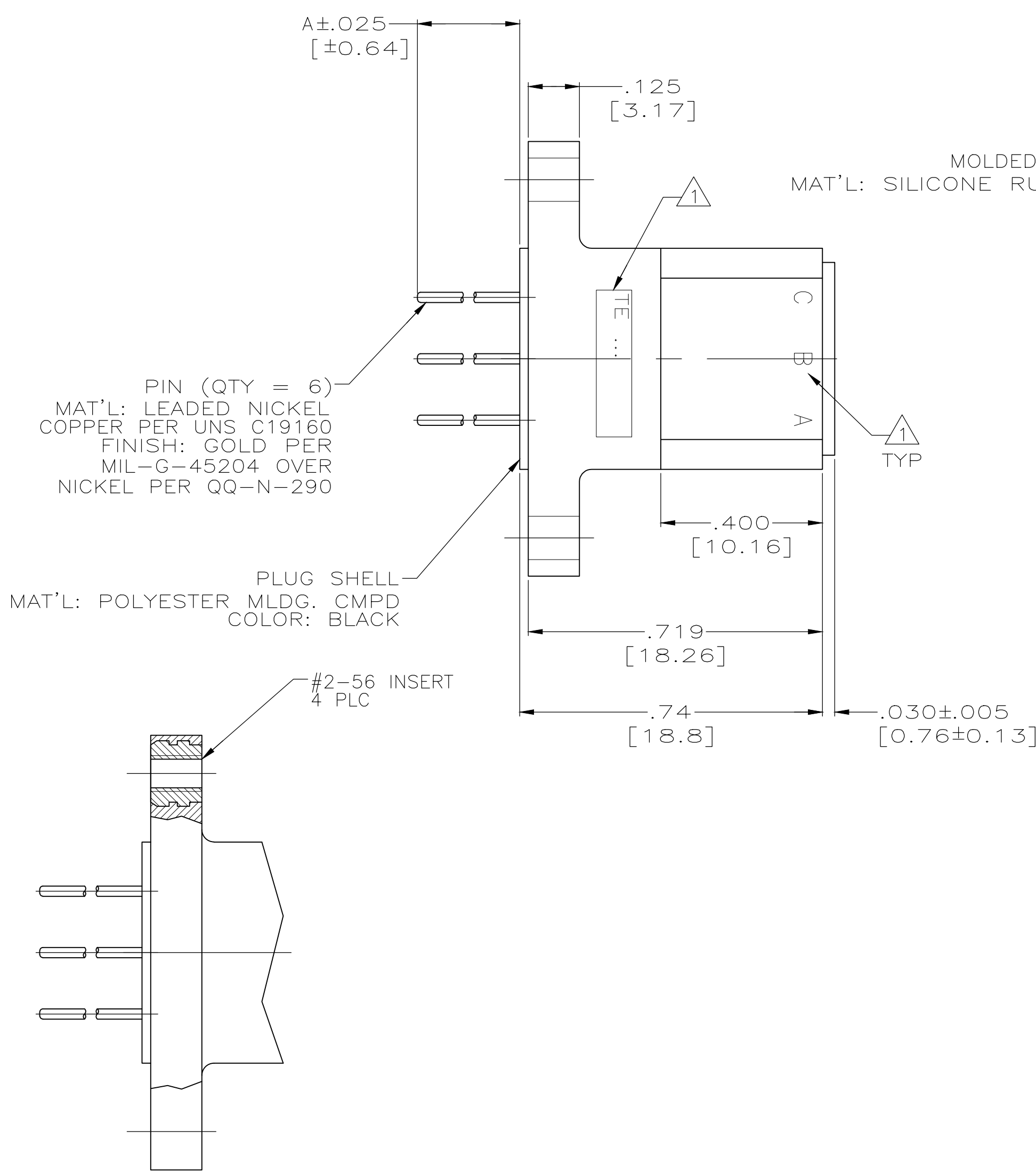


REVISIONS				
P	LTR	DESCRIPTION	DATE	APVD
D1		REV PER ECO 18-010202	8-30-18	CT DM

⚠ CAVITY I.D. & TE INFO. MARKED PER MIL-STD-130.



-2 & -3 ONLY

.750 [19.05]	449810-3
.245 [6.22]	449810-2
.245 [6.22]	449810-1
DIM A	PART NUMBER

THIS DRAWING IS A CONTROLLED DOCUMENT.		DWN	C.C.THOMAS	10-5-93	 TE Connectivity
DIMENSIONS: INCHES		CHK	D.EABY	10-6-93	
TOLERANCES UNLESS OTHERWISE SPECIFIED:		APVD	D.EABY	10-6-93	
0 PLC ± - 1 PLC ± - 2 PLC ± .03 [0.8] 3 PLC ± .010 [0.25] 4 PLC ± - ANGLES ± -		PRODUCT SPEC	NAME		
MATERIAL SEE CALLOUTS		FINISH	SEE CALLOUTS		APPLICATION SPEC
WEIGHT		0.000000		SIZE	A2
CUSTOMER DRAWING		CAGE CODE	00779	DRAWING NO	C=449810
SCALE		4:1		SHEET	1 OF 1
REV		D1		RESTRICTED TO	