



Buchanan | Buchanan 8 Series

TE Internal #: 1-1437658-1

Barrier Strips, Tri-Barrier, Printed Circuit Pin, Wire-to-Board, 7 Position, 11.1 mm [.438 in] Centerline, 1 Row, Buchanan 8 Series

[View on TE.com >](#)

Connectors > Terminal Blocks & Strips > Barrier Strips



Barrier Strip Style: **Tri-Barrier**

Bottom Termination Type: **Printed Circuit Pin**

Connector System: **Wire-to-Board**

Number of Positions: **7**

Centerline (Pitch): **11.1 mm [.438 in]**

Features

Product Type Features

| | |
|-----------------------------------|----------------------------|
| Block Style | Flat Bottom with standoffs |
| Connector System | Wire-to-Board |
| Connector & Contact Terminates To | Printed Circuit Board |

Configuration Features

| | |
|---------------------|---|
| Number of Levels | 1 |
| Number of Positions | 7 |
| Number of Rows | 1 |

Electrical Characteristics

| | |
|-------------------|-------|
| Operating Voltage | 600 V |
|-------------------|-------|

Body Features

| | |
|-----------------------|-------------|
| Primary Product Color | Black |
| Product Orientation | Vertical |
| Barrier Strip Style | Tri-Barrier |

Contact Features



| | |
|---|--------------|
| PCB Contact Termination Area Plating Material | Tin |
| Contact Base Material | Copper Alloy |
| Contact Current Rating (Max) | 30 A |

Termination Features

| | |
|-------------------------|---------------------|
| Bottom Termination Type | Printed Circuit Pin |
|-------------------------|---------------------|

Mechanical Attachment

| | |
|-------------------------|-----------------------|
| Screw Head Type | Wire Clamp Combo Head |
| Screw Plating Material | Zinc |
| Screw Material | Steel |
| Top Termination Type | Wire Clamp Combo Head |
| Mounting Options | None |
| Thread Size | 8-32 |
| Connector Mounting Type | Board Mount |

Housing Features

| | |
|--------------------|-------------------|
| Housing Material | Thermoplastic |
| Centerline (Pitch) | 11.1 mm [.438 in] |

Dimensions

| | |
|----------------|-----------------------------|
| Product Length | 79.63 mm [3.135 in] |
| Wire Size | .326 – 5.26 mm ² |

Usage Conditions

| | |
|-----------------------------|-----------------------------|
| Operating Temperature Range | -40 – 120 °C [-40 – 248 °F] |
|-----------------------------|-----------------------------|

Operation/Application

| | |
|---------------------|-------|
| Circuit Application | Power |
|---------------------|-------|

Industry Standards

| | |
|------------------------|----------|
| UL Flammability Rating | UL 94V-0 |
|------------------------|----------|

Packaging Features

| | |
|--------------------|---------|
| Packaging Quantity | 85 |
| Packaging Method | Package |

Other

| | |
|----------------------------------|---|
| Terminal Blocks & Strips Comment | Do not order screw and captive clamp in combination with other top hardware., Other options available upon request, consult our Product Information Center. |
|----------------------------------|---|



Product Compliance

[For compliance documentation, visit the product page on TE.com>](#)

| | |
|---|---|
| EU RoHS Directive 2011/65/EU | Compliant |
| EU ELV Directive 2000/53/EC | Compliant |
| China RoHS 2 Directive MIIT Order No 32, 2016 | No Restricted Materials Above Threshold |
| EU REACH Regulation (EC) No. 1907/2006 | Current ECHA Candidate List: JUNE 2023 (235) Candidate List Declared Against: JUNE 2023 (235) Does not contain REACH SVHC |
| Halogen Content | Not Low Halogen - contains Br or Cl > 900 ppm. |
| Solder Process Capability | Wave solder capable to 265°C |

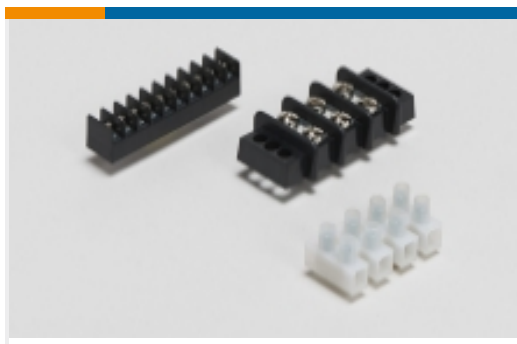
Product Compliance Disclaimer

This information is provided based on reasonable inquiry of our suppliers and represents our current actual knowledge based on the information they provided. This information is subject to change. The part numbers that TE has identified as EU RoHS compliant have a maximum concentration of 0.1% by weight in homogenous materials for lead, hexavalent chromium, mercury, PBB, PBDE, DBP, BBP, DEHP, DIBP, and 0.01% for cadmium, or qualify for an exemption to these limits as defined in the Annexes of Directive 2011/65/EU (RoHS2). Finished electrical and electronic equipment products will be CE marked as required by Directive 2011/65/EU. Components may not be CE marked. Additionally, the part numbers that TE has identified as EU ELV compliant have a maximum concentration of 0.1% by weight in homogenous materials for lead, hexavalent chromium, and mercury, and 0.01% for cadmium, or qualify for an exemption to these limits as defined in the Annexes of Directive 2000/53/EC (ELV). Regarding the REACH Regulation, the information TE provides on SVHC in articles for this part number is based on the latest European Chemicals Agency (ECHA) 'Guidance on requirements for substances in articles' posted at this URL: <https://echa.europa.eu/guidance-documents/guidance-on-reach>

Compatible Parts



Also in the Series | [Buchanan 8 Series](#)



Barrier Strips(122)

Customers Also Bought



TE Part #640457-5
PCB Header: Polyester, Right Angle, Unshrouded



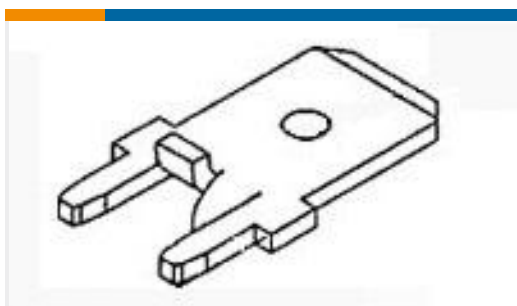
TE Part #6-440054-2
HPI 2.0MM,HDR,2POSVERTICAL,BLK



TE Part #1825057-1
ADE0204=DIP SWITCH,EXT,THRU/HL



TE Part #8-1415029-1
PB114012



TE Part #1217861-1
250 FASTON,PCB TAB,TCBR



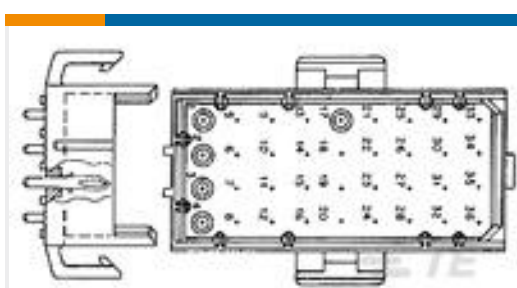
TE Part #292207-2
MINI CT SGL DIP V 2P NAT



TE Part #7-1625890-0
2W SM M/OX 5% 82K



TE Part #1963850-2
XFP. MSA HEATSINK 10mm TALL



TE Part #640498-1
03P MR HDR ASSY V0

Documents

Product Drawings

[8PCV-07-006=#8 TRIBARRIER](#)

English

CAD Files

Customer View Model

[ENG_CVM_CVM_1-1437658-1_R.2d_dxf.zip](#)

English

[3D PDF](#)



3D

Customer View Model

[ENG_CVM_CVM_1-1437658-1_R.3d_igs.zip](#)

English

Customer View Model

[ENG_CVM_CVM_1-1437658-1_R.3d_stp.zip](#)

English

By downloading the CAD file I accept and agree to the [Terms and Conditions](#) of use.

Datasheets & Catalog Pages

[1-1773458-2_BARRIER_STRIPS_QUICK_REFERENCE_GUIDE](#)

English