

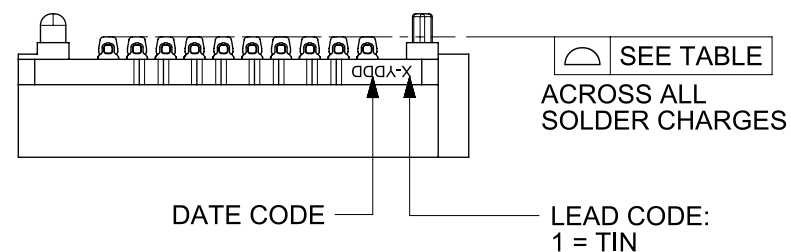
10 ROW
10 POSITION
SHOWN

SEE SHEET 3 FOR
8 ROW GEOMETRY &
SEE SHEET 4 FOR
6 ROW GEOMETRY

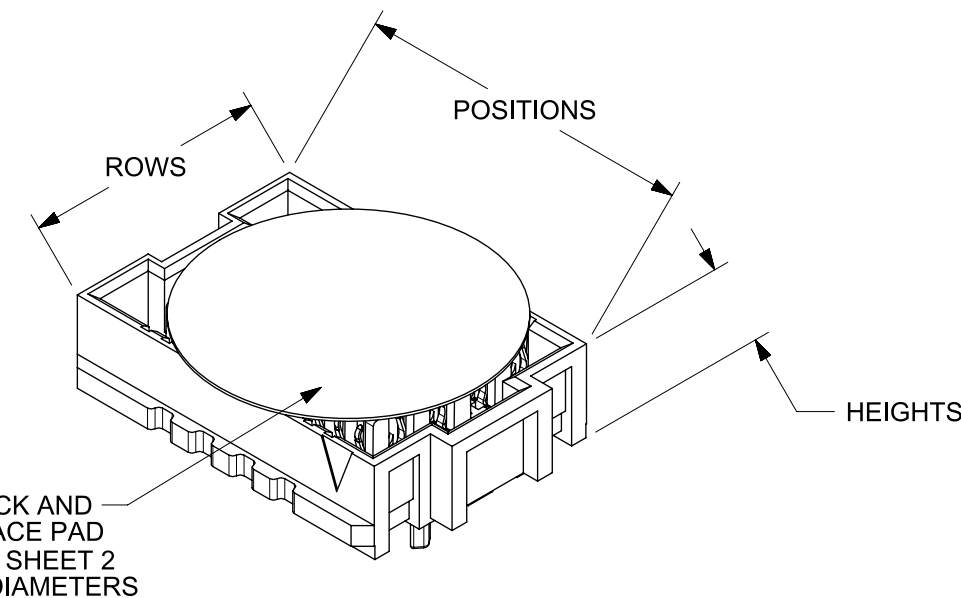
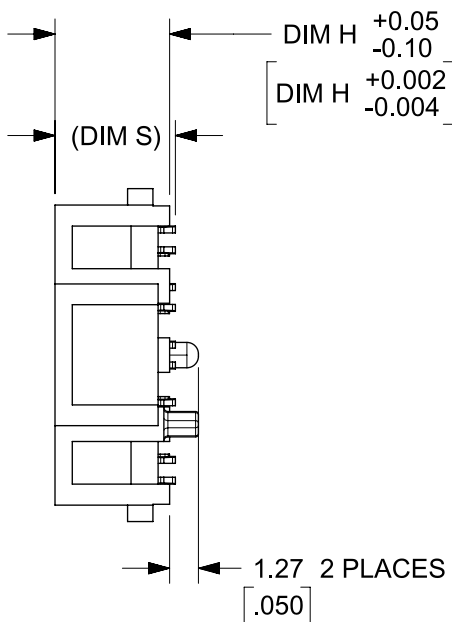
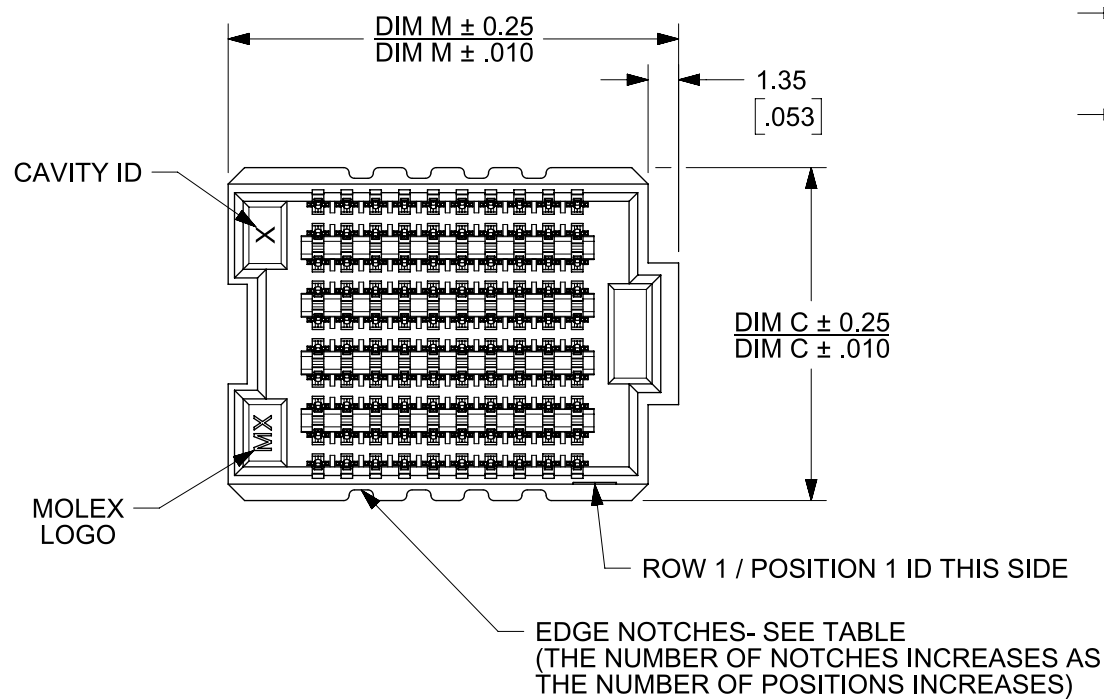
NOTES:

1. MATERIAL: HOUSING: GLASS FILLED LCP (LIQUID CRYSTAL POLYMER), UL94V-0, BLACK
CONTACTS: COPPER ALLOY
SOLDER CHARGE: 95.5% TIN, 3.8% SILVER, 0.7% COPPER
2. FINISH: SELECT GOLD IN CONTACT AREA, 30 MICROINCH MINIMUM
SELECT TIN ON TAIL, 50 MICROINCH MINIMUM
OVERALL NICKEL UNDERPLATE
3. PRODUCT SPECIFICATION: PS-45970-001
4. PACKAGING SPECIFICATION: PK-45971-002 (TAPE AND REEL)
5. MATES WITH SEARAY PLUG ASSEMBLY SERIES 45970
6. APPLICATION SPECIFICATION: AS-45970-001
7. COSMETIC SPECIFICATION: PS-45499-002 CLASS B
8. PART STATUS: CONTACT MOLEX

POSITIONS	TOTAL NUMBER OF EDGE NOTCHES	
10	8	0.15/.006
15	14	
20	18	
25	24	
30	28	
35	34	0.23/.009
40	38	
45	44	
50	48	

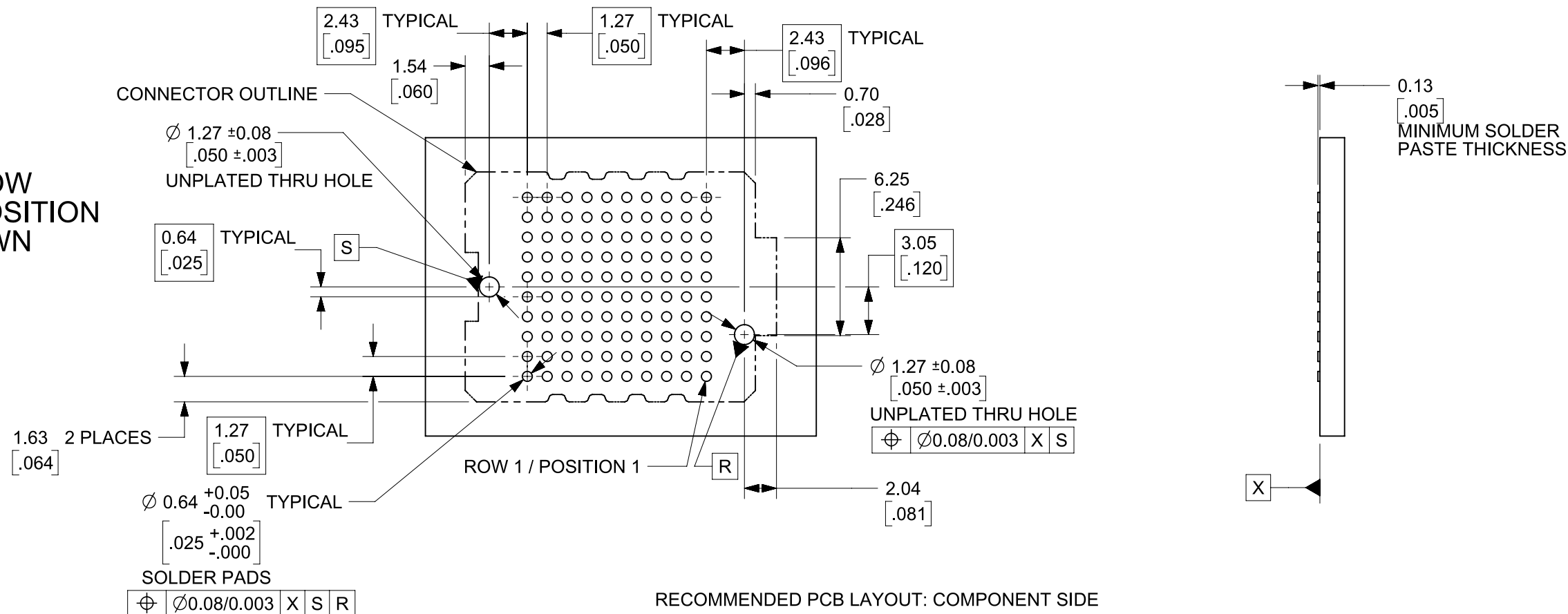


NOTE: THESE CODES MAY BE LOCATED ON EITHER SIDE OF THE HOUSING

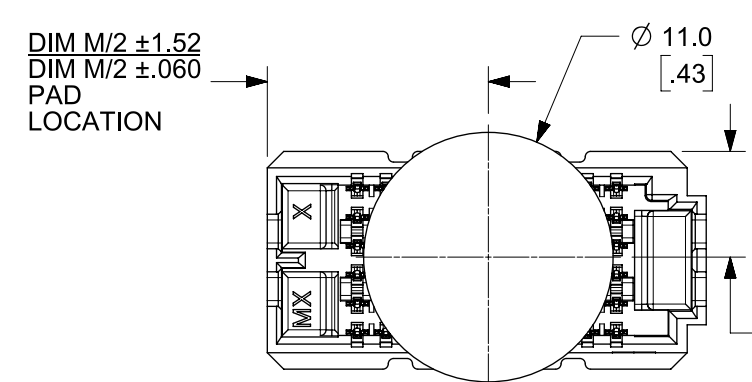


THIS DRAWING CONTAINS INFORMATION THAT IS PROPRIETARY TO MOLEX ELECTRONIC TECHNOLOGIES, LLC AND SHOULD NOT BE USED WITHOUT WRITTEN PERMISSION									
DIMENSION UNITS: MM/IN		SCALE: 3:1		CURRENT REV DESC:					
GENERAL TOLERANCES (UNLESS SPECIFIED)				<p>molex</p> <p>SEARAY RECEPTACLE ASSEMBLY 1.27/.050 CENTERS</p> <p>PRODUCT CUSTOMER DRAWING</p> <p>DOCUMENT NUMBER: SD-45971-001 DOC TYPE: PSD DOC PART: 001 REVISION: AA</p> <p>MATERIAL NUMBER: SEE TABLE SHEET NO 5 CUSTOMER: GENERAL MARKET SHEET NUMBER: 1 OF 5</p>					
ANGULAR TOL ± °									
4 PLACES ±									
3 PLACES ±									
2 PLACES ± 0.25									
1 PLACE ± 0.38				<p>EC NO: 712067 DRWN: CLHOE01 2022/01/25</p> <p>CHK'D: HCGOH 2022/06/27</p> <p>APPR: SHONG 2022/07/14</p> <p>INITIAL REVISION: DRWN: TREGORI 2005/05/17</p> <p>APPR: JCOMERCI 2010/03/05</p>					
0 PLACES ±				<p>DRAFT WHERE APPLICABLE MUST REMAIN WITHIN DIMENSIONS</p> <p>THIRD ANGLE PROJECTION</p> <p>DRAWING: B-SIZE SERIES: 45971</p>					

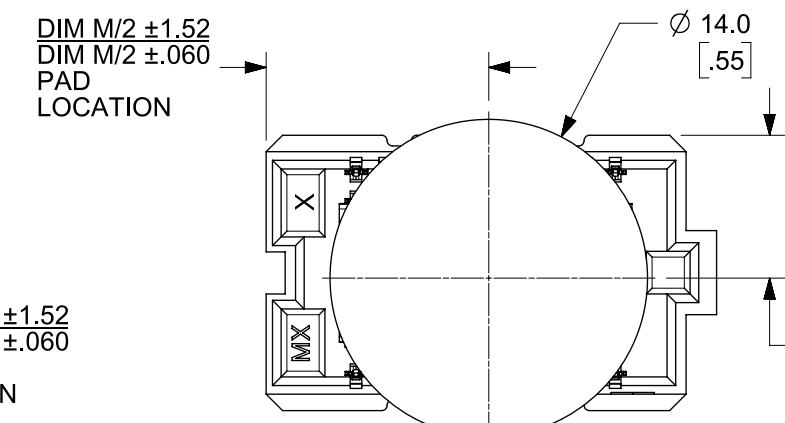
10 ROW
10 POSITION
SHOWN



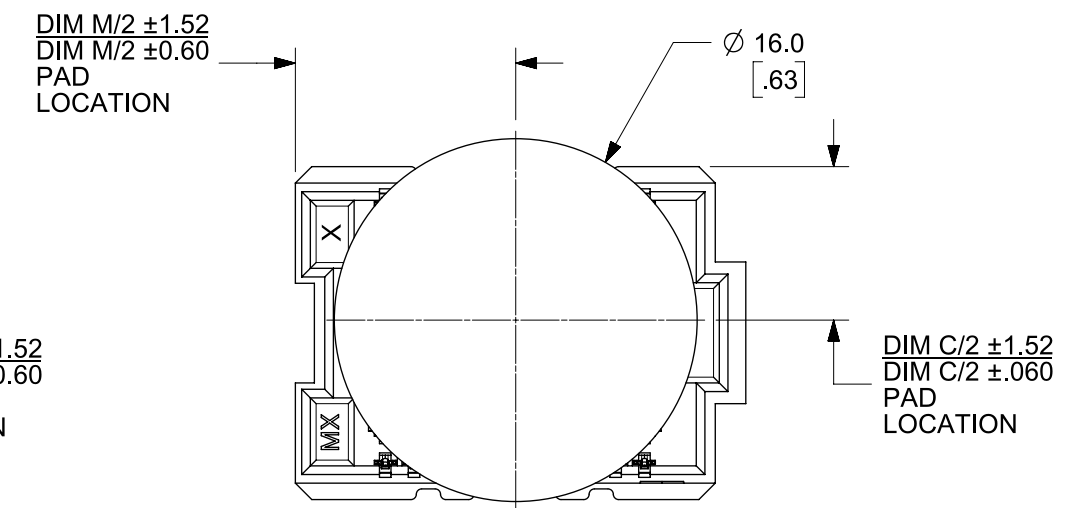
RECOMMENDED PCB LAYOUT: COMPONENT SIDE
SOLDER SCREEN APERTURE SIZE: 0.89/0.035 DIAMETER
PCB THICKNESS: NA



6 ROW OPTION



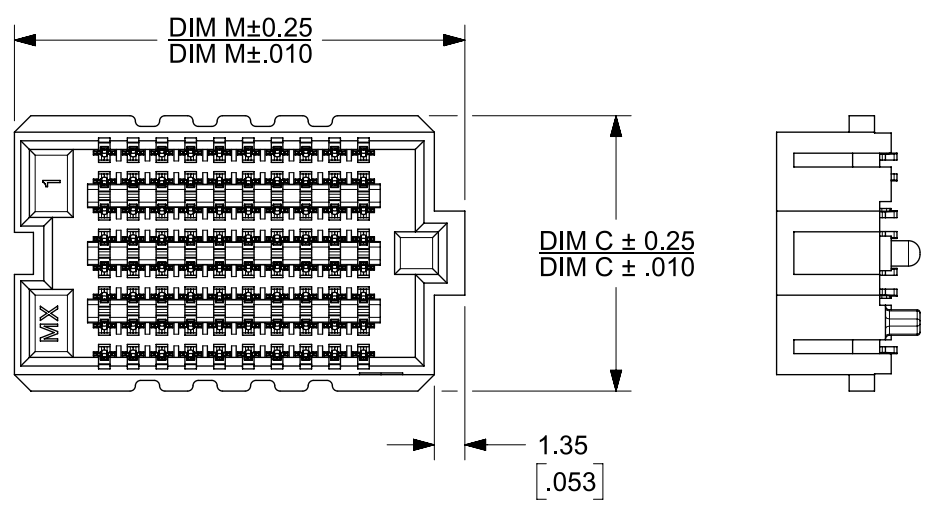
8 ROW OPTION



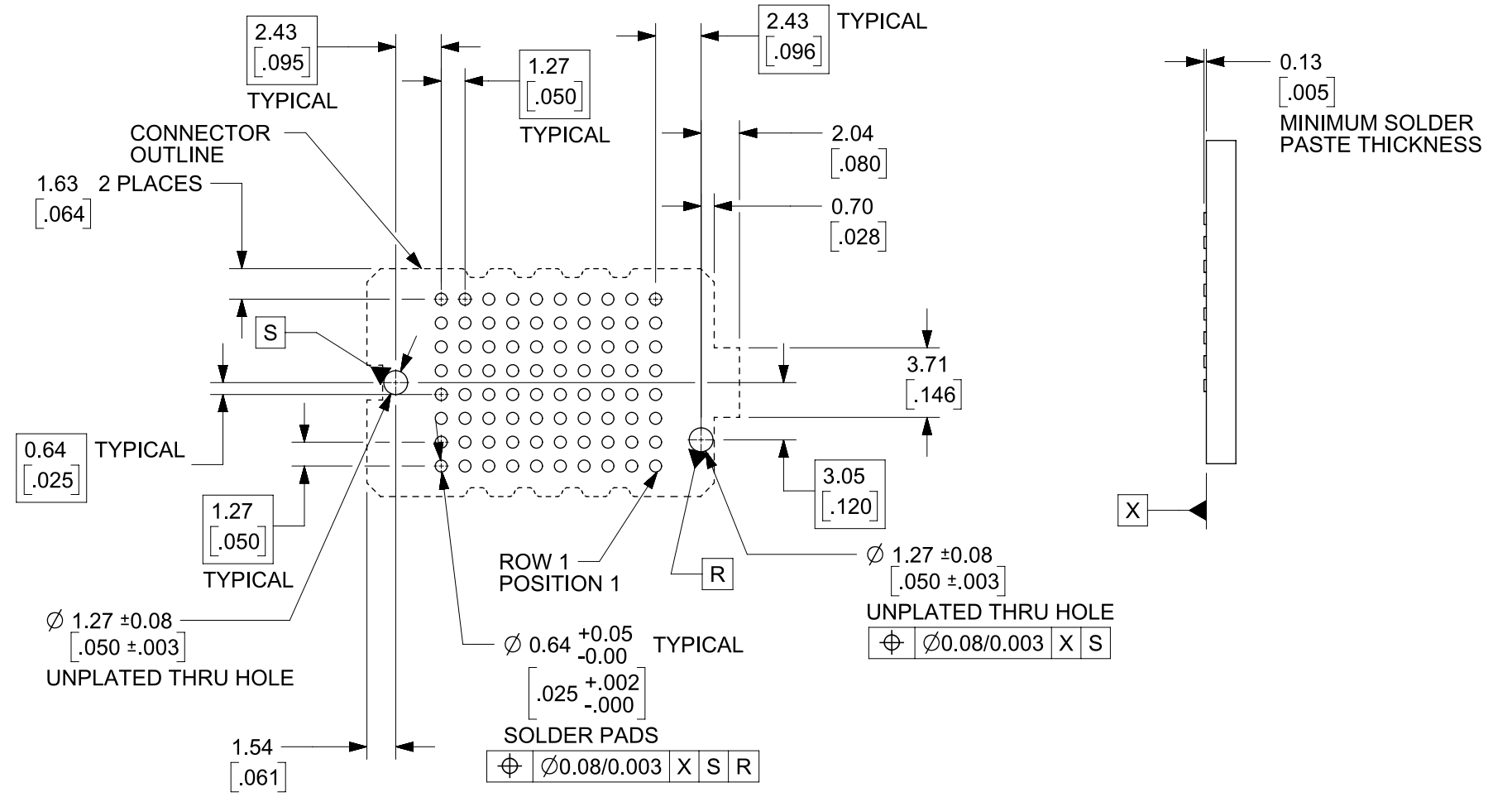
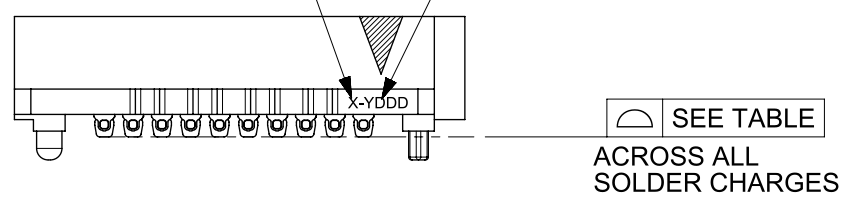
10 ROW OPTION

PICK AND PLACE
PAD DIAMETERS
10 POSITION VERSIONS SHOWN

THIS DRAWING CONTAINS INFORMATION THAT IS PROPRIETARY TO MOLEX ELECTRONIC TECHNOLOGIES, LLC AND SHOULD NOT BE USED WITHOUT WRITTEN PERMISSION									
DIMENSION UNITS MM/IN		SCALE 3:1		CURRENT REV DESC:				molex	
GENERAL TOLERANCES (UNLESS SPECIFIED)		ANGULAR TOL ± °		EC NO: 712067 DRWN: CLHOE01 CHK'D: HCGOH APPR: SHONG					
4 PLACES ±		3 PLACES ±		2 PLACES ± 0.25		1 PLACE ± 0.38		2022/01/25 2022/06/27 2022/07/14	
0 PLACES ±		DRAFT WHERE APPLICABLE MUST REMAIN WITHIN DIMENSIONS		THIRD ANGLE PROJECTION		DRAWING B-SIZE		SERIES 45971	
DOCUMENT STATUS P1		RELEASE DATE 2022/07/14 16:45:44		MATERIAL NUMBER SEE TABLE SHEET NO 5		CUSTOMER GENERAL MARKET		DOCUMENT NUMBER SD-45971-001	
								DOC TYPE PSD	
								DOC PART 001	
								REVISION AA	
								SHEET NUMBER 2 OF 5	

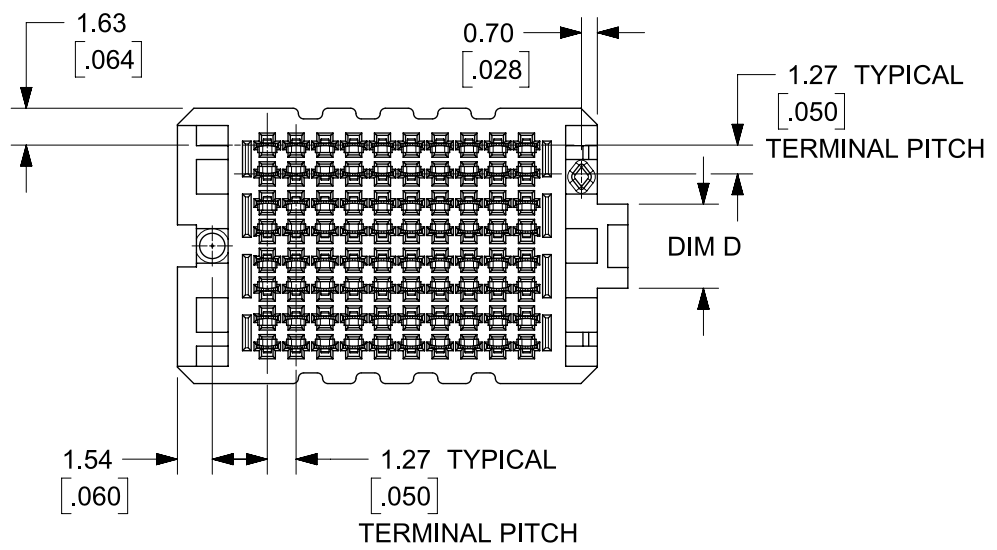
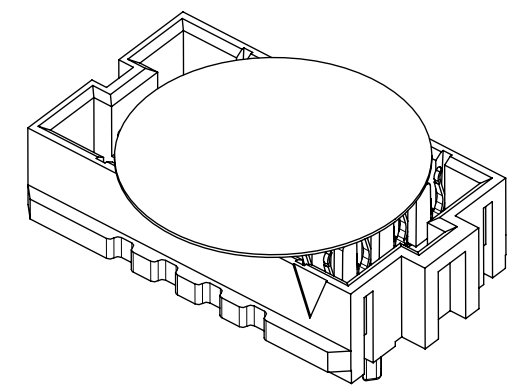


NOTE: THESE CODES MAY BE LOCATED ON EITHER SIDE OF THE HOUSING
 LEAD CODE: 1 = TIN
 DATE CODE



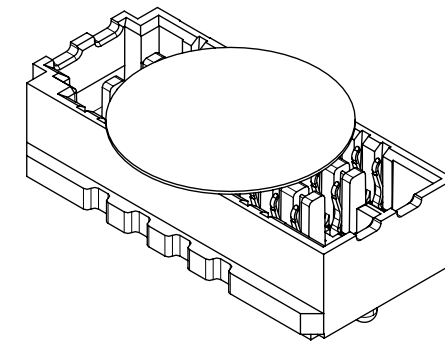
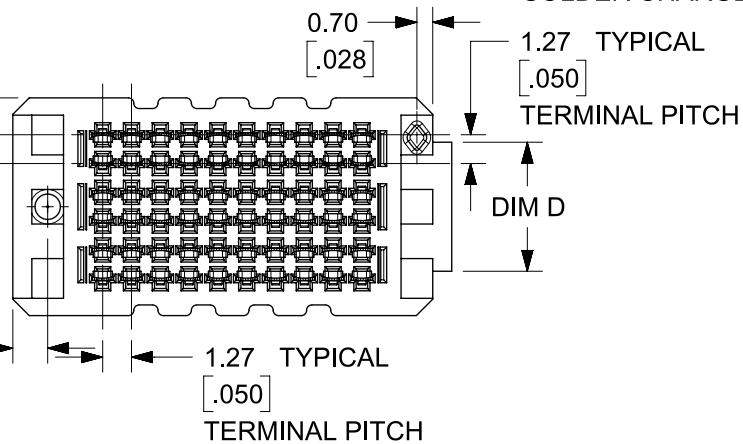
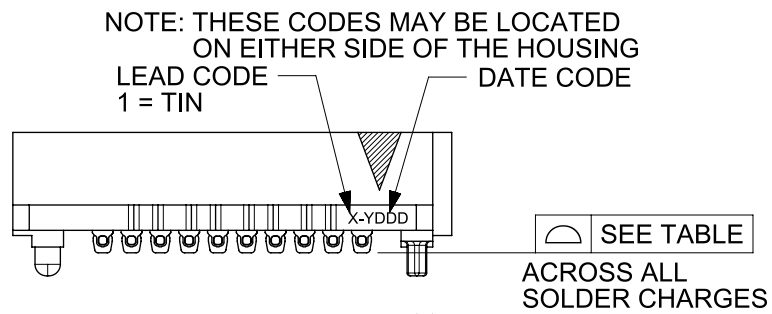
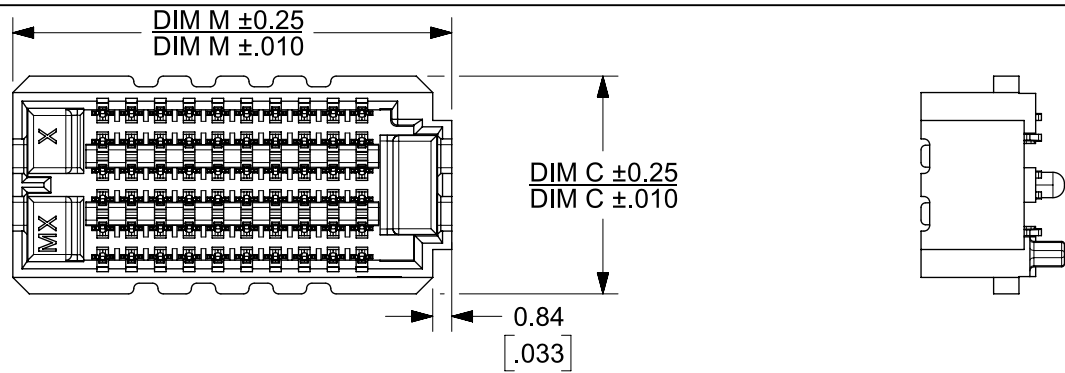
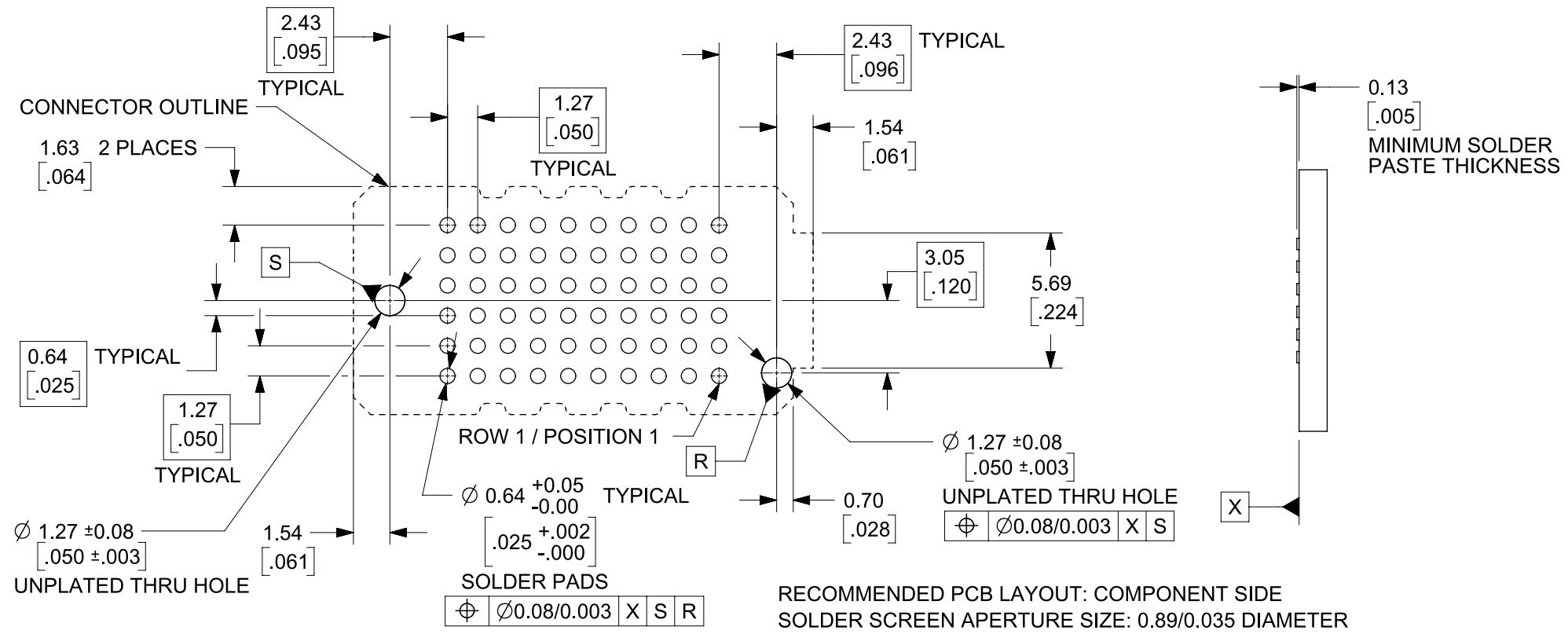
RECOMMENDED PCB LAYOUT: COMPONENT SIDE
 SOLDER SCREEN APERTURE SIZE: 0.89/0.035 DIAMETER
 PCB THICKNESS: NA

8 ROW 10 POSITION SHOWN



THIS DRAWING CONTAINS INFORMATION THAT IS PROPRIETARY TO MOLEX ELECTRONIC TECHNOLOGIES, LLC AND SHOULD NOT BE USED WITHOUT WRITTEN PERMISSION									
DIMENSION UNITS: MM/IN		SCALE: 3:1		CURRENT REV DESC:					
GENERAL TOLERANCES (UNLESS SPECIFIED)				EC NO: 712067 DRWN: CLHOE01 CHK'D: HCGOH APPR: SHONG INITIAL REVISION: DRWN: TREGORI APPR: JCOMERCI					
ANGULAR TOL ± °									
4 PLACES ±									
3 PLACES ±									
2 PLACES ± 0.25									
1 PLACE ± 0.38									
0 PLACES ±				2022/01/25		2022/06/27		2022/07/14	
DRAFT WHERE APPLICABLE MUST REMAIN WITHIN DIMENSIONS				THIRD ANGLE PROJECTION		DRAWING: B-SIZE		SERIES: 45971	
DOCUMENT STATUS: P1		RELEASE DATE: 2022/07/14 16:45:44		DOCUMENT NUMBER: SD-45971-001		DOC TYPE: PSD		DOC PART: 001	
				REVISION: AA		MATERIAL NUMBER: SEE TABLE SHEET NO 5		CUSTOMER: GENERAL MARKET	
				SHEET NUMBER: 3 OF 5					

6 ROW
10 POSITION
SHOWN

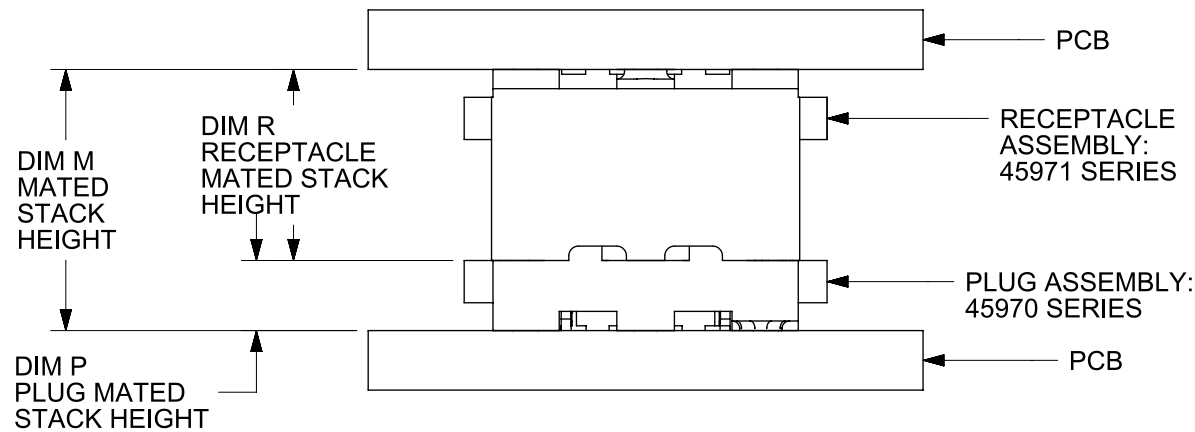


6 ROW
10 POSITION
SHOWN

THIS DRAWING CONTAINS INFORMATION THAT IS PROPRIETARY TO MOLEX ELECTRONIC TECHNOLOGIES, LLC AND SHOULD NOT BE USED WITHOUT WRITTEN PERMISSION									
DIMENSION UNITS		SCALE		CURRENT REV DESC:				molex	
MM/IN		3:1							
GENERAL TOLERANCES (UNLESS SPECIFIED)				EC NO: 712067				SEARAY	
ANGULAR TOL ± °				DRWN: CLHOE01				RECEPTACLE ASSEMBLY 1.27/.050 CENTERS	
4 PLACES ±				CHK'D: HCGOH				PRODUCT CUSTOMER DRAWING	
3 PLACES ±				APPR: SHONG				DOCUMENT NUMBER	
2 PLACES ± 0.25				INITIAL REVISION:				SD-45971-001	
1 PLACE ± 0.38				DRWN: TREGORI				PSD 001 AA	
0 PLACES ±				APPR: JCOMERCI				SHEET NUMBER	
DRAFT WHERE APPLICABLE MUST REMAIN WITHIN DIMENSIONS		THIRD ANGLE PROJECTION		DRAWING		SERIES		MATERIAL NUMBER	
		B-SIZE		45971		SEE TABLE SHEET NO 5		CUSTOMER	
						GENERAL MARKET		4 OF 5	

ROWS: 6 DIMENSION C = 9.60/.378 DIMENSION D = 5.69/.224						
DIM R: (REF)		5.0 mm	6.0 mm	6.5 mm	7.5 mm	8.0 mm
DIM H:		5.05/.199	6.05/.238	6.55/.258	7.54/.297	8.05/.317
DIM S:		5.31/.209	6.30/.248	6.81/.268	7.80/.307	8.31/.327
POSITION	DIM M	MATERIAL NO	MATERIAL NO	MATERIAL NO	MATERIAL NO	MATERIAL NO
10	19.35/0.762					
20	32.05/1.262					
30	44.75/1.762	45971-3165				
40	57.45/2.262					
50	70.15/2.762	45971-5165				
15	25.70/1.012					
25	38.40/1.512					
35	51.10/2.012					
45	63.80/2.512					

ROWS: 8 DIMENSION C = 12.14/.478 DIMENSION D = 3.71/.146						
DIM R: (REF)		5.0 mm	6.0 mm	6.5 mm	7.5 mm	8.0 mm
DIM H:		5.05/.199	6.05/.238	6.55/.258	7.54/.297	8.05/.317
DIM S:		5.31/.209	6.30/.248	6.81/.268	7.80/.307	8.31/.327
POSITION	DIM M	MATERIAL NO	MATERIAL NO	MATERIAL NO	MATERIAL NO	MATERIAL NO
10	19.88/0.784					
20	32.58/1.284	45971-2185		45971-2385		
30	45.28/1.784	45971-3185		45971-3385		
40	57.98/2.284	45971-4185		45971-4385		
50	70.68/2.784	45971-5185				
15	26.23/1.034					
25	38.93/1.534					
35	51.63/2.034					
45	64.33/2.534					



STACK HEIGHTS
GIVEN IN MILLIMETERS (MM) FOR REFERENCE ONLY

ROWS: 10 DIMENSION C = 14.68/.578 DIMENSION D = 6.25/.246						
DIM R: (REF)		5.0 mm	6.0 mm	6.5 mm	7.5 mm	8.0 mm
DIM H:		5.05/.199	6.05/.238	6.55/.258	7.54/.297	8.05/.317
DIM S:		5.31/.209	6.30/.248	6.81/.268	7.80/.307	8.31/.327
POSITION	DIM M	MATERIAL NO	MATERIAL NO	MATERIAL NO	MATERIAL NO	MATERIAL NO
10	19.88/0.784	45971-1115	45971-1215	45971-1315	45971-1415	45971-1515
20	32.58/1.284	45971-2115	45971-2215	45971-2315	45971-2415	45971-2515
30	45.28/1.784	45971-3115	45971-3215	45971-3315	45971-3415	45971-3515
40	57.98/2.284	45971-4115	45971-4215	45971-4315	45971-4415	45971-4515
50	70.68/2.784	45971-5115	45971-5215	45971-5315	45971-5415	45971-5515
15	26.23/1.034	45971-6115	45971-6215	45971-6315	45971-6415	45971-6515
25	38.93/1.534	45971-7115	45971-7215	45971-7315	45971-7415	45971-7515
35	51.63/2.034	45971-8115	45971-8215	45971-8315	45971-8415	45971-8515
45	64.33/2.534	45971-9115	45971-9215	45971-9315	45971-9415	45971-9515

MATING STACK HEIGHTS (DIMENSION R)
GIVEN IN MILLIMETERS (mm) FOR REFERENCE ONLY

		DIM R RECEPTACLE STACK HEIGHT									
		5.0		6.0		6.5		7.5		8.0	
		DIM M FULLY MATED	DIM M MAX	DIM M FULLY MATED	DIM M MAX	DIM M FULLY MATED	DIM M MAX	DIM M FULLY MATED	DIM M MAX	DIM M FULLY MATED	DIM M MAX
DIM P PLUG STACK HEIGHT	2.0	7.00	7.74	8.00	8.74	8.50	9.24	9.50	10.24	10.00	10.74
	2.5	7.50	8.24	8.50	9.24	9.00	9.74	10.00	10.74	10.50	11.24
	3.0	8.00	8.74	9.00	9.74	9.50	10.24	10.50	11.24	11.00	11.74
	3.5	8.50	9.24	9.50	10.24	10.00	10.74	11.00	11.74	11.50	12.24
	4.5	9.50	10.24	10.50	11.24	11.00	11.74	12.00	12.74	12.50	13.24
	5.0	10.00	10.74	11.00	11.74	11.50	12.24	12.50	13.24	13.00	13.74
	7.0	12.00	12.74	13.00	13.74	13.50	14.24	14.50	15.24	15.00	15.74
9.0	14.00	14.74	15.00	15.74	15.50	16.24	16.50	17.24	17.00	17.74	

MATED STACK HEIGHTS
GIVEN IN MILLIMETERS (mm) FOR REFERENCE ONLY

THIS DRAWING CONTAINS INFORMATION THAT IS PROPRIETARY TO MOLEX ELECTRONIC TECHNOLOGIES, LLC AND SHOULD NOT BE USED WITHOUT WRITTEN PERMISSION											
DIMENSION UNITS: MM/IN		SCALE: 3:1		CURRENT REV DESC:							
GENERAL TOLERANCES (UNLESS SPECIFIED)		ANGULAR TOL ± °		EC NO: 712067 DRWN: CLH0E01 CHK'D: HCGOH APPR: SHONG							
4 PLACES ±		3 PLACES ±		2 PLACES ± 0.25		1 PLACE ± 0.38		0 PLACES ±		INITIAL REVISION: DRWN: TGREGORI APPR: JCOMERCI	
DRAFT WHERE APPLICABLE MUST REMAIN WITHIN DIMENSIONS		THIRD ANGLE PROJECTION		DRAWING: B-SIZE		SERIES: 45971		MATERIAL NUMBER: SEE TABLE SHEET NO 5		CUSTOMER: GENERAL MARKET	
DOCUMENT STATUS: P1		RELEASE DATE: 2022/07/14 16:45:44		SEARAY RECEPTACLE ASSEMBLY 1.27/.050 CENTERS PRODUCT CUSTOMER DRAWING				DOCUMENT NUMBER: SD-45971-001 DOC TYPE: PSD DOC PART: 001 REVISION: AA		SHEET NUMBER: 5 OF 5	