

6

5

4

3

2

1

E

E

D

D

C

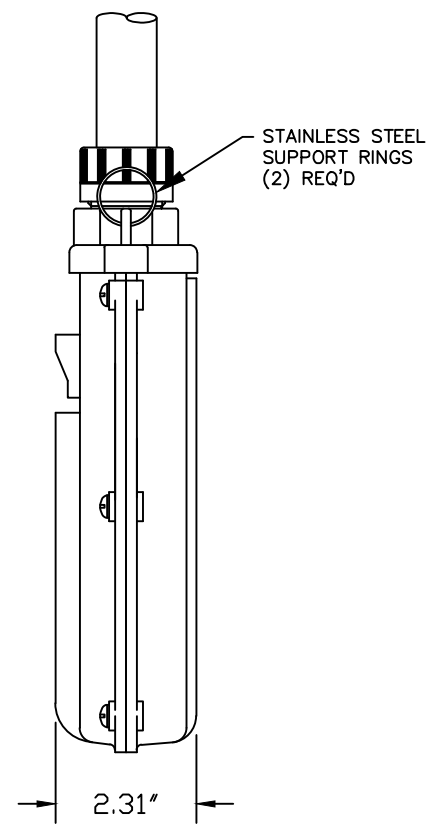
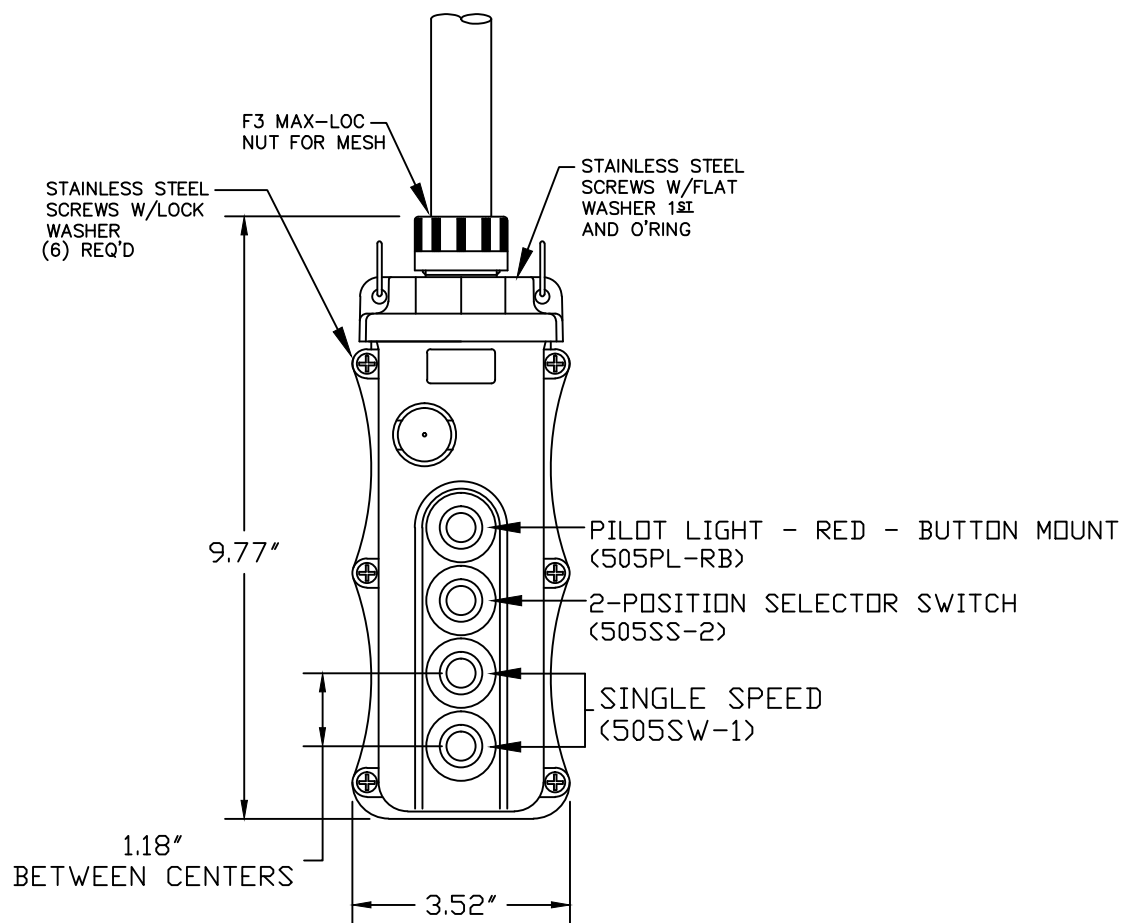
C

B

B

A

A



- NOTES:
1. INSTALLATION INSTRUCTIONS, BUTTON ID. LABELS ARE PACKED WITH THE PART.
 2. ALL BUTTONS ARE HIGH AMBIENT, CHEMICALLY RESISTANT MATERIAL - COLOR BLACK

| | | | | | | | | |
|---|--|--|-------------|---|---------------------|----------------|---------------------------|--|
| EC NO: ICG2017-0825 DRWN: BPATTERS 2017/03/01 CHKD: KAHMED APPR: HKNEELAN 2017/04/20 | QUALITY SYMBOLS $\nabla=0$ $\sphericalangle=0$ | GENERAL TOLERANCES (UNLESS SPECIFIED) | | DIMENSION STYLE | SCALE | DESIGN UNITS | THIRD ANGLE PROJECTION | |
| | | | mm | INCH | INCH | NTS | INCH | |
| | | 4 PLACES | ±--- | ±--- | BPATTERS | 2017/03/01 | TITLE | |
| | | 3 PLACES | ±--- | ±0.005 | CHECKED BY | DATE | 4 POS PENDANT W/ 505PL-RB | |
| 2 PLACES | ±0.05 | ±0.010 | KAHMED | --- | 505SS-2 AND 505SW-1 | | | |
| 1 PLACE | ±0.10 | ±0.020 | APPROVED BY | DATE | MOLEX INCORPORATED | | | |
| ANGULAR ± 5° | | DRAFT WHERE APPLICABLE MUST REMAIN WITHIN DIMENSIONS | | HKNEELAN | 2017/04/20 | DOCUMENT NO. | SHEET NO. | |
| | | | | MATERIAL NO. | 1301260357 | SD-130126-0357 | 1 OF 1 | |
| A | | SIZE A | | THIS DRAWING CONTAINS INFORMATION THAT IS PROPRIETARY TO MOLEX INCORPORATED AND SHOULD NOT BE USED WITHOUT WRITTEN PERMISSION | | | | |

6

5

4

3

2

1