

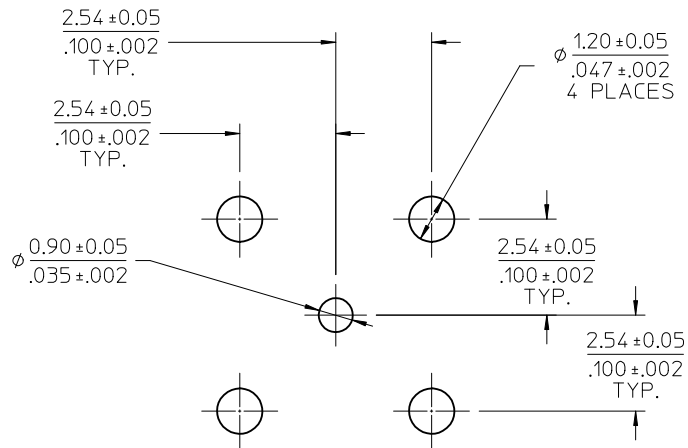
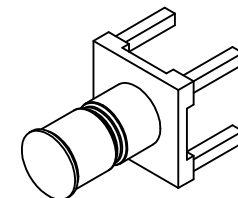
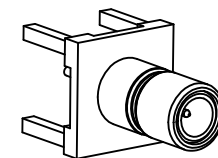
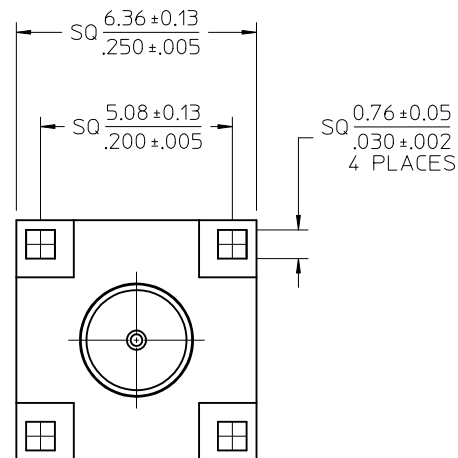
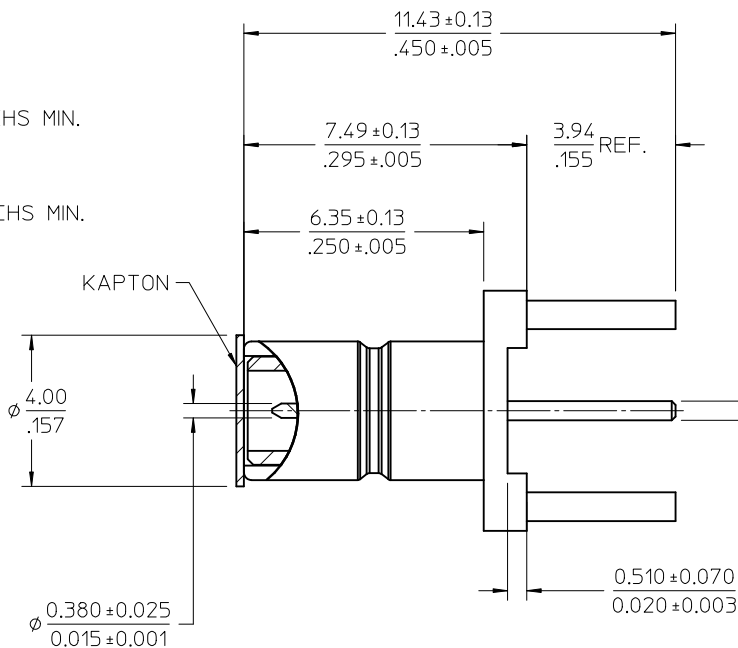
MATERIAL AND FINISHES

BODY BRASS
PLATED GOLD 10 MICROINCHS MIN.

CENTER CONTACT BRASS
PLATED GOLD 30 MICROINCHS MIN.

INSULATOR TEFLON

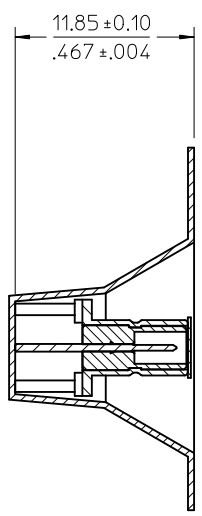
PACKAGING SEE TABLE



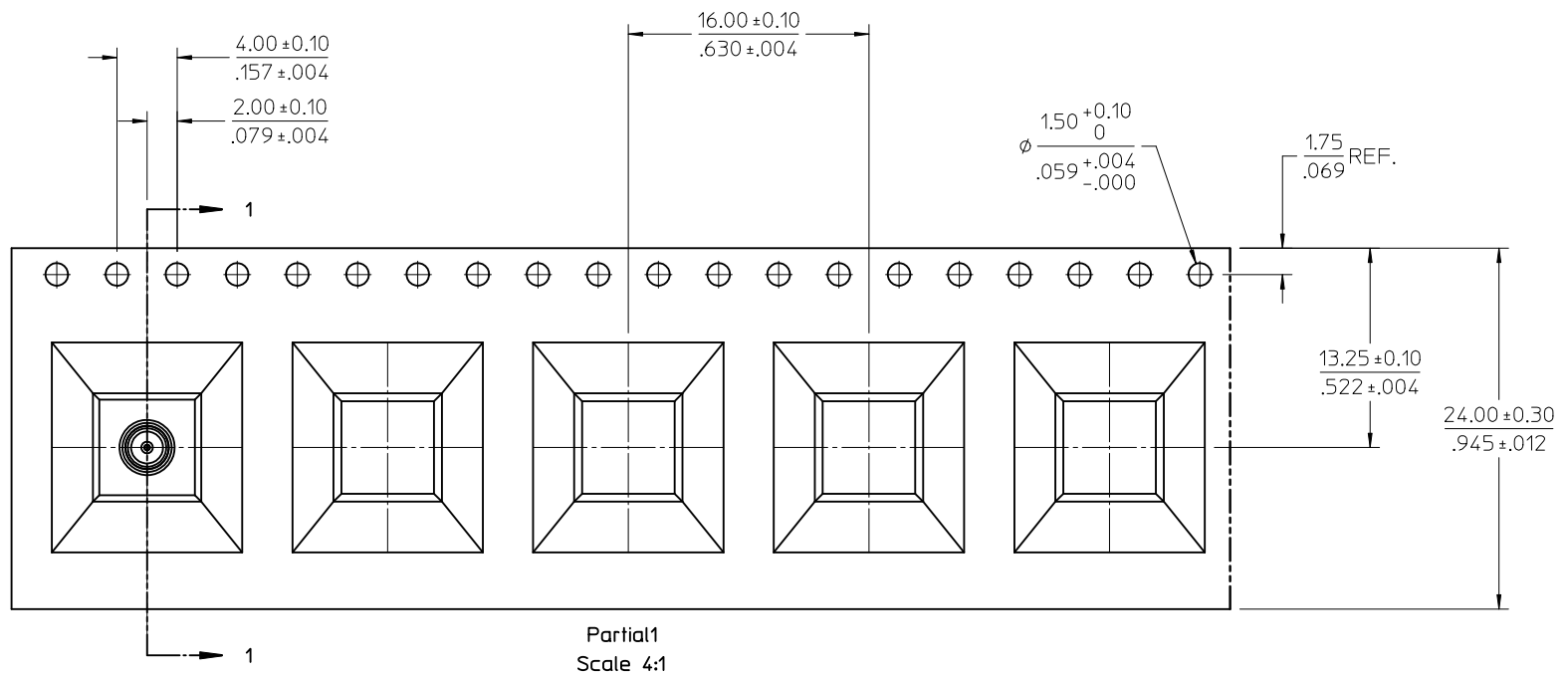
PS-89675-3540	ELECTRICAL/MECHANICAL
SPECIFICATION	DESCRIPTION

73404-6191	TAPE AND REEL WITH KAPTON
73404-6190	TRAY WITHOUT KAPTON
PART NO.	DESCRIPTION

ADDED P/N: 73404-6191 PER PDR12031017 EC NO: URF2012-0538 DRWNLIN 2012/03/12 CHKD: APPR:MHUANG 2012/03/19 DESCRIPTION REV: A1	QUALITY SYMBOLS	GENERAL TOLERANCES (UNLESS SPECIFIED)	DIMENSION STYLE	SCALE	DESIGN UNITS	THIRD ANGLE PROJECTION	
		mm INCH	MM/IN	8:1	METRIC		
		4 PLACES ± --- ± ---	EL IN 2010/07/14	DRAWN BY DATE	TITLE		
		3 PLACES ± --- ± ---	CHECKED BY DATE	JOANNE 2010/07/14	SMB JACK VERTICAL 75 OHMS		
	2 PLACES ± --- ± ---	APPROVED BY DATE	MHUANG 2010/07/22	SMB-J/PCB			
	1 PLACE ± --- ± ---			molex			
	0 PLACE ± ±			SD-73404-619			
		ANGULAR ± 2 °	MATERIAL NO.	DOCUMENT NO.	SHEET NO.		
		DRAFT WHERE APPLICABLE MUST REMAIN WITHIN DIMENSIONS	SEE TABLE		1 OF 3		
			SIZE C	THIS DRAWING CONTAINS INFORMATION THAT IS PROPRIETARY TO MOLEX INCORPORATED AND SHOULD NOT BE USED WITHOUT WRITTEN PERMISSION			

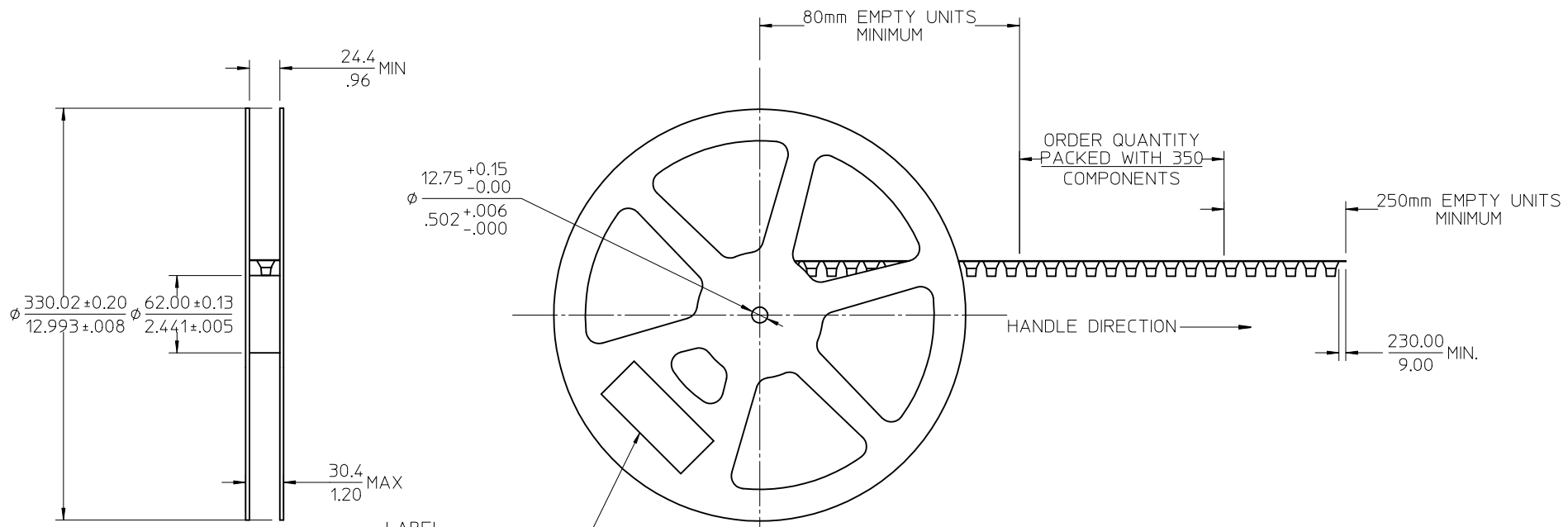


Section 1-1



Partial1
Scale 4:1

SEE SHEET 1 IEC NO: URF2012-0538 2012/03/12 DRW: NELIN CHKD: APPR: MHUANG 2012/03/19	QUALITY SYMBOLS	GENERAL TOLERANCES (UNLESS SPECIFIED)	DIMENSION STYLE	SCALE	DESIGN UNITS	THIRD ANGLE PROJECTION
	▽=0	mm INCH	MM/IN	4:1	METRIC	
	▽=0	4 PLACES ± --- ± ---	DRAWN BY DATE	EL IN	SMB JACK VERTICAL 75 OHMS SMB-J/PCB	
	▽=0	3 PLACES ± --- ± ---	CHECKED BY DATE	JOANNE	molex	
		ANGULAR ± 2 °	APPROVED BY DATE	MHUANG	DOCUMENT NO.	SHEET NO.
A1		DRAFT WHERE APPLICABLE MUST REMAIN WITHIN DIMENSIONS	SEE SHEET 1		SD-73404-619	2 OF 3
			THIS DRAWING CONTAINS INFORMATION THAT IS PROPRIETARY TO MOLEX INCORPORATED AND SHOULD NOT BE USED WITHOUT WRITTEN PERMISSION			



LABEL:
 - ORDER NO.
 - QUANTITY
 - PART NUMBER
 - LOT NO.

SEE SHEET 1 EC NO: URF2012-0538 DRWN:EL IN 2012/03/12 CHKD: APPR:MHUANG 2012/03/19	DESCRIPTION REV	QUALITY SYMBOLS	GENERAL TOLERANCES (UNLESS SPECIFIED)	DIMENSION STYLE	SCALE	DESIGN UNITS	THIRD ANGLE PROJECTION															
		<table border="1"> <tr> <th></th> <th>mm</th> <th>INCH</th> </tr> <tr> <td>4 PLACES</td> <td>± ---</td> <td>± ---</td> </tr> <tr> <td>3 PLACES</td> <td>± ---</td> <td>± ---</td> </tr> <tr> <td>2 PLACES</td> <td>± ---</td> <td>± ---</td> </tr> <tr> <td>1 PLACE</td> <td>± ---</td> <td>± ---</td> </tr> <tr> <td>0 PLACE</td> <td>±</td> <td>±</td> </tr> </table>		mm	INCH	4 PLACES	± ---	± ---	3 PLACES	± ---	± ---	2 PLACES	± ---	± ---	1 PLACE	± ---	± ---	0 PLACE	±	±	MM/IN	1:1
	mm	INCH																				
4 PLACES	± ---	± ---																				
3 PLACES	± ---	± ---																				
2 PLACES	± ---	± ---																				
1 PLACE	± ---	± ---																				
0 PLACE	±	±																				
A1		ANGULAR ± 2 °	DRAFT WHERE APPLICABLE MUST REMAIN WITHIN DIMENSIONS	DRAWN BY: EL IN CHECKED BY: JOANNE APPROVED BY: MHUANG DATE: 2010/07/14 DATE: 2010/07/14 DATE: 2010/07/22	TITLE: SMB JACK VERTICAL 75 OHMS SMB-J/PCB 		MATERIAL NO. DOCUMENT NO.	SHEET NO. 3 OF 3														
SEE SHEET 1				SD-73404-619		THIS DRAWING CONTAINS INFORMATION THAT IS PROPRIETARY TO MOLEX INCORPORATED AND SHOULD NOT BE USED WITHOUT WRITTEN PERMISSION																