

MATERIALS AND FINISHES

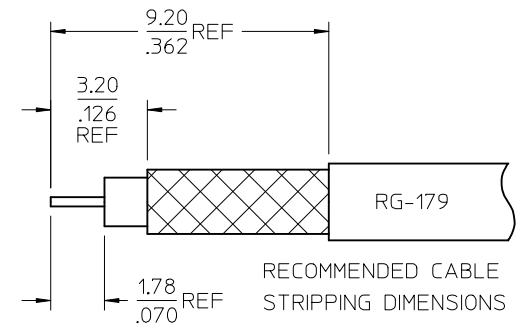
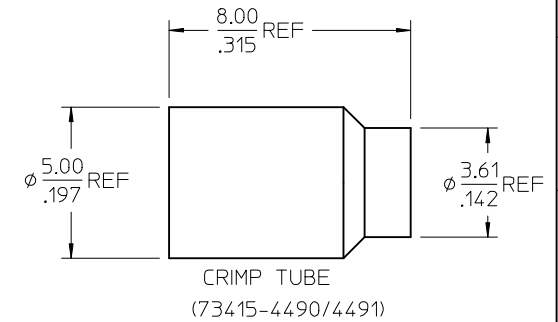
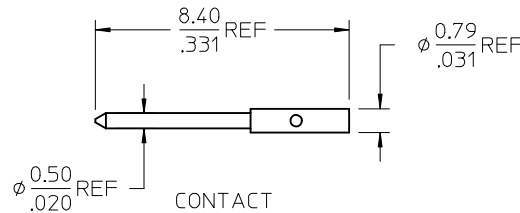
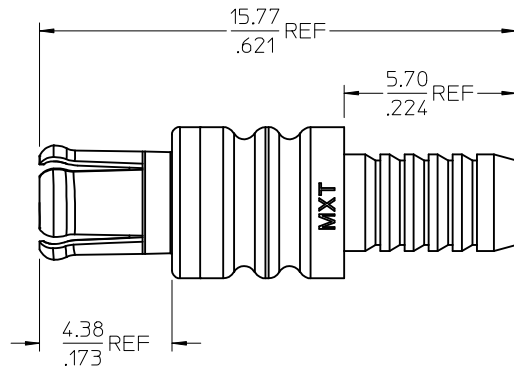
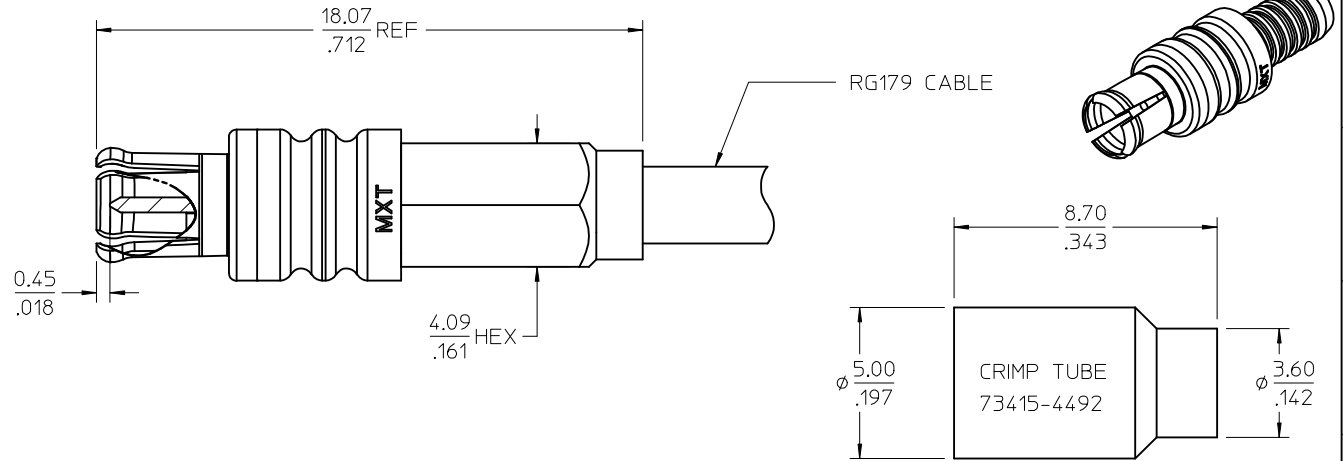
BODY: ZINC ALLOY
 PLATED (SEE TABLE)
 THICKNESS (SEE TABLE)

CENTER CONTACT: BRASS
 PLATED GOLD (THICKNESS SEE TABLE)

INSULATOR: TEFLON

OUTER CONTACT (OC): BERYLLIUM COPPER
 PLATED GOLD (THICKNESS SEE TABLE)

CRIMP TUBE: BRASS
 PLATED (SEE TABLE)
 THICKNESS (SEE TABLE)



73415-4492	BAG	70 μ" MIN NICKEL	30 μ" MIN	30 μ" MIN	70 μ" MIN NICKEL
73415-4491	ONE PER BAG	GOLD FLASH	10 μ" MIN	5 μ" MIN	10 μ" MIN GOLD
73415-4490	BAG	GOLD FLASH	10 μ" MIN	5 μ" MIN	10 μ" MIN GOLD
PART NO.	PACKAGING	BODY FINISH	CONTACT FINISH	OC FINISH	CRIMP TUBE FIN

CHG: BAG WAS BULK PER RF17-E062 EC NO: URF2017-0344 DRW: IN LIN 2017/03/27 CHKD: APPR: YCHENG 2017/03/29 REV: A5	QUALITY SYMBOLS ▽=0 ▽=0	GENERAL TOLERANCES (UNLESS SPECIFIED) 4 PLACES ± .005 ± .005 3 PLACES ± .005 ± .005 2 PLACES ± .005 ± .005 1 PLACE ± .005 ± .005 ANGULAR ± 2°	DIMENSION STYLE MM/IN	SCALE DESIGN UNITS METRIC	THIRD ANGLE PROJECTION	DRAWN BY TEF 2003/08/11	TITLE MCX PLUG STR FOR RG179 75 OHMS MCX-PC EWR-2114
						CHECKED BY SSS 2003/08/11	
DRAFT WHERE APPLICABLE MUST REMAIN WITHIN DIMENSIONS			MATERIAL NO. SEE TABLE	DOCUMENT NO. SD-73415-449	SHEET NO. 1 OF 1	MOLEX INCORPORATED	
THIS DRAWING CONTAINS INFORMATION THAT IS PROPRIETARY TO MOLEX INCORPORATED AND SHOULD NOT BE USED WITHOUT WRITTEN PERMISSION							

MATERIALS AND FINISHES

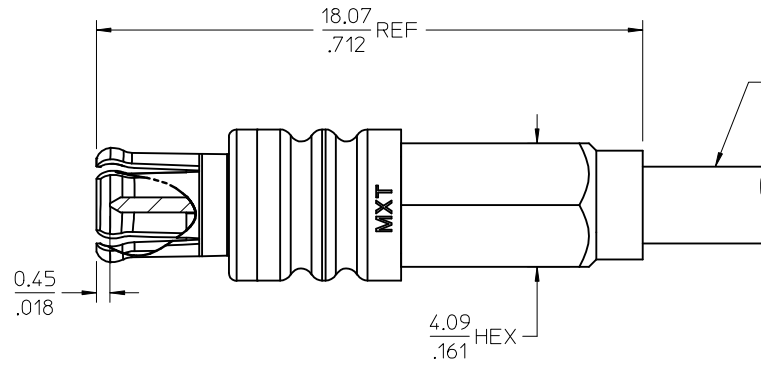
BODY: ZINC ALLOY
 PLATED (SEE TABLE)
 THICKNESS (SEE TABLE)

CENTER CONTACT: BRASS
 PLATED GOLD (THICKNESS SEE TABLE)

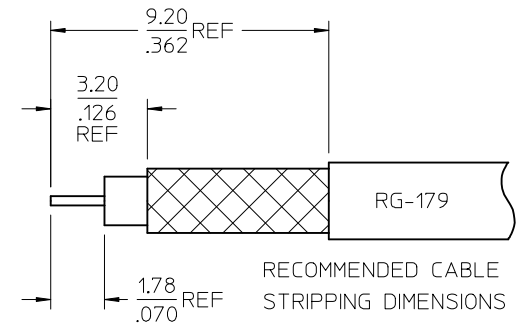
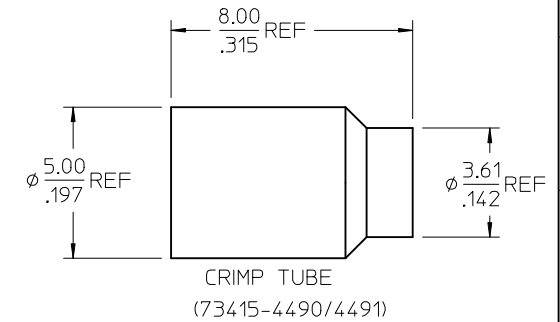
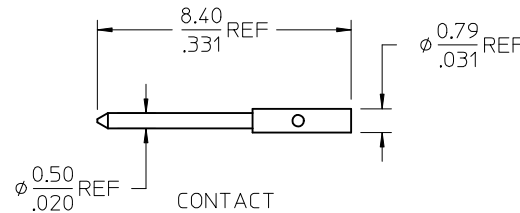
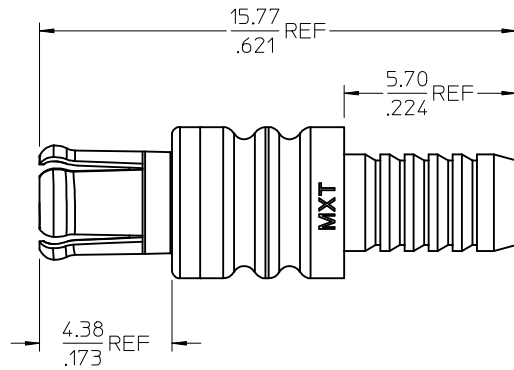
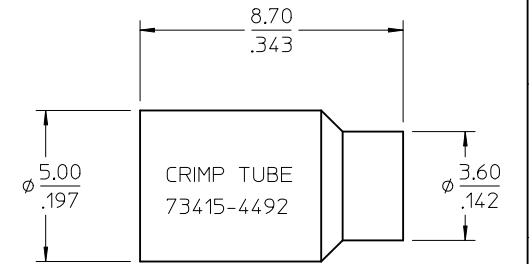
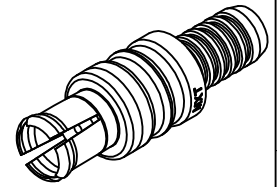
INSULATOR: TEFLON

OUTER CONTACT (OC): BERYLLIUM COPPER
 PLATED GOLD (THICKNESS SEE TABLE)

CRIMP TUBE: BRASS
 PLATED (SEE TABLE)
 THICKNESS (SEE TABLE)



RG179 CABLE



RECOMMENDED CABLE
 STRIPPING DIMENSIONS

73415-4492	BAG	70 μ" MIN NICKEL	30 μ" MIN	30 μ" MIN	70 μ" MIN NICKEL
73415-4491	ONE PER BAG	GOLD FLASH	10 μ" MIN	5 μ" MIN	10 μ" MIN GOLD
73415-4490	BAG	GOLD FLASH	10 μ" MIN	5 μ" MIN	10 μ" MIN GOLD
PART NO.	PACKAGING	BODY FINISH	CONTACT FINISH	OC FINISH	CRIMP TUBE FIN

CHG: BAG WAS BULK PER RF17-E062 EC NO: URF2017-0344 DRW: IN LIN 2017/03/27 CHKD: APPR: YCHENG 2017/03/29 REV: A5	QUALITY SYMBOLS ▽=0 ▽=0	GENERAL TOLERANCES (UNLESS SPECIFIED)		DIMENSION STYLE MM/IN		SCALE METRIC	DESIGN UNITS METRIC		THIRD ANGLE PROJECTION		
		4 PLACES ± --- ± --- 3 PLACES ± --- ± --- 2 PLACES ± --- ± --- 1 PLACE ± --- ± ---		DRAWN BY TEF 2003/08/11		DATE 2003/08/11		TITLE MCX PLUG STR FOR RG179 75 OHMS MCX-PC EWR-2114			
		ANGULAR ± 2 °		CHECKED BY SSS 2003/08/11		DATE 2003/08/11		APPROVED BY GMH 2003/08/11		MOLEX MOLEX INCORPORATED	
		DRAFT WHERE APPLICABLE MUST REMAIN WITHIN DIMENSIONS		MATERIAL NO. SEE TABLE		DOCUMENT NO. SD-73415-449		SHEET NO. 1 OF 1		THIS DRAWING CONTAINS INFORMATION THAT IS PROPRIETARY TO MOLEX INCORPORATED AND SHOULD NOT BE USED WITHOUT WRITTEN PERMISSION	