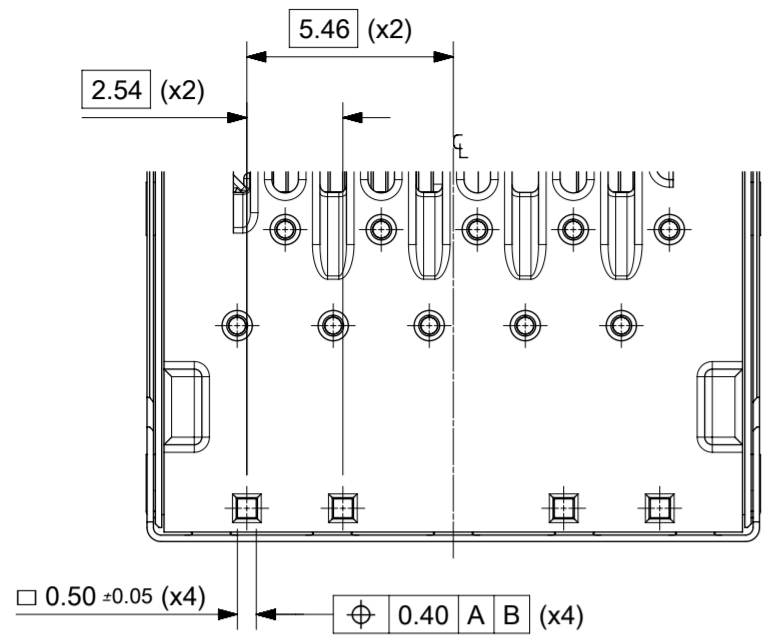
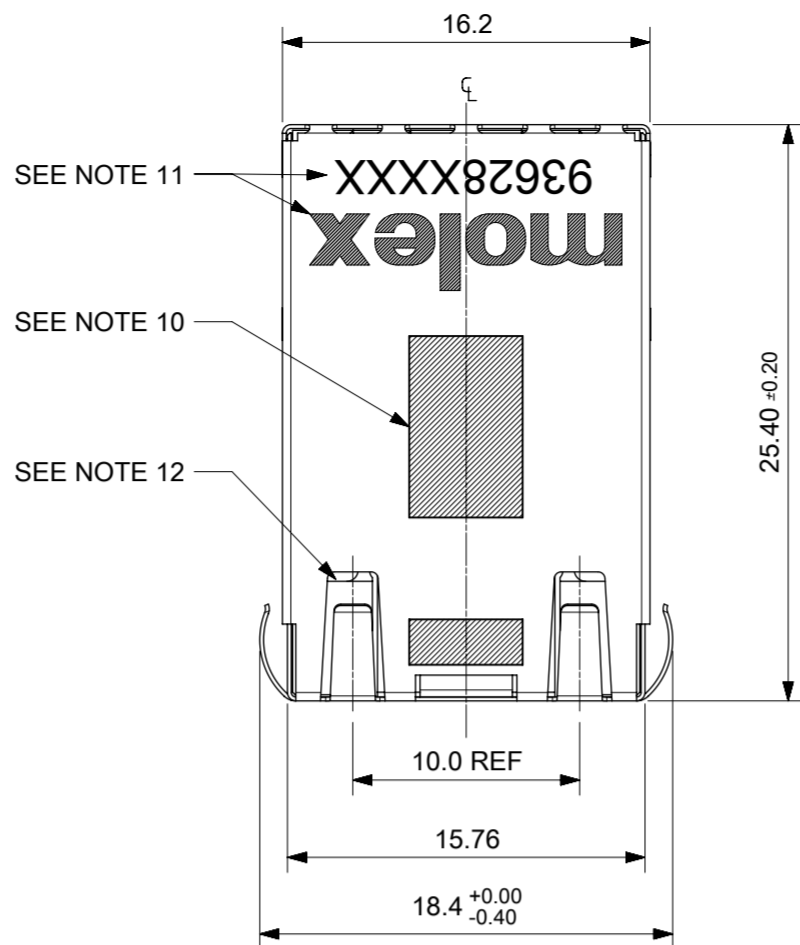


1 INCH MAGNETIC JACK
GIGABIT ETHERNET
W/LEDS W/SHIELD TABS



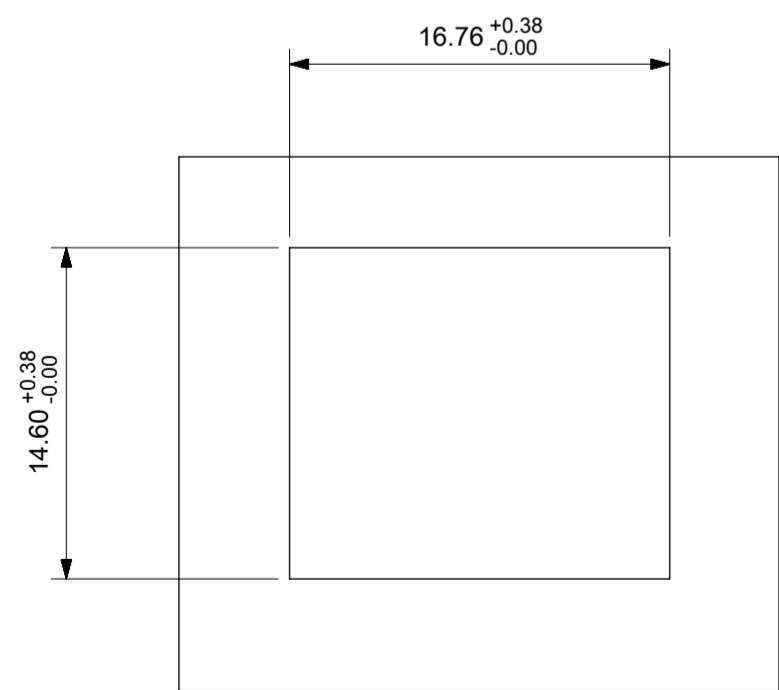
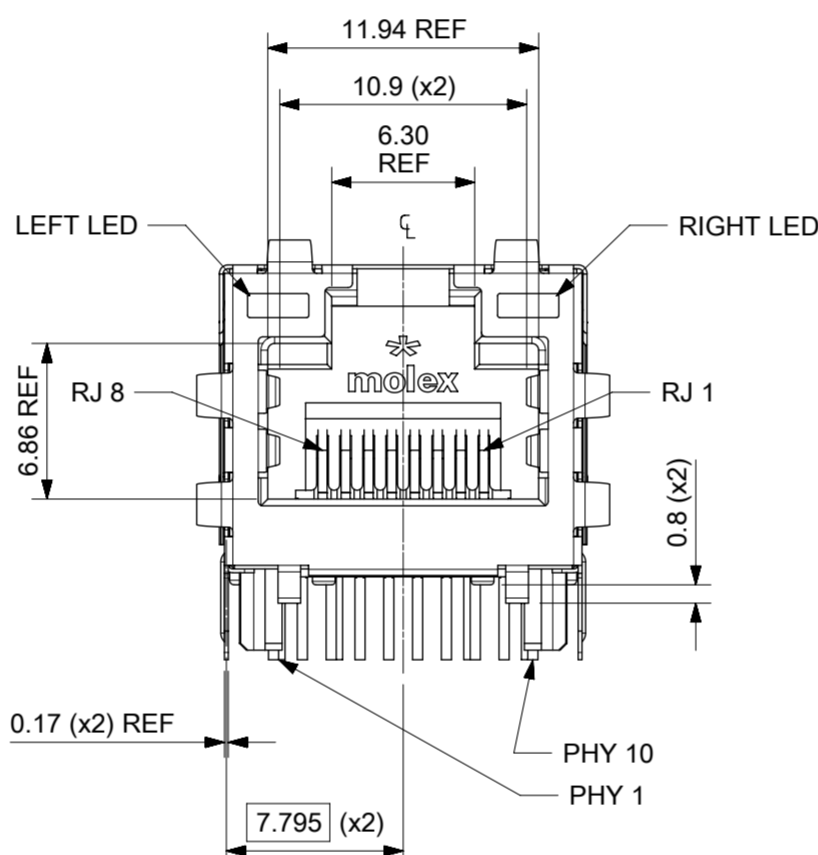
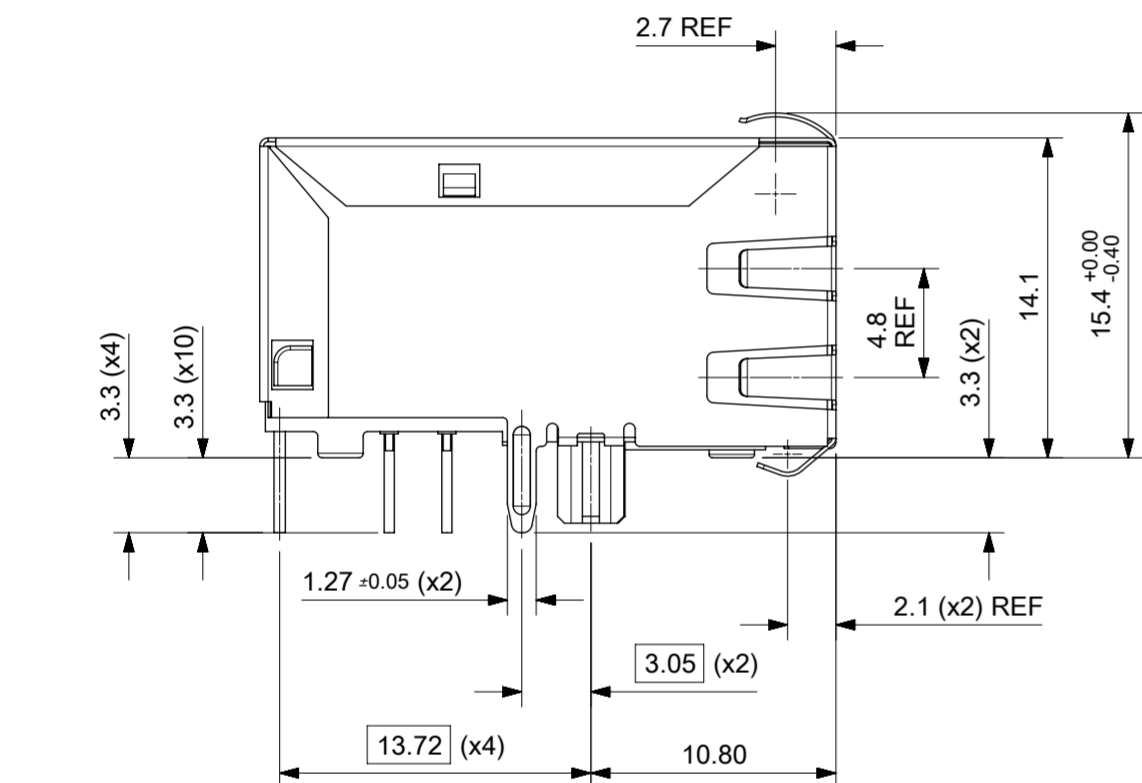
DETAIL A
SCALE 5:1



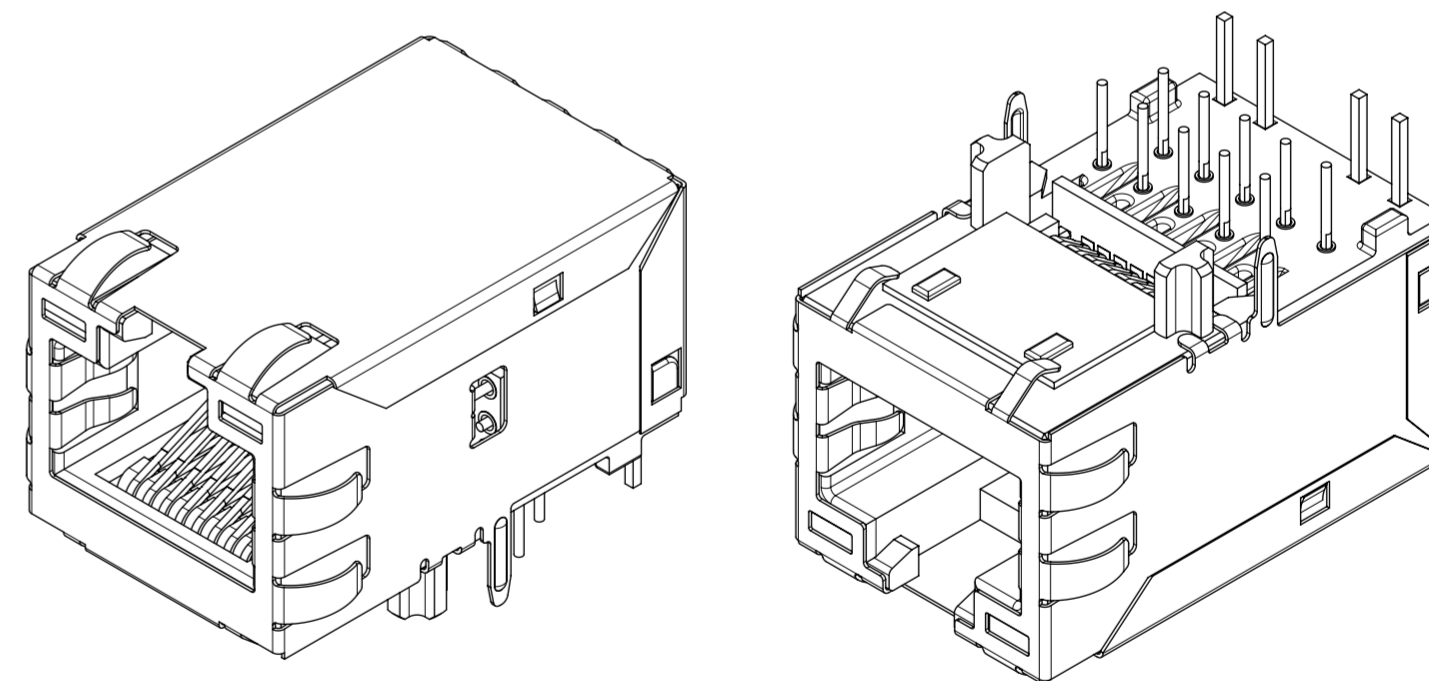
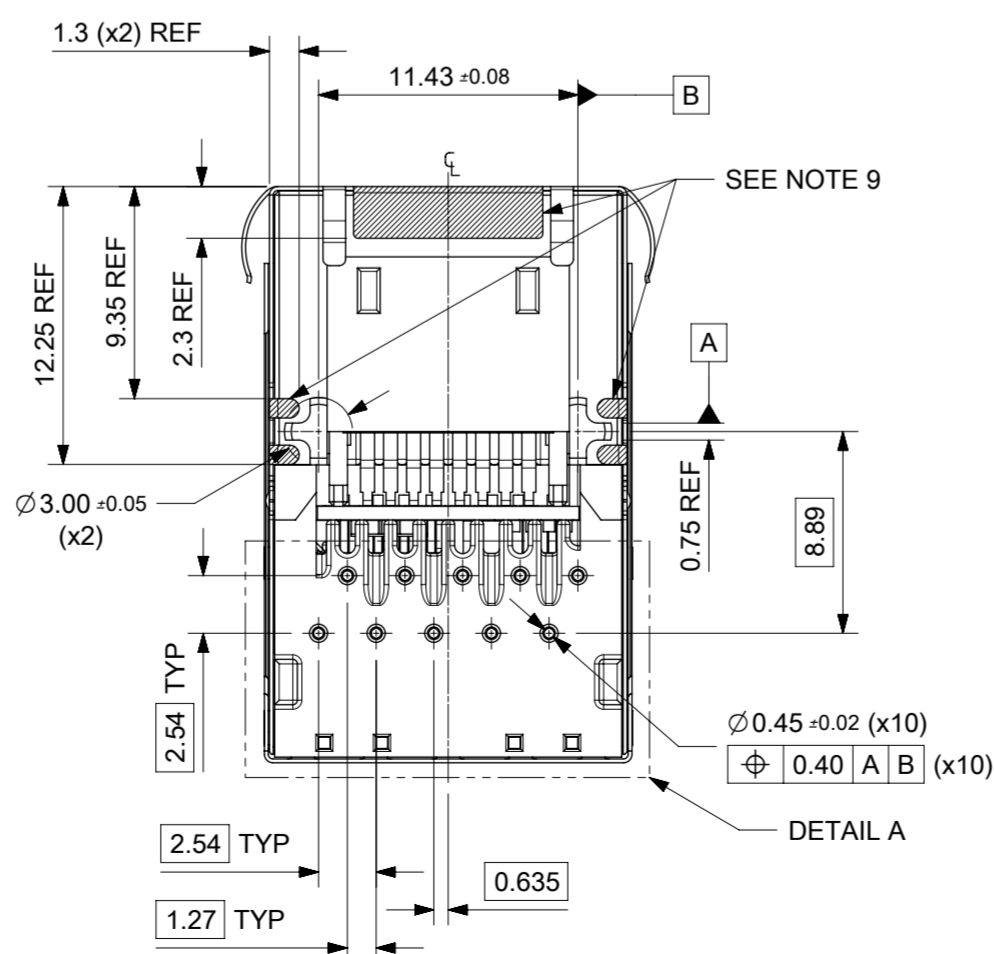
SEE NOTE 11
SEE NOTE 10
SEE NOTE 12

NOTES:

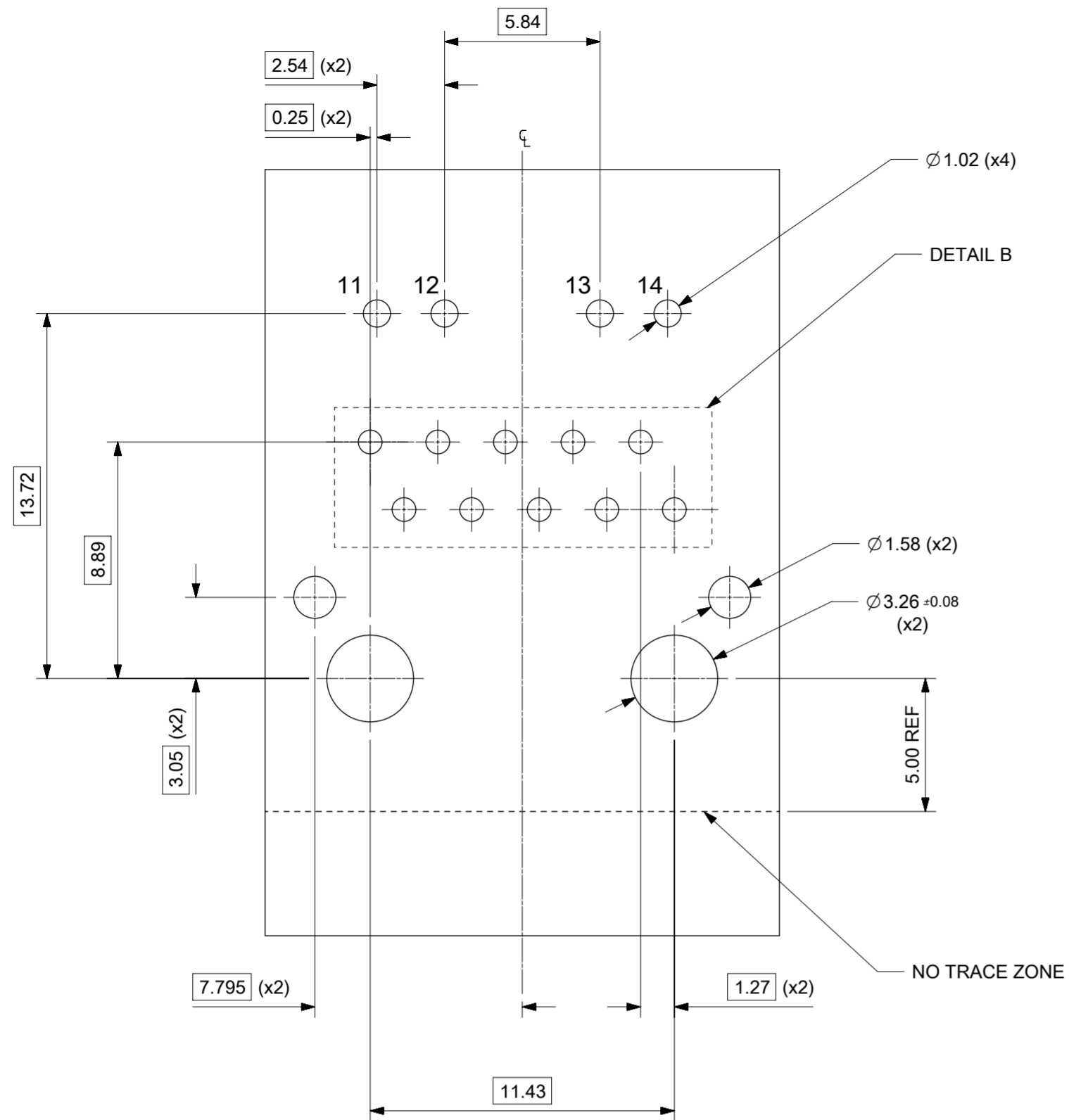
- 1 - SHIELD MATERIAL: 0.17 mm THICK BRASS PRE-PLATED WITH NICKEL.
SOLDER TABS POST DIPPED WITH MIN. 1.27 μm TIN
- 2 - HOUSING MATERIAL: LCP, BLACK, UL 94V-0
- 3 - TERMINALS MATERIAL: PHOSPHOR BRONZE
RJ45 CONTACT PLATING: BASE NICKEL, GOLD FLASH OVER PALLADIUM NICKEL
PHY SOLDER TAILS: COPPOR ALLOY REFER TO 934620001 PSP
- 4 - MATING INTERFACE ACCORDING TO IEC 60603-7 & TIA-1096-A
- 5 - PRODUCT SPECIFICATION: 934620001 PSP
- 6 - PACKAGING SPECIFICATION: 934620001 PSK TRAY
- 7 - STAND OFF TO SYSTEM BOARD 0.30 mm MIN
- 8 - RECOMMENDED PCB THICKNESS: 1.57 mm REF
- 9 - SHIELD: AVOID ROUTING TRACES
OR PLACING ANY VIAS BELOW THESE AREAS.
- 10 - AREA FOR PICK & PLACE: 5.0 mm x 8.0 mm
- 11 - INSCRIPTION MARKED BY LASER:
1st : MOLEX
2nd : P/N (SEE BOM)
- 12 - INSCRIPTION MARKED BY LASER:
DATA CODE (DAY/WEEK/YEAR)
- 13 - MATERIAL COMPLIANT TO ROHS DIRECTIVE 2002/95/EC



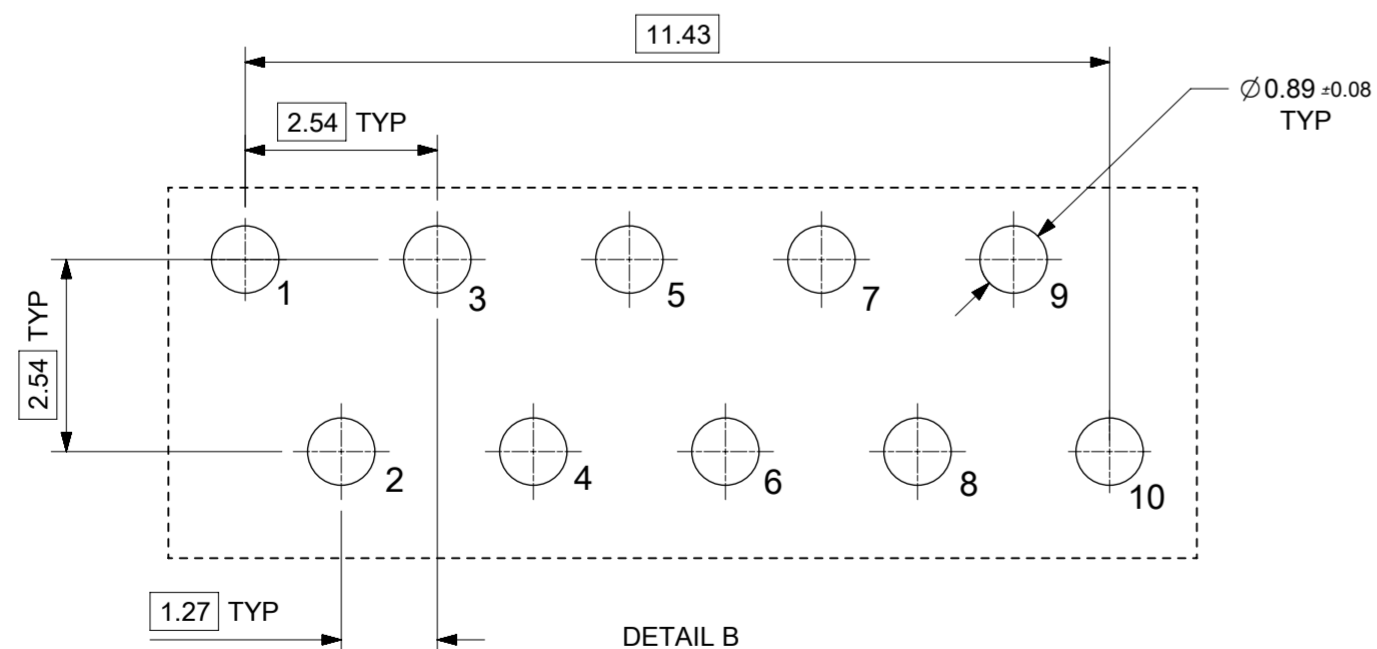
SUGGESTED PANEL CUT-OUT



THIS DRAWING CONTAINS INFORMATION THAT IS PROPRIETARY TO MOLEX ELECTRONIC TECHNOLOGIES, LLC AND SHOULD NOT BE USED WITHOUT WRITTEN PERMISSION													
UPDATED SCHEMATIC EC NO: 167044 DRWN: KREILLY CHKD: DSHEA REV: APPR: DBYRNES	2017/10/23	2017/10/31	2017/11/22	GENERAL TOLERANCES (UNLESS SPECIFIED)	DIMENSION UNITS	SCALE	<p>1" MXMAG 8 CORE GIG COM</p> <p>PRODUCT CUSTOMER DRAWING</p> <p>SERIES: 93628 MATERIAL NUMBER: SEE TABLE ON SHEET 2 CUSTOMER: GENERAL MARKET</p> <p>DOCUMENT NUMBER: 936280001 DOC TYPE: PSD DOC PART: 000 SHEET NUMBER: 1 OF 3</p>						
	ANGULAR TOL ± 2.0 °			mm	3:1								
	4 PLACES ±	DRWN BY: KREILLY		DATE: 2015/09/28	CH'D BY: DBYRNES								DATE: 2016/09/19
	3 PLACES ±	APPR BY: JALEXANDER		DATE: 2016/01/07	DRAWING SIZE: A2								THIRD ANGLE PROJECTION
	2 PLACES ± 0.1	DRAFT WHERE APPLICABLE MUST REMAIN WITHIN DIMENSIONS											



SUGGESTED BOARD LAYOUT
GIGABIT ETHERNET
VIEW FROM COMPONENT SIDE
ALL DIMS ARE REFERENCE



DETAIL B
SCALE 10:1

PIN CONFIGURATION
FOR GIG ETHERNET

PART NUMBER	LEFT LED	RIGHT LED
936283721	GREEN	GREEN
936283725	GREEN	GREEN/YELLOW

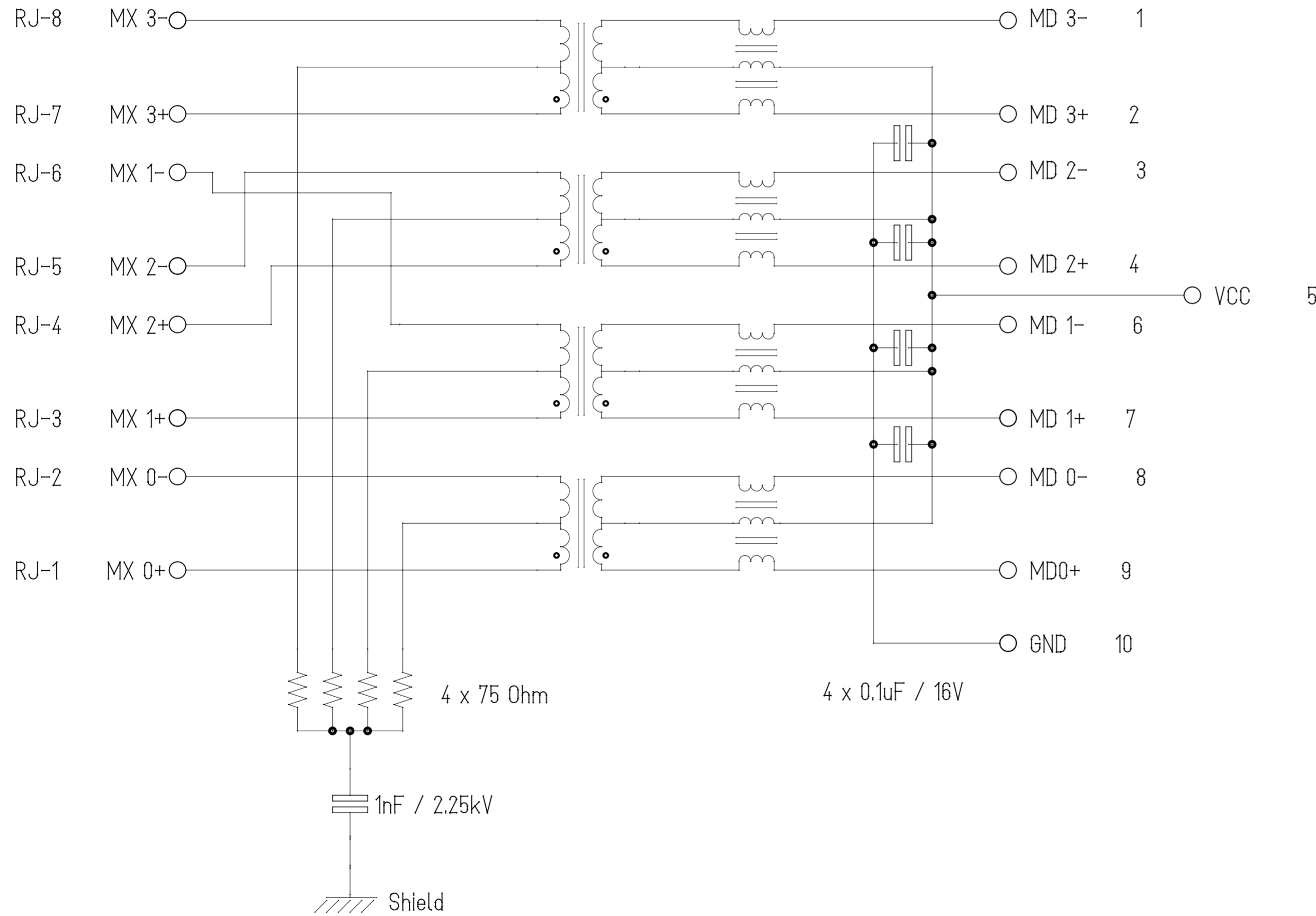
THIS DRAWING CONTAINS INFORMATION THAT IS PROPRIETARY TO MOLEX ELECTRONIC TECHNOLOGIES, LLC AND SHOULD NOT BE USED WITHOUT WRITTEN PERMISSION			
UPDATED SCHEMATIC EC NO: 167044 DRWN: KREILLY CHKD: DSHEA REV / APPR: DBYRNES	2017/10/23	GENERAL TOLERANCES (UNLESS SPECIFIED)	DIMENSION UNITS
	2017/10/31	ANGULAR TOL ± 2.0 °	mm
	2017/11/22	4 PLACES ±	SCALE
		3 PLACES ±	5:1
		2 PLACES ± 0.1	DRWN BY
	1 PLACE ± 0.2	DATE	KREILLY 2015/09/28
	0 PLACES ±	CHK'D BY	DATE
		DBYRNES	2016/09/19
		APPR BY	DATE
		JALEXANDER	2016/01/07
		DRAWING SIZE	THIRD ANGLE PROJECTION
		A2	
		DRAFT WHERE APPLICABLE MUST REMAIN WITHIN DIMENSIONS	
PRODUCT CUSTOMER DRAWING SERIES: 93628 MATERIAL NUMBER: SEE TABLE ON SHEET 2 CUSTOMER: GENERAL MARKET		molex® 1" MXMAG 8 CORE GIG COM	
RELEASE STATUS	P1	RELEASE DATE	22.11.2017 14:35:52
DOCUMENT NUMBER	936280001	DOC TYPE	PSD
DOC PART	000	SHEET NUMBER	2 OF 3

RJ-45 CONTACTS

WIRE-SIDE / RJ-45

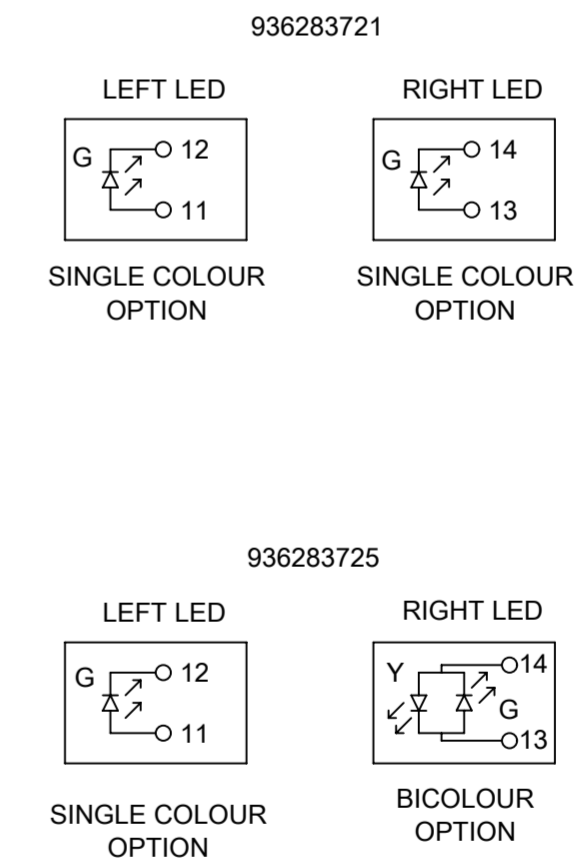
ETHERNET MAGNETICS

PHY-SIDE / PCB SIDE



Description	Value	
OCL @100 kHz, 0.1 V, 8 mA DC bias 0°C to + 70°C)	350 µH min.	
Turns ratio	1CT:1CT	
Transmission characteristics @ 25°C, all four pairs		
Insertion Loss		
Frequency f, (MHz)	Limits (dB max.)	Typical Values (dB max.)
1.0-9.9	0.4+0.1*log (f)	0.5 @ 10 MHz
10-49.9	0.5+0.3*log (f/10)	0.7 @ 50 MHz
50-79.9	1+1.4*log (f/80)	1.0 @ 80 MHz
80-100	1.3+3*log (f/100)	1.3 @ 100 MHz
Return Loss		
Frequency f, (MHz)	Limits (dB min.)	Typical Values (dB min.)
1.0-39.9	18	18 @ 40 MHz
40-100	12-20*log (f/80)	10 @ 100 MHz
CMR		
Frequency f, (MHz)	Limits (dB min.)	Typical Values (dB min.)
1.0-100	30	30 @ 100 MHz
NEXT		
Frequency f, (MHz)	Limits (dB min.)	Typical Values (dB min.)
1.0-39.9	35	35 @ 40 MHz
40-100	33-20*log (f/50)	27 @ 100 MHz
Isolation PHY to wire side	2.25 kV DC / 60 s	

ETHERNET TERMINALS



THIS DRAWING CONTAINS INFORMATION THAT IS PROPRIETARY TO MOLEX ELECTRONIC TECHNOLOGIES, LLC AND SHOULD NOT BE USED WITHOUT WRITTEN PERMISSION

UPDATED SCHEMATIC EC NO: 167044 DRWN: KREILLY CHK'D: DSHEA REV / APPR: DBYRNES	2017/10/23	GENERAL TOLERANCES (UNLESS SPECIFIED)	DIMENSION UNITS	SCALE		
	2017/10/31	4 PLACES ±	mm	1:1		
	2017/11/22	3 PLACES ±	ANGULAR TOL ± 2.0 °	DRWN BY		DATE
		2 PLACES ± 0.1		KREILLY		2015/09/28
	1 PLACE ± 0.2		CHK'D BY	DATE	1" MXMAG 8 CORE GIG COM	
	0 PLACES ±		DBYRNES	2016/09/19		
		DRAFT WHERE APPLICABLE MUST REMAIN WITHIN DIMENSIONS	DRAWING SIZE	THIRD ANGLE PROJECTION	PRODUCT CUSTOMER DRAWING SERIES: 93628 MATERIAL NUMBER: SEE TABLE ON SHEET 2 CUSTOMER: GENERAL MARKET	
			A2		DOCUMENT NUMBER: 936280001 DOC TYPE: PSD DOC PART: 000 SHEET NUMBER: 3 OF 3	