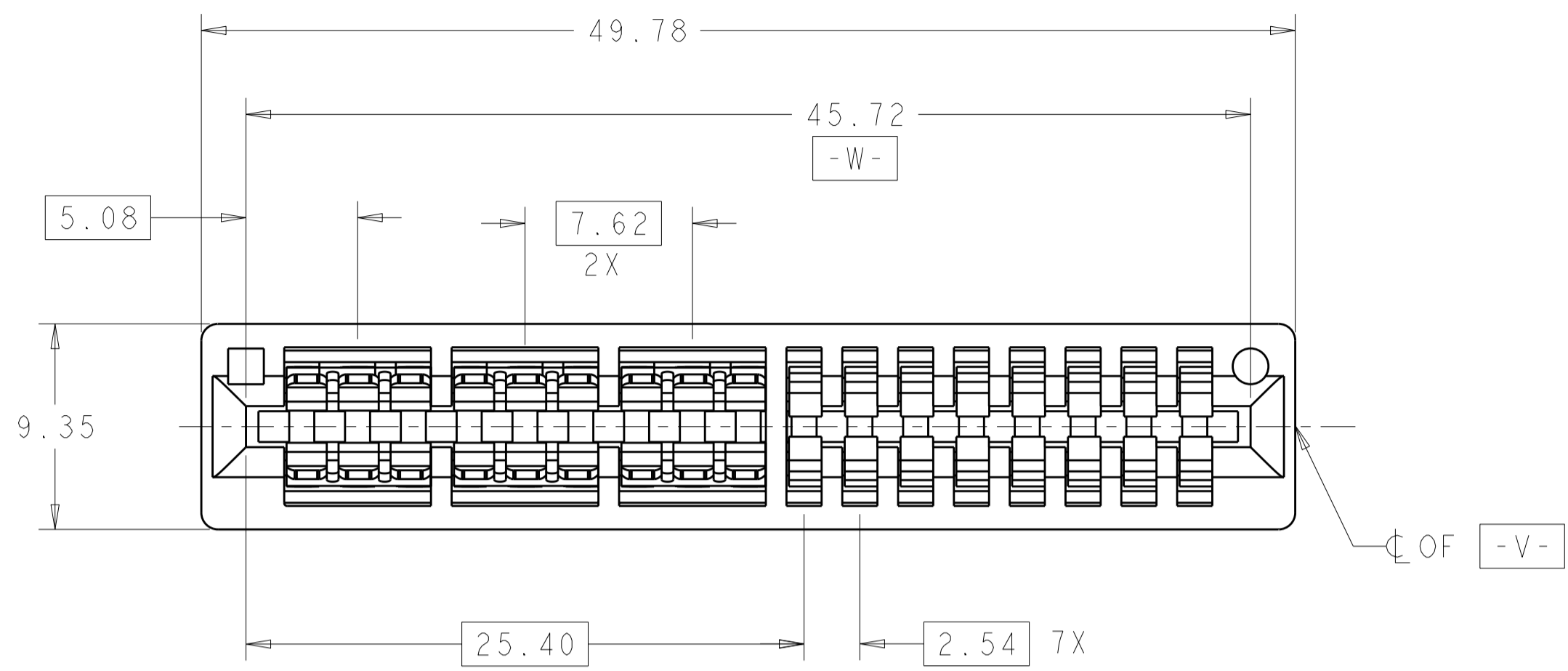
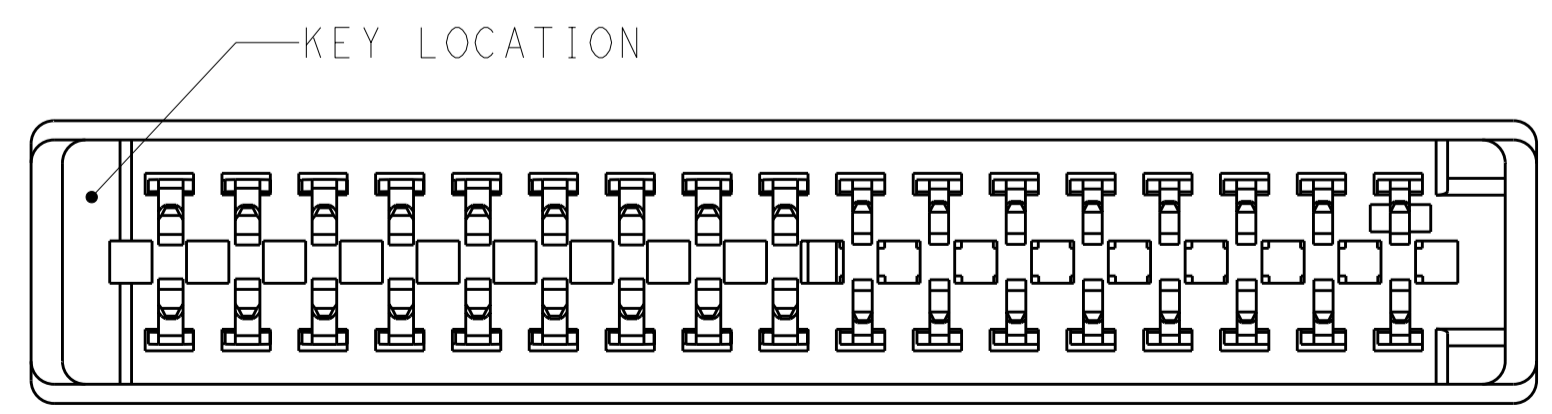
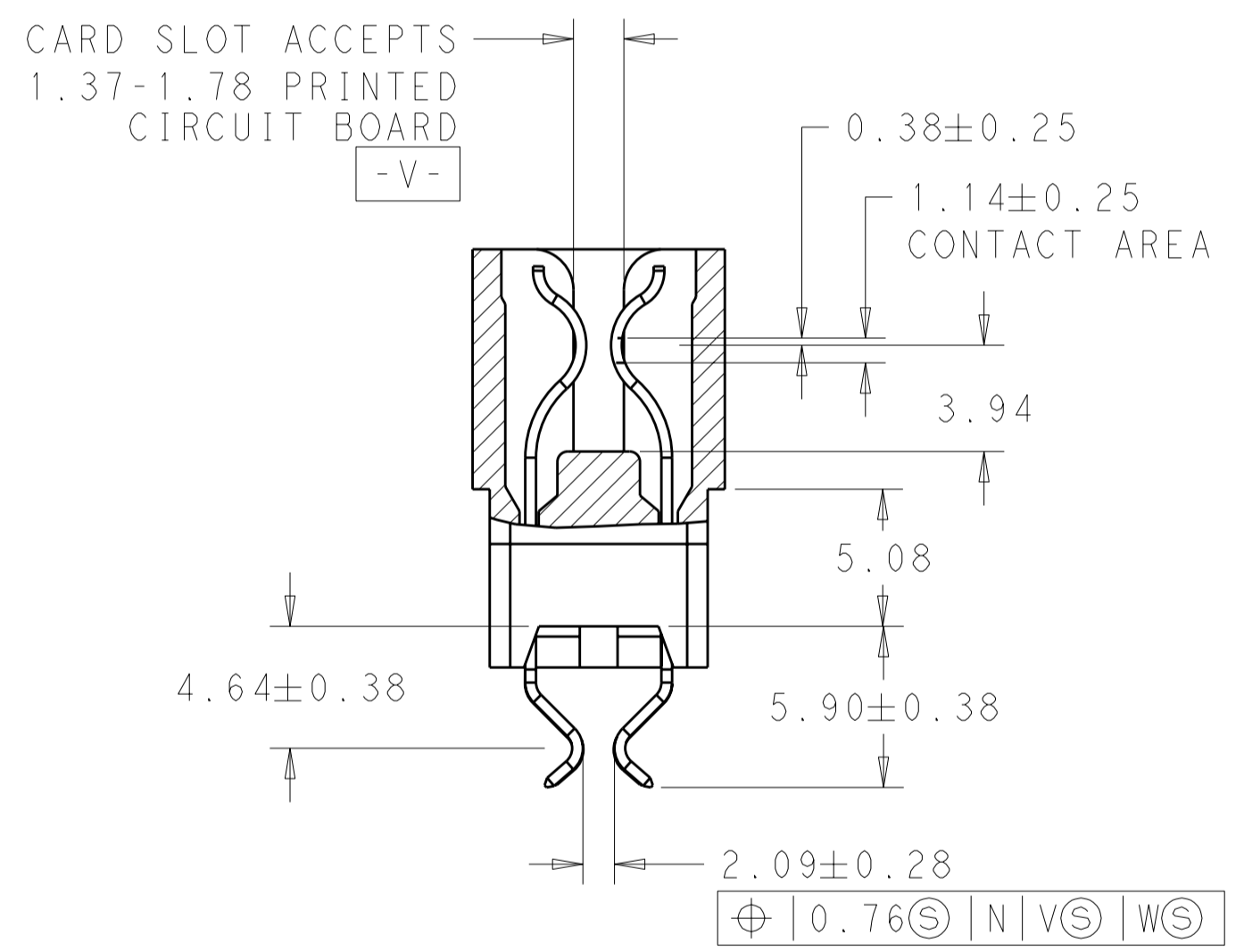
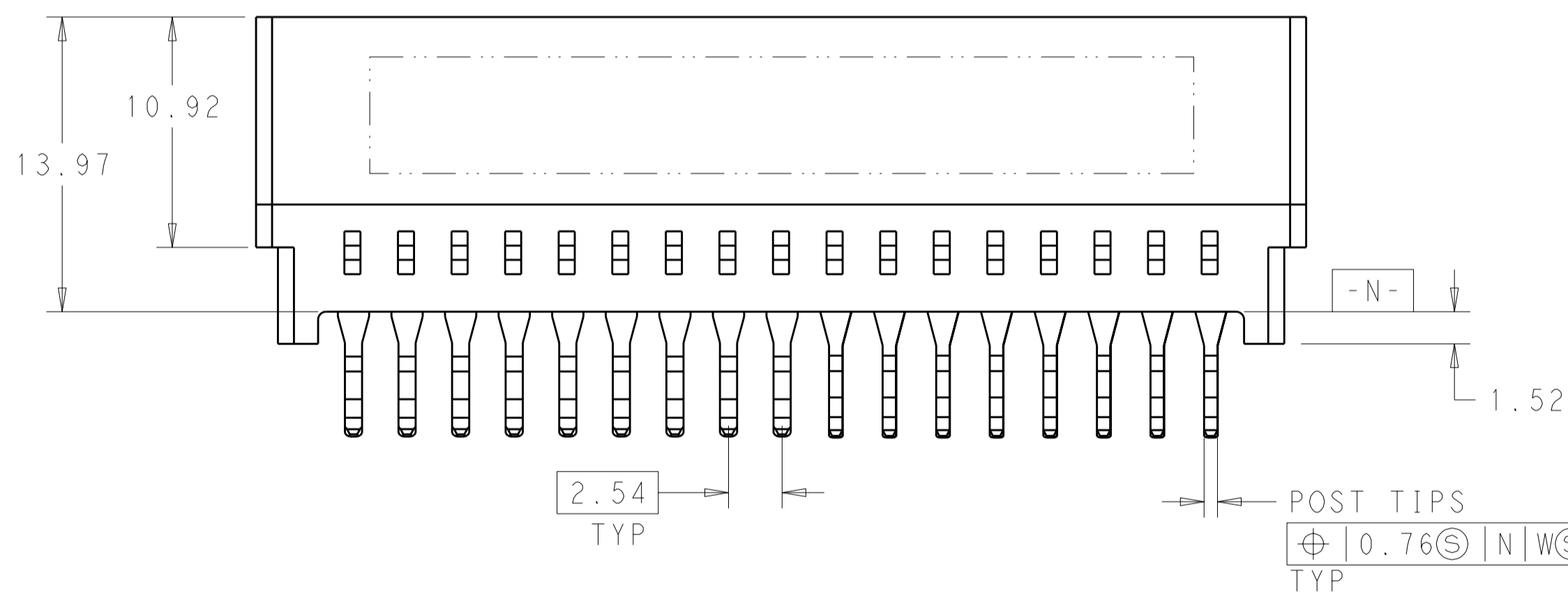


THIS DRAWING IS UNPUBLISHED. RELEASED FOR PUBLICATION 20
 © COPYRIGHT 20 BY TYCO ELECTRONICS CORPORATION. ALL INTERNATIONAL RIGHTS RESERVED.

| LOC | DIST | REVISIONS | | | |
|-----|------|-------------|-----------------------|-----------|-------|
| P | LTR | DESCRIPTION | DATE | DWN | APVD |
| GP | 00 | A | RELEASED | 19MAY2010 | RG MS |
| | | B | REV PER ECO-10-026305 | 21FEB2011 | RG MS |



- HOUSING MATERIAL: GLASS FILLED POLYESTER, COLOR, BLACK
 - CONTACT BASE MATERIAL: HIGH CONDUCTIVITY COPPER ALLOY
 - CONTACT FINISH: NICKEL PLATE, 1.27µm MIN. ALL OVER.
 MATTE TIN PLATE, 2.54µm MIN ON SOLDER POSTS.
 GOLD PLATE, 0.76µm MIN IN MATING INTERFACE.
- △ TYCO ELECTRONICS P/N AND DATE CODE MARKED IN APPROX AREA SHOWN.
 △ SEE TYCO ELECTRONICS APPLICATION SPEC 114-13018 FOR ADDITIONAL PCB DETAILS.

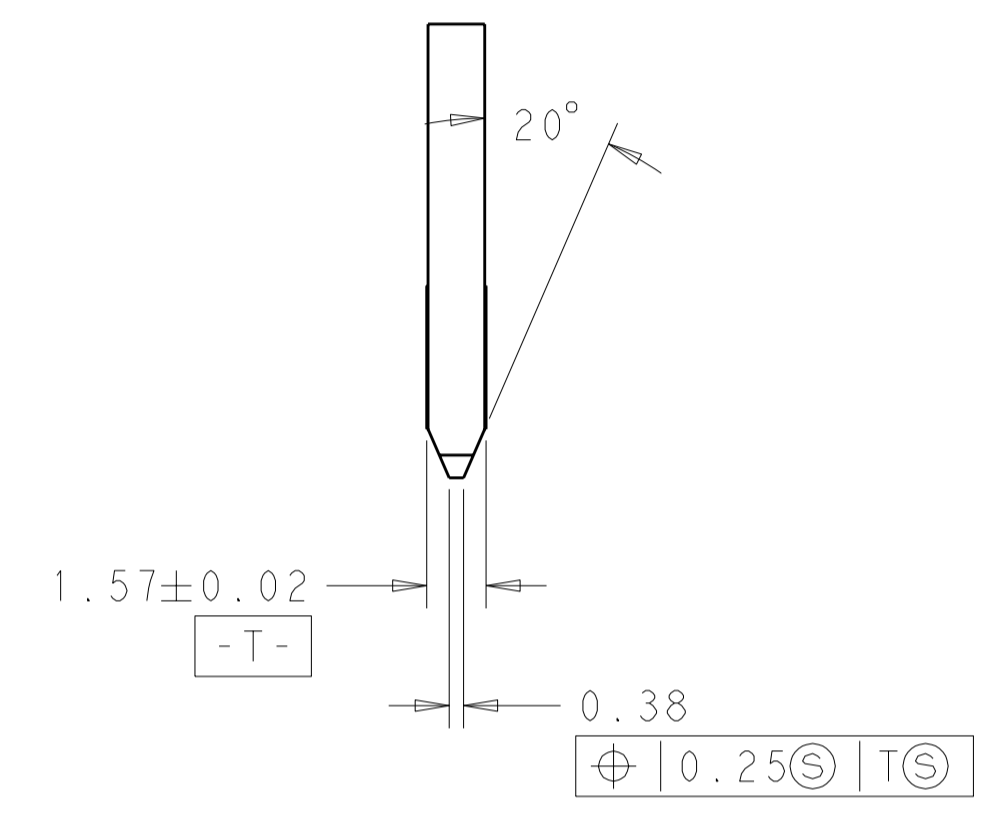
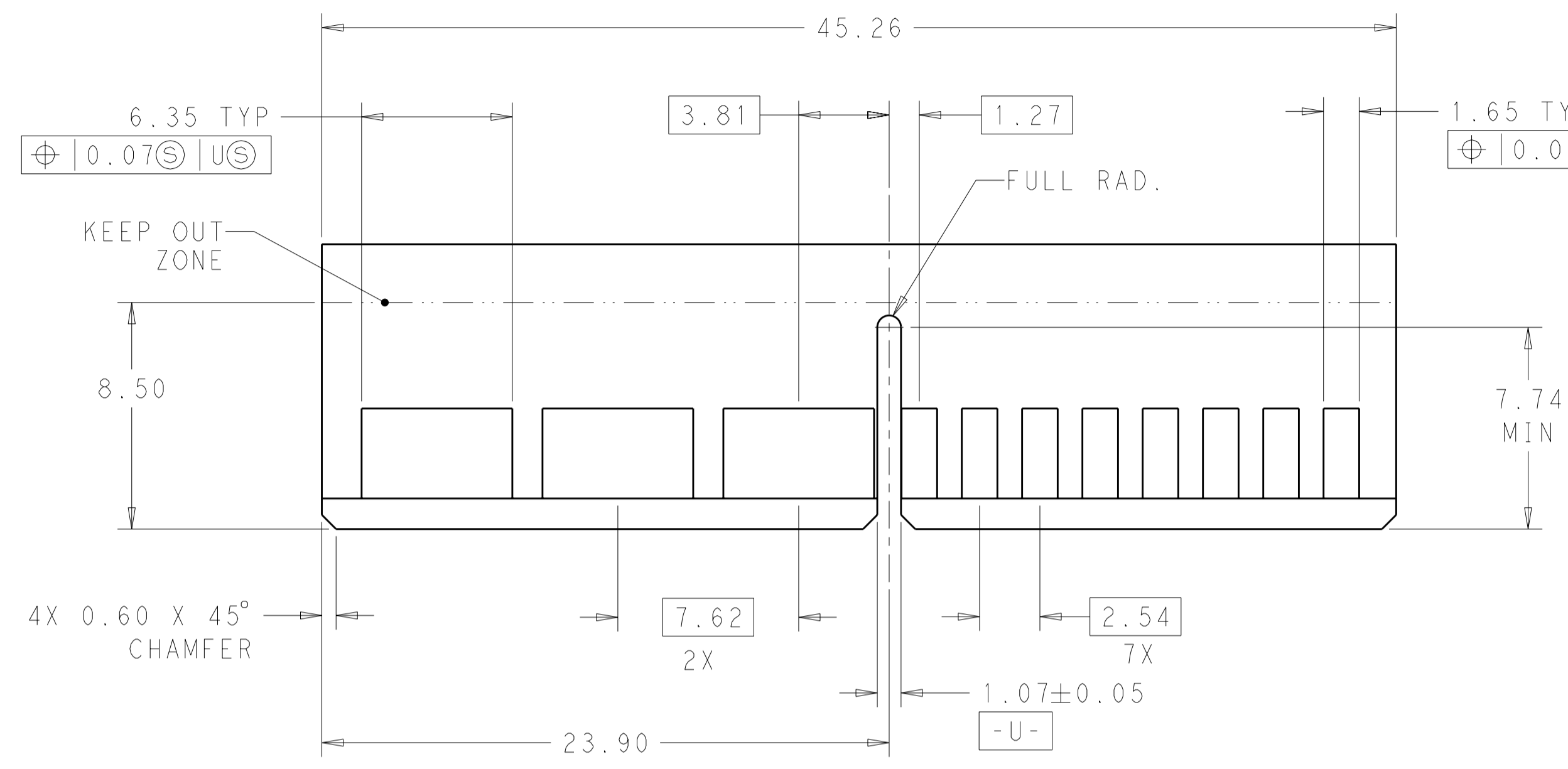


| | |
|-------------|-------------|
| AS SHOWN | 2132114-1 |
| DESCRIPTION | PART NUMBER |

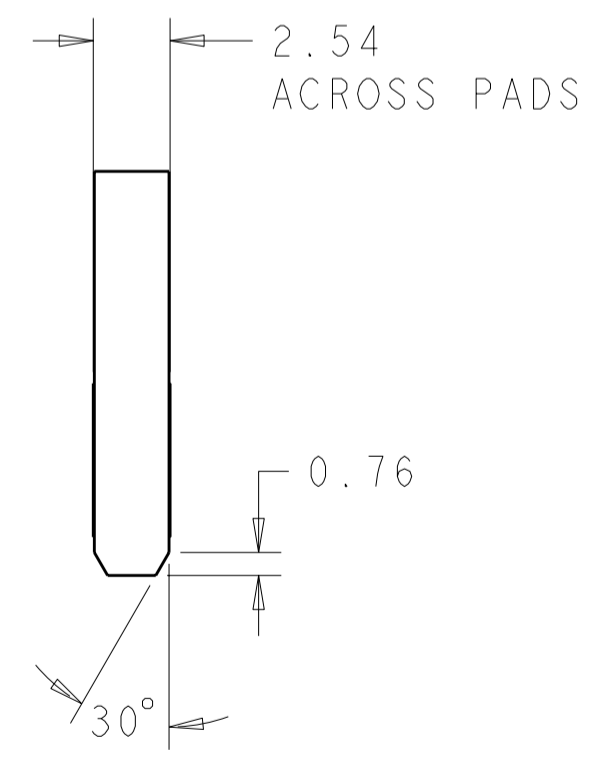
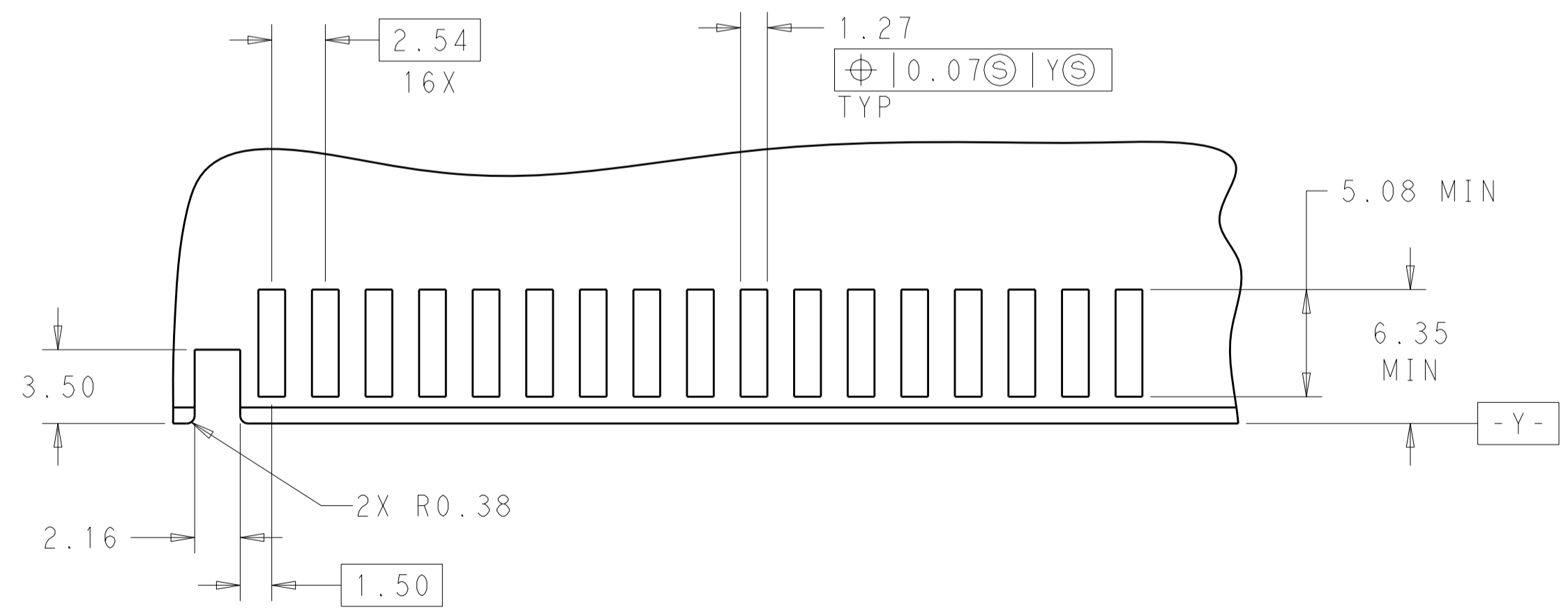
| | | | |
|---|--|--|---|
| THIS DRAWING IS A CONTROLLED DOCUMENT FOR TYCO ELECTRONICS CORPORATION. IT IS SUBJECT TO CHANGE AND THE CONTROLLING ENGINEERING ORGANIZATION SHOULD BE CONTACTED FOR THE LATEST REVISION. | | DWN R. GRZYBOWSKI 18NOV2009 | Tyco Electronics Harrisburg, PA 17105-3608 |
| DIMENSIONS: mm | | CHK E. HOWARD 18NOV2009 | |
| TOLERANCES UNLESS OTHERWISE SPECIFIED: | | APVD M. PERCHERKE 18NOV2009 | |
| 0 PLC ± 1 PLC ±0.5 2 PLC ±0.25 3 PLC ±0.13 4 PLC ± ANGLES ± FINISH ± | | PRODUCT SPEC 108-2202 APPLICATION SPEC 114-13018 WEIGHT - CUSTOMER DRAWING | |
| MATERIAL - | | NAME SURFACE MOUNT FOR CARD EDGE SEC II POWER CONNECTOR, 3POW X 8SIG CARD EDGE, S/M STYLE, 2.54 MB | RESTRICTED TO - |
| | | SIZE A2 | CAGE CODE 00779 |
| | | DRAWING NO. C-2132114 | SCALE 4:1 |
| | | SHEET 1 OF 2 | REV B |

THIS DRAWING IS UNPUBLISHED. RELEASED FOR PUBLICATION 20
 © COPYRIGHT 20 BY TYCO ELECTRONICS CORPORATION. ALL INTERNATIONAL RIGHTS RESERVED.

| LOC | DIST | REVISIONS | | | |
|-----|------|-------------|-------------|-----|------|
| P | LTR | DESCRIPTION | DATE | DWN | APVD |
| GP | 00 | - | SEE SHEET 1 | - | - |
| | | | | | |
| | | | | | |



RECOMMENDED MATING BOARD EDGE CONFIGURATION
TYPICAL BOTH SIDES



RECOMMENDED PCB LAYOUT FOR CONNECTOR MOUNTING
TYPICAL BOTH SIDES

| | | | | |
|---|--|--|---|------------------------------|
| THIS DRAWING IS A CONTROLLED DOCUMENT FOR TYCO ELECTRONICS CORPORATION. IT IS SUBJECT TO CHANGE AND THE CONTROLLING ENGINEERING ORGANIZATION SHOULD BE CONTACTED FOR THE LATEST REVISION. | | DWN R. GRZYBOWSKI 18NOV2009 | Tyco Electronics Harrisburg, PA 17105-3608 | |
| DIMENSIONS: mm | | CHK E. HOWARD 18NOV2009 | NAME SURFACE MOUNT FOR CARD EDGE SEC II POWER CONNECTOR, 3POW X 8SIG CARD EDGE, S/M STYLE, 2.54 MB | |
| TOLERANCES UNLESS OTHERWISE SPECIFIED: 0 PLC ± 1 PLC ±0.5 2 PLC ±0.25 3 PLC ±0.13 4 PLC ± ANGLES ± FINISH ± | | APVD M. PERCHERKE 18NOV2009 | SIZE A200779 | |
| MATERIAL - | | PRODUCT SPEC 108-2202 APPLICATION SPEC 114-13018 WEIGHT - | DRAWING NO C-2132114 RESTRICTED TO - | |
| | | CUSTOMER DRAWING | | SCALE 4:1 SHEET 2 OF 2 REV B |