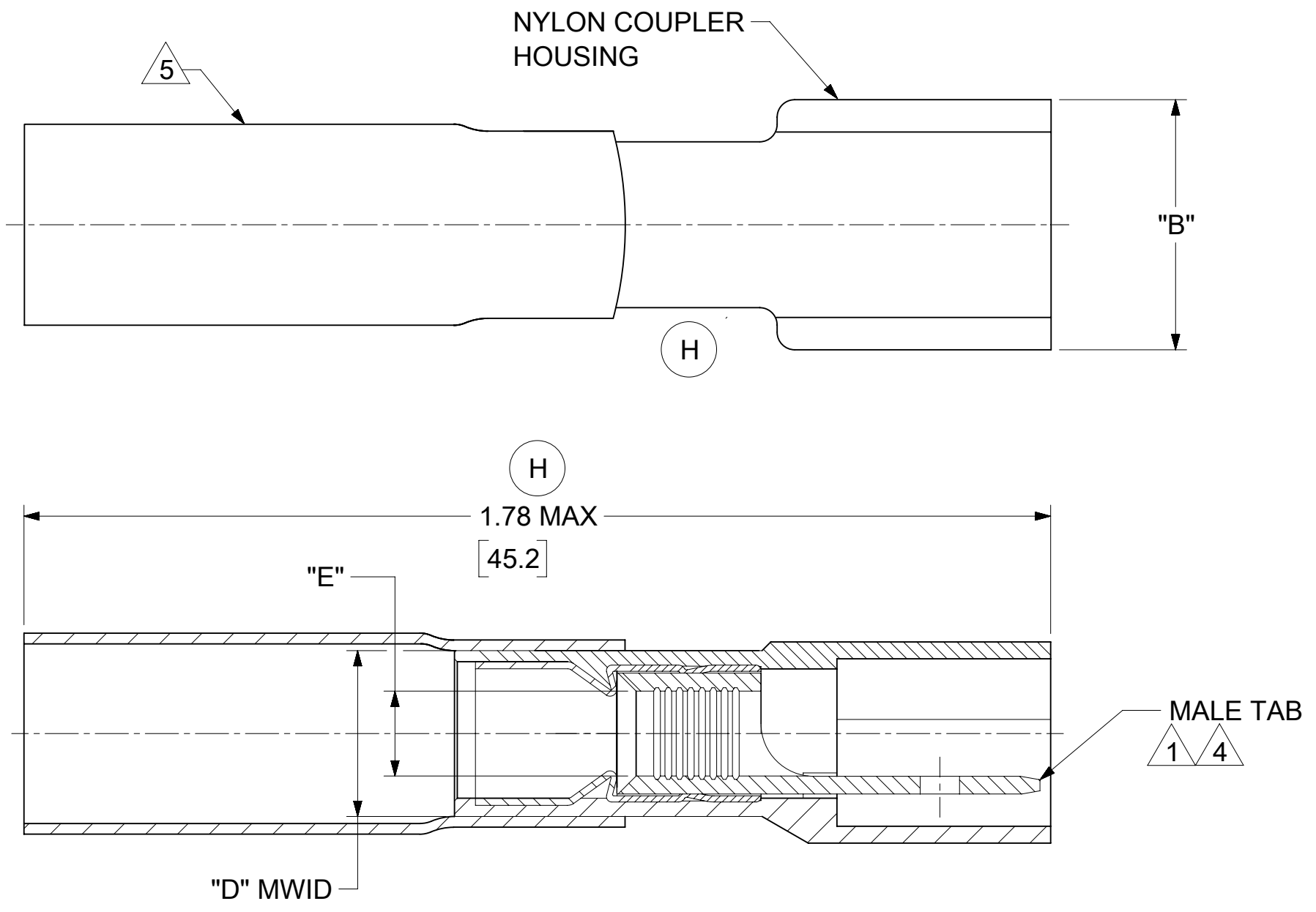


10	9	8	7	6	5	4	3	2	1
MATERIAL NO.	ENG NO.	WIRE SIZE (AWG)	WIRE SIZE (MM ²)	NYLON COLOR	"B" MAX	"D" MWID	"E" MIN DIA		
191640075	SC-9280	12-10	4.0 - 6.0	YELLOW	.46 (11.7)	.23 (5.8)	.148 (3.76)		



- NOTE(S):
- 1 MALE TAB CONFORM TO UL310.
 - 2. ALL DIM'S SHOWN ARE BEFORE SHRINK TUBING IS HEATED.
 - 3. "MWID" = MAX WIRE INSULATION DIAMETER.
 - 4 TAB MATERIAL: COPPER ALLOY, PLATING : TIN
 - 5 YELLOW NYLON HEAT SHRINKABLE TUBING WITH HOTMELT INNER LINER.
 - 6. ALL PARTS ARE RoHS COMPLIANT.

THIS DRAWING CONTAINS INFORMATION THAT IS PROPRIETARY TO MOLEX ELECTRONIC TECHNOLOGIES, LLC AND SHOULD NOT BE USED WITHOUT WRITTEN PERMISSION									
FUNCTIONAL SYMBOLS	DIMENSION UNITS	SCALE	CURRENT REV DESC: ADD .200 GAP PER PCN #511248. OAL DIM: 1.78 MAX WAS 1.59						
$\nabla_A = 0$	INCH/MM	NTS	<p>molex</p> <p>PERMA-SEAL COUPLER MALE TAB TERMINAL 12-10 AWG</p> <p>PRODUCT CUSTOMER DRAWING</p> <p>DOCUMENT NUMBER: SD-19164-039 DOC TYPE: PSD DOC PART: 001 REVISION: H</p> <p>EC NO: 697037 DRWN: DMYRICK 2021/08/04 CHK'D: JMACNEIL 2022/07/05 APPR: JMACNEIL 2022/07/05</p> <p>INITIAL REVISION: DRWN: APPR:</p> <p>DRAFT WHERE APPLICABLE MUST REMAIN WITHIN DIMENSIONS</p> <p>THIRD ANGLE PROJECTION</p> <p>DRAWING: B-SIZE SERIES: 19164 MATERIAL NUMBER: CUSTOMER: GENERAL MARKET SHEET NUMBER: 1 OF 1</p>						
$\nabla_E = 0$	GENERAL TOLERANCES (UNLESS SPECIFIED)								
$\nabla_F = 0$	MM	INCH							
DIVISIONAL SYMBOLS	4 PLACES	±							
	3 PLACES	±							
	2 PLACES	±							
	1 PLACE	±							
	0 PLACES	±							
	ANGULAR TOL	± °							