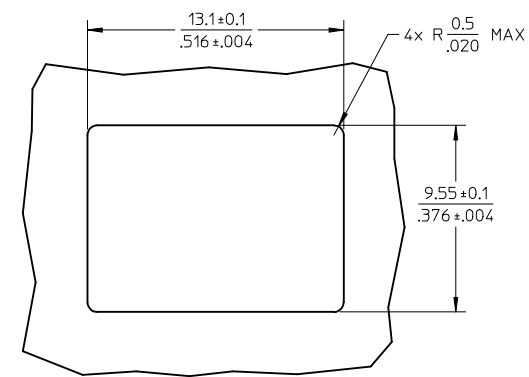
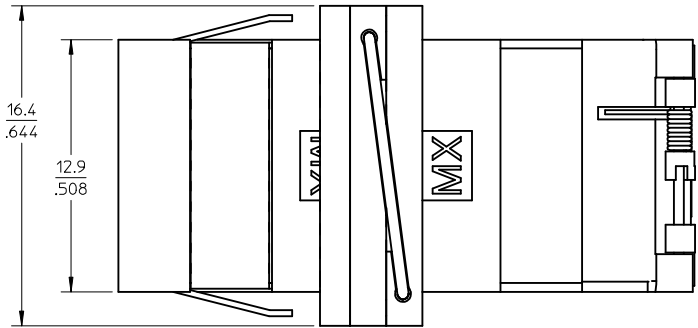
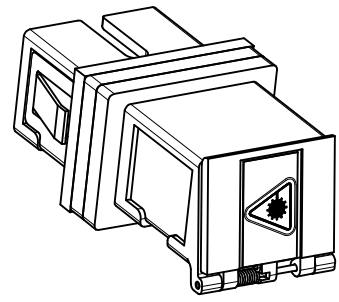
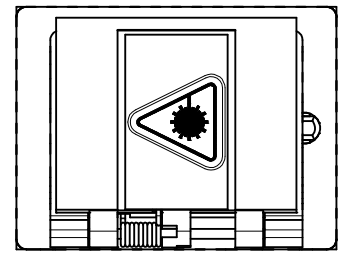
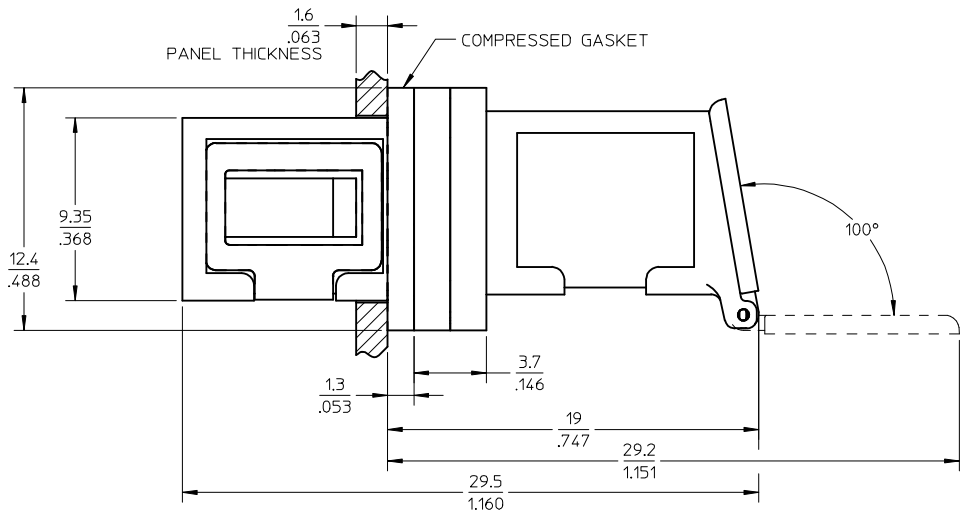


10 9 8 7 6 5 4 3 2 1



RECOMMENDED PANEL CUTOUT
PANEL THICKNESS - 1.6mm/.063"

- NOTES:
1. ALL DIMENSIONS ARE FOR REFERENCE ONLY.
 2. CONDUCTIVE SILICONE GASKET WITH NI/C FILLER IS SUPPLIED WITH PART.
 3. PART IS DIECAST.
 4. DUST CAPS NOT SHOWN.
 5. ADAPTERS TO BE PACKAGED IN TRAY.

ENTER DESCRIPTION
EC NO: MF2010-0012
DRAWN: KPEVZNER
CHKD: KPEVZNER
APPR: IGUMIN
A2

QUALITY SYMBOLS
▽=0
▽=0

GENERAL TOLERANCES (UNLESS SPECIFIED)	
mm	INCH
4 PLACES ± .004	± .0001
3 PLACES ± .005	± .0002
2 PLACES ± .007	± .0003
1 PLACE ± .010	± .0004
ANGULAR ± 1/2°	

DRAFT WHERE APPLICABLE
MUST REMAIN
WITHIN DIMENSIONS

DIMENSION STYLE
MM/IN
DRAWN BY
PGIBLIN
CHECKED BY
DATE
2005/10/31
APPROVED BY
DATE

SCALE
4:1
MATERIAL NO.
1061163000
SIZE
B

DESIGN UNITS
INCH
THIRD ANGLE PROJECTION
TITLE
SC EMI ADAPTER
(SNAP MOUNT, W/SHUTTERS)
MOLEX INCORPORATED
DOCUMENT NO.
SD-106116-3000
SHEET NO.
1 OF 1
THIS DRAWING CONTAINS INFORMATION THAT IS PROPRIETARY TO MOLEX INCORPORATED AND SHOULD NOT BE USED WITHOUT WRITTEN PERMISSION

9 8 7 6 5 4 3 2 1