

# SCNRF - 6A AP - SAFR

SUNTSU

CONNECTOR

RF

MAXIMUM FREQUENCY  
6 GHz

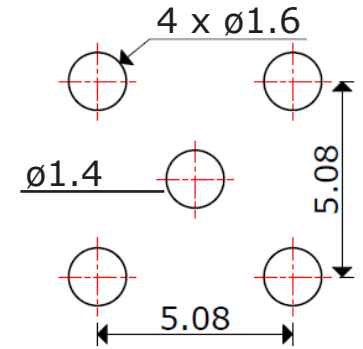
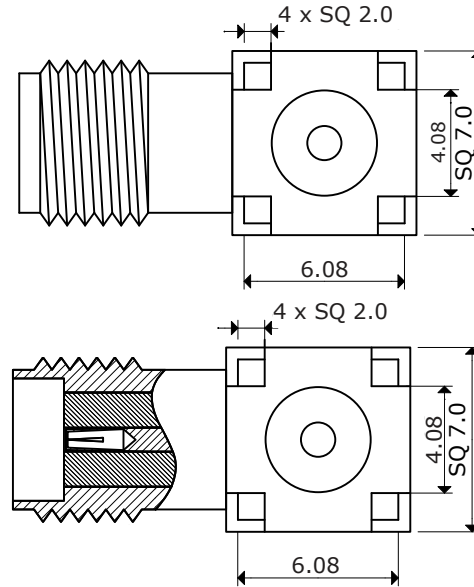
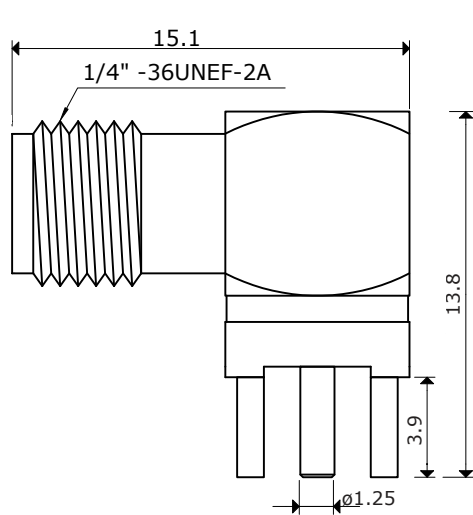
IMPEDANCE  
50Ω

MOUNT TYPE  
PCB  
Through Hole

CONNECTOR TYPE  
SMA

GENDER  
Female

ORIENTATION  
Right Angle



**Recommended  
Mounting  
Layout**

Impedance: 50Ω  
 Frequency Range: 0GHz - 6GHz  
 Voltage Standing Wave Ratio (VSWR): 1.5 MAX  
 Working Voltage: 170 Vrms MAX  
 Dielectric Withstanding Voltage: 500 Vrms MAX  
 Operating Temperature: -55°C to 85°C  
 Storage Temperature: -60°C to 165°C  
 Center Contact Resistance: 3 mΩ MAX  
 Outer Contact Resistance: 2 mΩ MAX  
 Insulation Resistance: 2000 MΩ MIN



## SMA PCB MOUNT FEMALE RIGHT ANGLE CONNECTOR

Document History				Part No.	REV.	Drawn	Page
Edits Made	Date	Edited By	Approved By	SCNRF-6AAP-SAFR	A	B. Gibbons	02/02/2021
Initial Release	02/02/2021	B. Gibbons	KH Mun				02/02/2021
				Drawing No.	SCALE	Checked	1 / 1
					None	KH Mun	
				Tolerance	UNIT	Approved	
					mm	KH Mun	02/02/2021