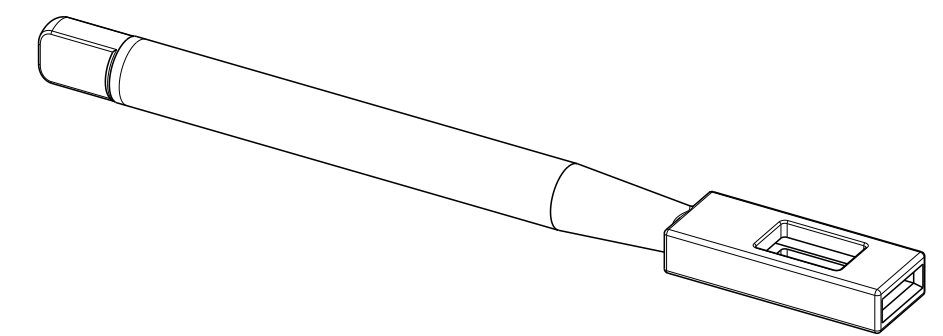
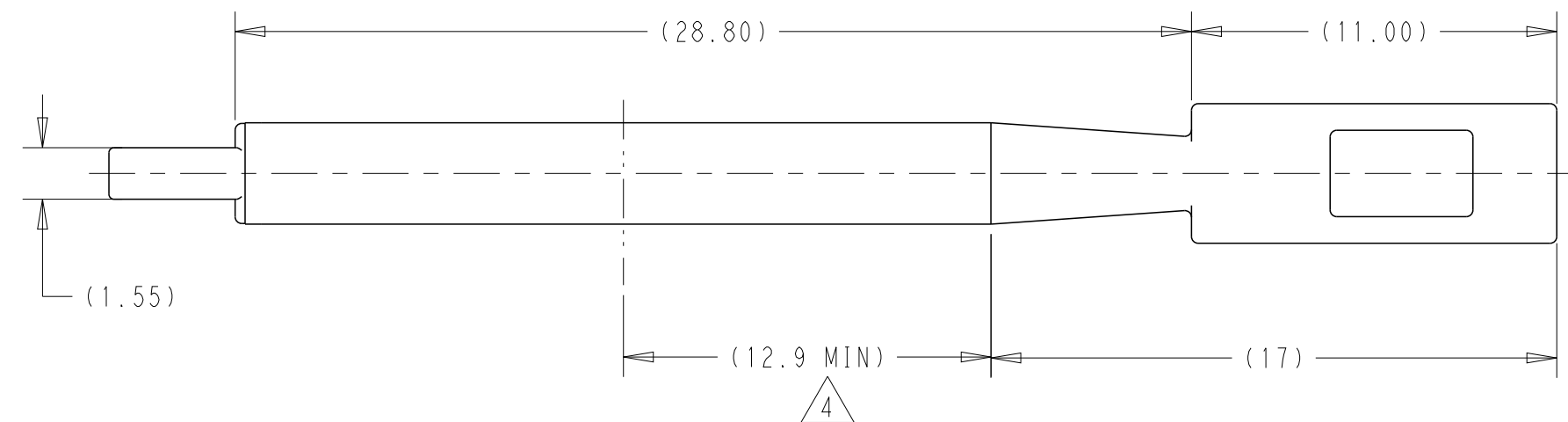
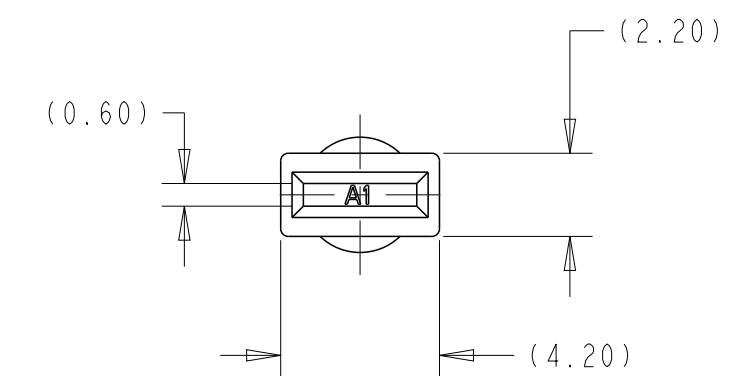
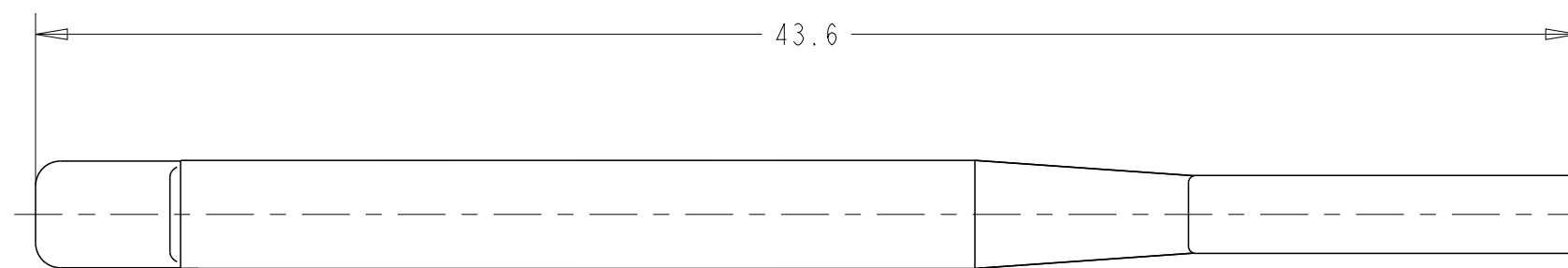
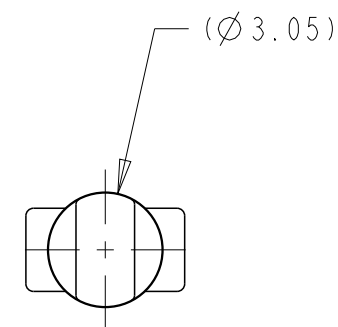


REVISIONS					
P	LTR	DESCRIPTION	DATE	DWN	APVD
A		REVISED PER ECO-20-017096	04DEC2020	AB	DW

1. PART NUMBER 2373242-1 AS SHOWN ON DRAWING.
2. MATERIAL: PBT, 15% GLASS FILLED.
COLOR: SEE TABLE
3. NOTE DELETED.
4. SEAL SURFACE IN THIS AREA.



ISO VIEW
SCALE 3:1

NATURAL	CAVITY PLUG, MAT SEAL, 2.8 APEX MALE	2373242-1
COLOR	DESCRIPTION	PART NO

THIS DRAWING IS A CONTROLLED DOCUMENT.		DWN A. BETGAR 28 JUL 2020	TE Connectivity	
DIMENSIONS:		CHK D. WISSLER 29 JUL 2020		
mm		APVD D. BROWN 30 JUL 2020		
TOLERANCES UNLESS OTHERWISE SPECIFIED:		PRODUCT SPEC	NAME CAVITY PLUG, MAT SEAL, 2.8 APEX MALE	
0 PLC	±	-	APPLICATION SPEC	
1 PLC	±0.4	-	SIZE	
2 PLC	±0.20	-	CAGE CODE	
3 PLC	±	-	DRAWING NO	
4 PLC	±	-	RESTRICTED TO	
ANGLES	±1°	-	A2 00779 C-2373242	
FINISH	-	-	SCALE 5:1 SHEET 1 OF 1 REV A	
MATERIAL	-	-	CUSTOMER DRAWING	