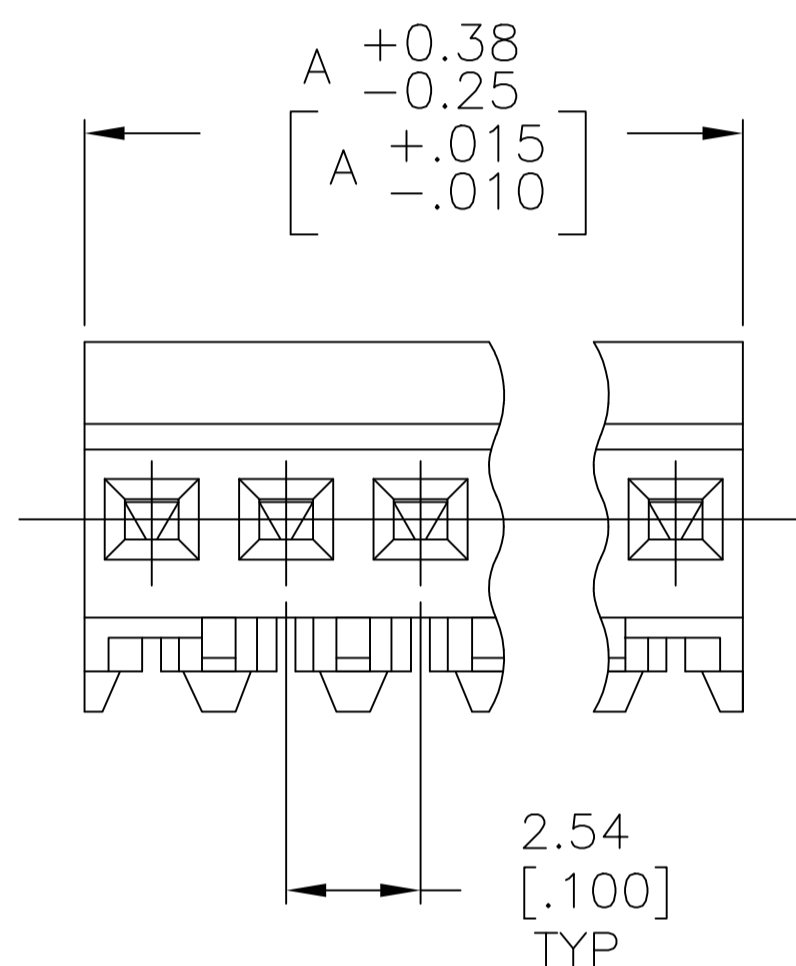
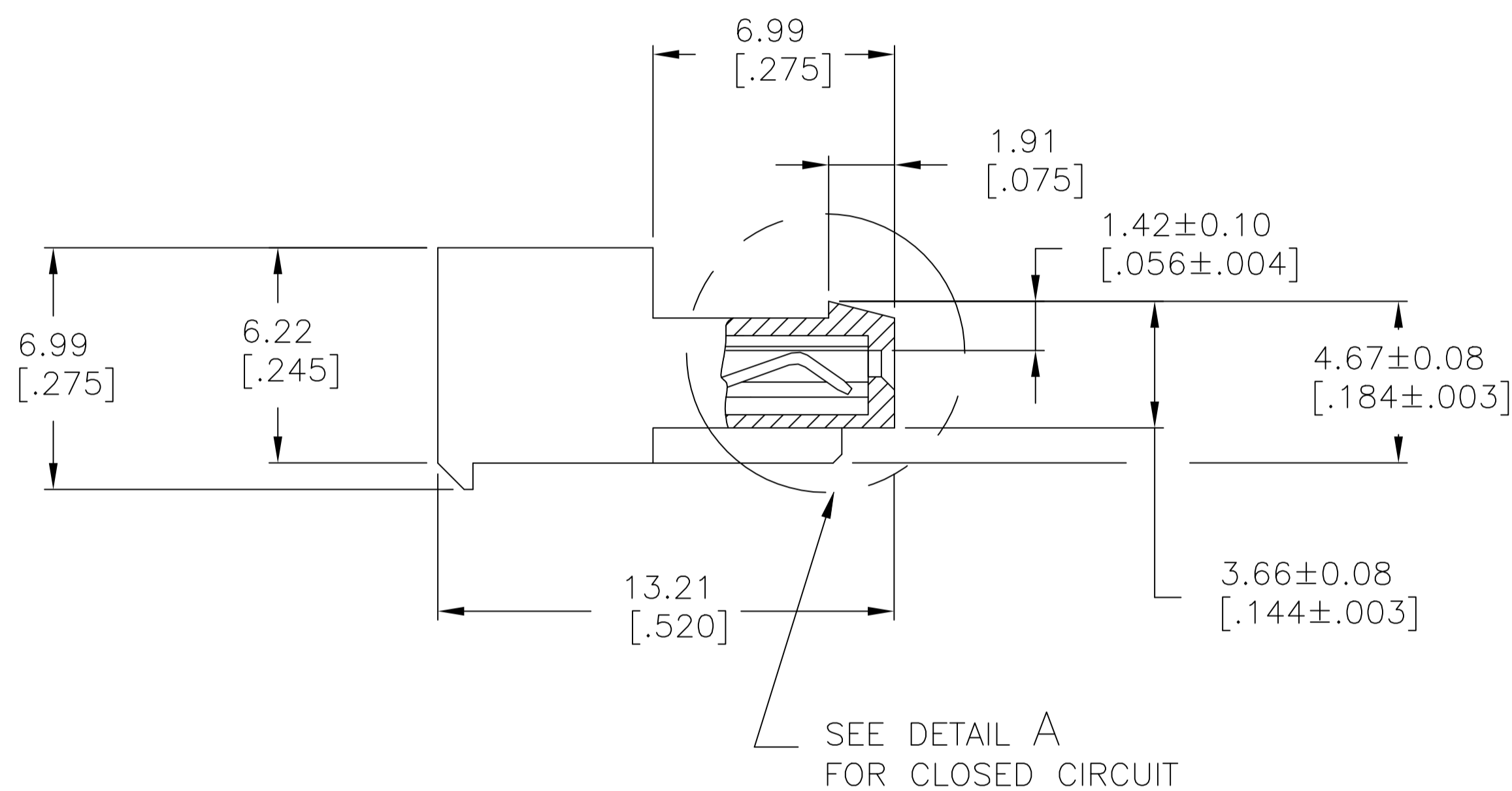
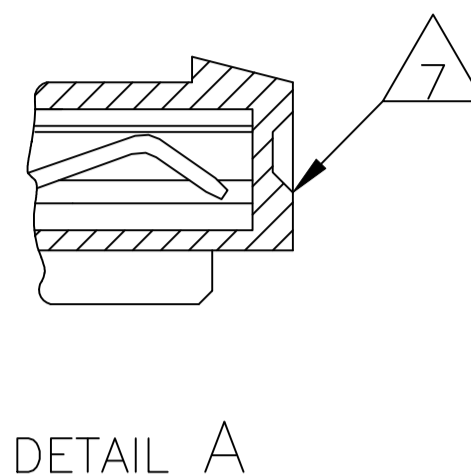
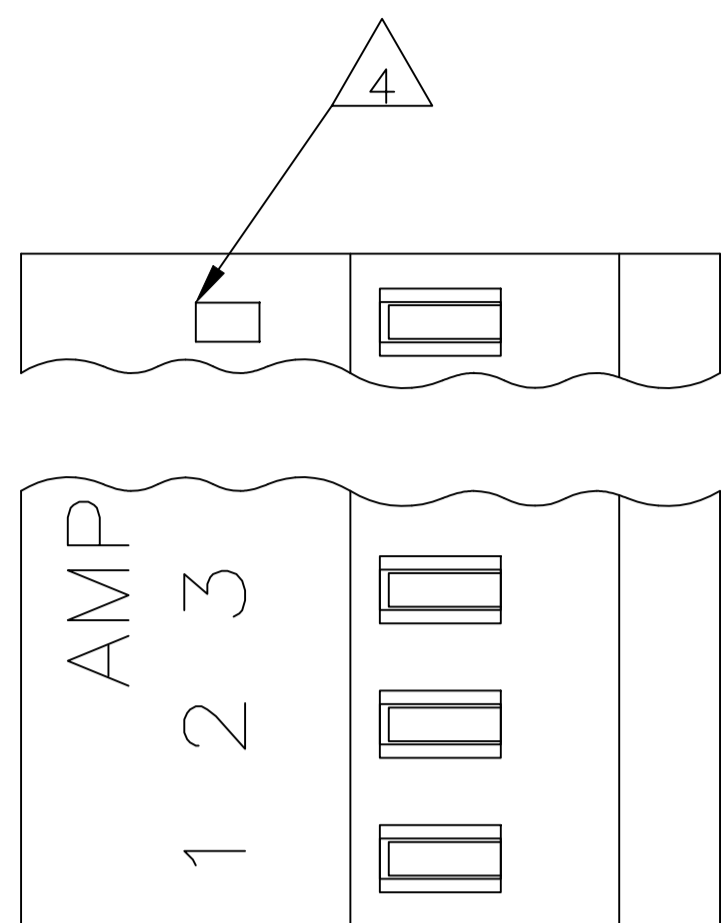


THIS DRAWING IS UNPUBLISHED. RELEASED FOR PUBLICATION  
 © COPYRIGHT - TE Connectivity Ltd. ALL RIGHTS RESERVED.

REVISIONS					
P	LTR	DESCRIPTION	DATE	DWN	APVD
	K	REVISED PER ECR-17-018757	25APR2018	BDA	SG



1 MATERIAL: CONNECTOR - NYLON UL94V-2 (WHITE).  
 CONTACTS - 0.30[.012] THICK COPPER ALLOY  
 MATTE WHISKER MITIGATED TIN  
 0.00203[.000080] MIN THICKNESS  
 OVER NICKEL UNDERPLATE OR BRIGHT  
 TIN-LEAD 93/7 0.00203[.000080] MIN  
 THICKNESS. SEE FINISH COLUMN FOR  
 PLATING TYPE.

2. CONTACTS ACCEPT 24 AWG WIRE WITH 1.52[.060] MAX  
 INSULATION DIAMETER.

3. CONTACTS MUST ACCEPT 0.64±0.03[.025±.001]  
 POST AND REMAIN LOCKED IN POSITION.

4 IDENTIFICATION NUMBER FOR LAST CIRCUIT MAY  
 NOT APPEAR ON ALL ASSEMBLIES.

5. DIMENSIONS IN BRACKETS ARE IN INCHES.

6. HOUSING FEATURES ARE: CLOSED END WITH LOCKING RAMP.

7 DETAIL A SHOWS CIRCUIT NO.4 MOLDED CLOSED.

8 OBSOLETE PARTS

FINISH	DIM A	NO OF CIRCUITS	PART NO
TIN	17.78 [.700]	7	3-643586-7
TIN-LEAD	17.78 [.700]	7	-643586-7-

8 SUPERSEDED

THIS DRAWING IS A CONTROLLED DOCUMENT.

DWN B. LEWIS 22APR91	TE Connectivity Ltd.					
CHK R. SWING 22APR91						
APVD G. MILLER 22APR91						
NAME MTA-100 CONNECTOR ASSEMBLY, 24 AWG, NO.4 CIRCUIT CLOSED, SPECIAL						
DIMENSIONS: mm [INCHES]	TOLERANCES UNLESS OTHERWISE SPECIFIED:	PRODUCT SPEC 108-1050	SIZE A2	CAGE CODE 00779	DRAWING NO C=643586	RESTRICTED TO -
0 PLC ± -	1 PLC ± -	APPLICATION SPEC 114-1019	WEIGHT	SCALE 5:1	SHEET 1 of 1	REV K
2 PLC ± -	3 PLC ± .13[.005]	FINISH 1	CUSTOMER DRAWING			
4 PLC ± -	ANGLES ± -					