

4

3

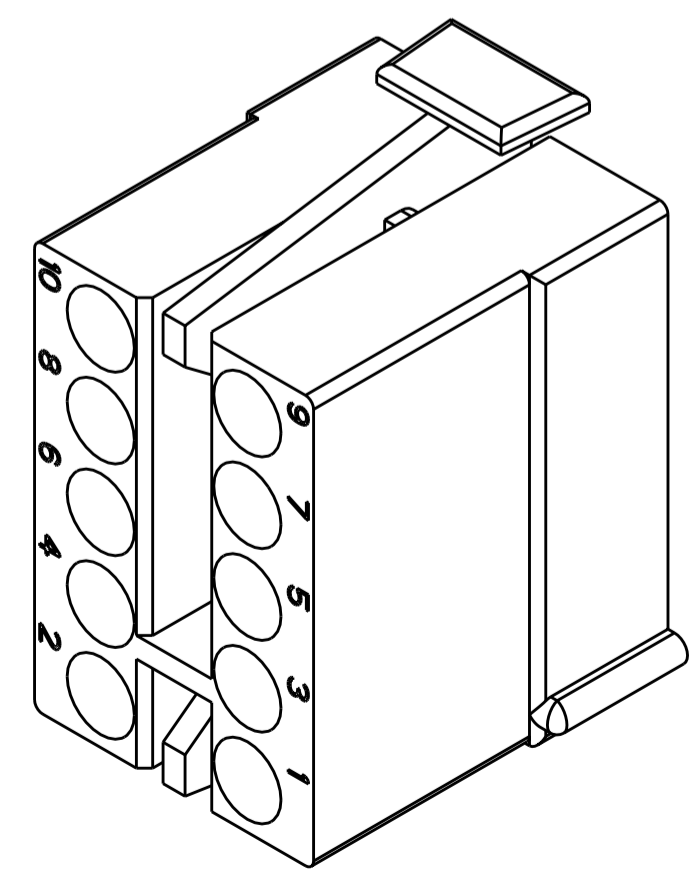
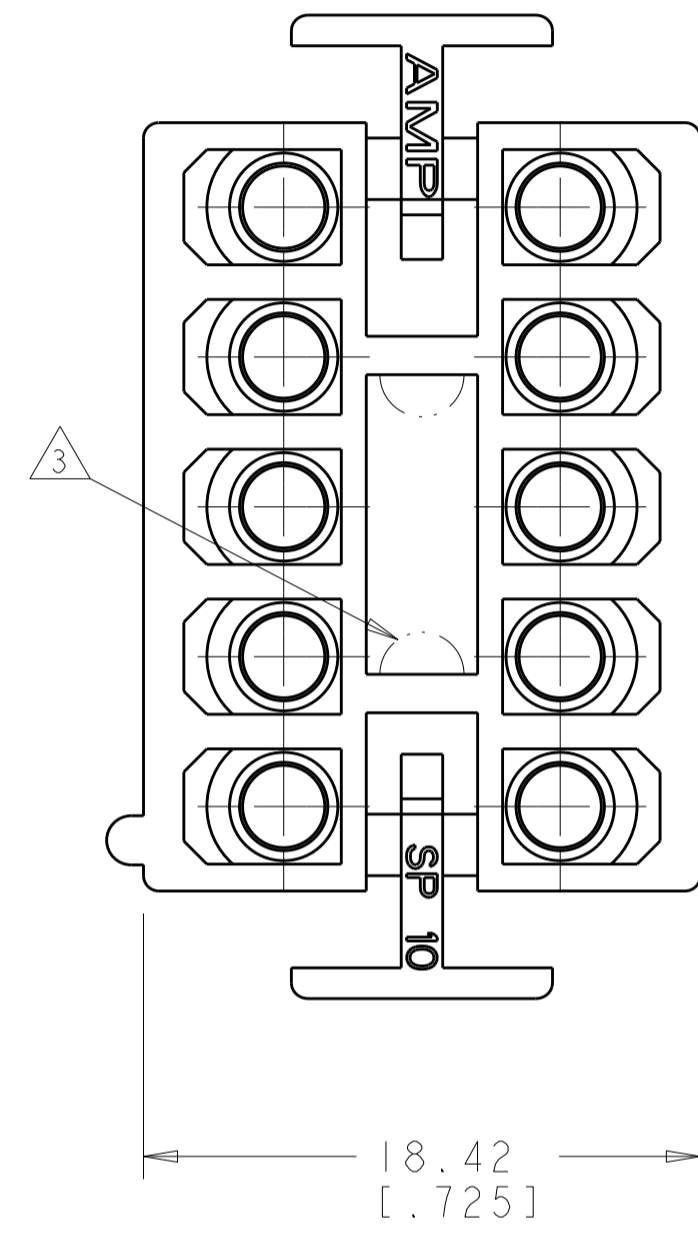
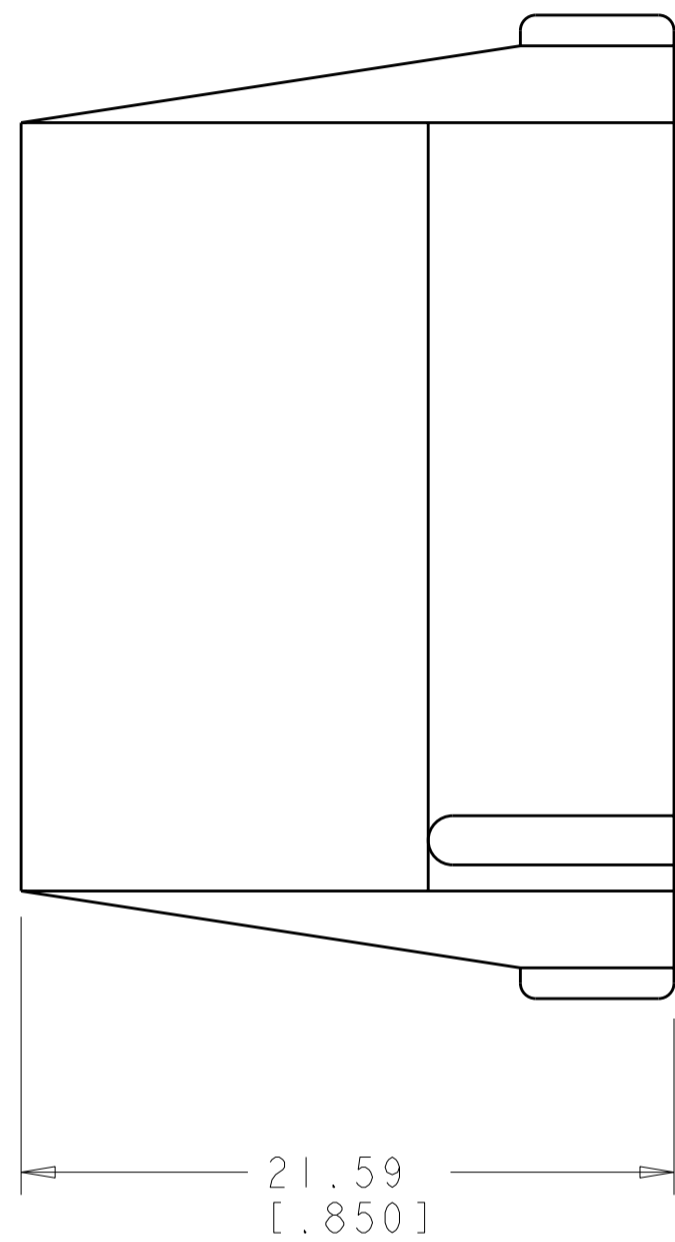
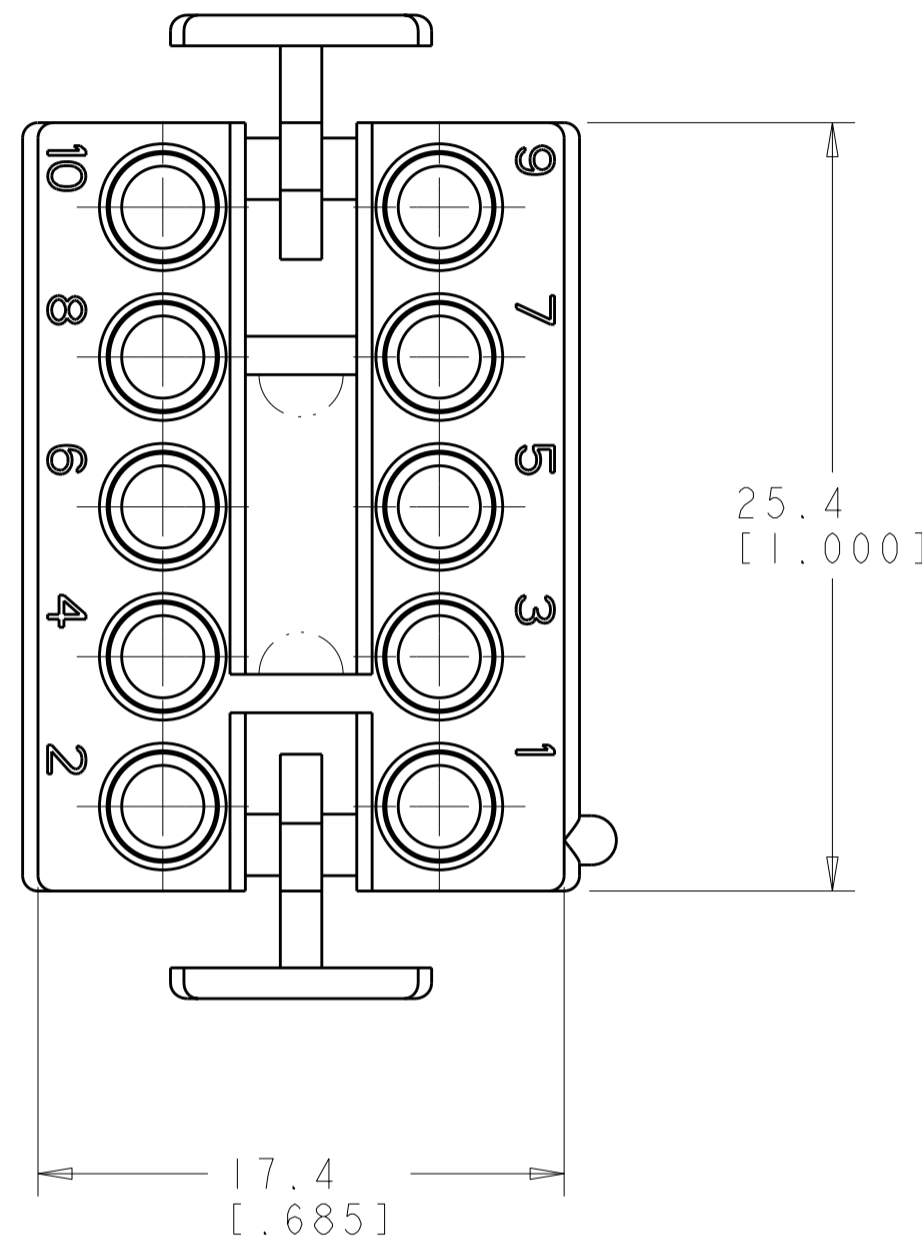
2

1

THIS DRAWING IS UNPUBLISHED. RELEASED FOR PUBLICATION 20
 © COPYRIGHT 20 BY TYCO ELECTRONICS CORPORATION. ALL RIGHTS RESERVED.

LOC	DIST	REVISIONS			
P	LTR	DESCRIPTION	DATE	DWN	APVD
CM	00	AB	ECO-08-007175	20MAR2008	KW CC

1. TO BE USED WITH COMMERCIAL MATE-N-LOK™ SOCKETS.
2. TO BE USED WITH CAP HOUSING 480286.
- △ 3. OPTIONAL CONSTRUCTION FOR MOLD DESIGN.



SCALE 3:1

METRIC

0.315 IN ³	1-480285-0
VOLUME	PART NUMBER

THIS DRAWING IS A CONTROLLED DOCUMENT FOR TYCO ELECTRONICS CORPORATION. IT IS SUBJECT TO CHANGE AND THE CONTROLLING ENGINEERING ORGANIZATION SHOULD BE CONTACTED FOR THE LATEST REVISION.		DWN K. WHITAKER 05MAR2008	Tyco Electronics Harrisburg, PA 17105-3608	
DIMENSIONS: mm [INCHES]		CHK C. CASH 05MAR2008	NAME PLUG, 10 CIRCUIT, COMMERCIAL MATE-N-LOK(TM)	
TOLERANCES UNLESS OTHERWISE SPECIFIED: 0 PLC ±- 1 PLC ±- 2 PLC ±0.13 [0.005] 3 PLC ±- 4 PLC ±- ANGLES ±0°30'		APVD C. CASH 05MAR2008	SIZE A200779	
MATERIAL NYLON, NATURAL		PRODUCT SPEC -	DRAWING NO 480285	
		APPLICATION SPEC -	RESTRICTED TO -	
		WEIGHT -	SCALE 4:1	
		CUSTOMER DRAWING	SHEET 1 OF 1 REV AB	