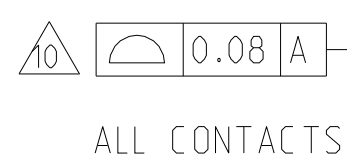
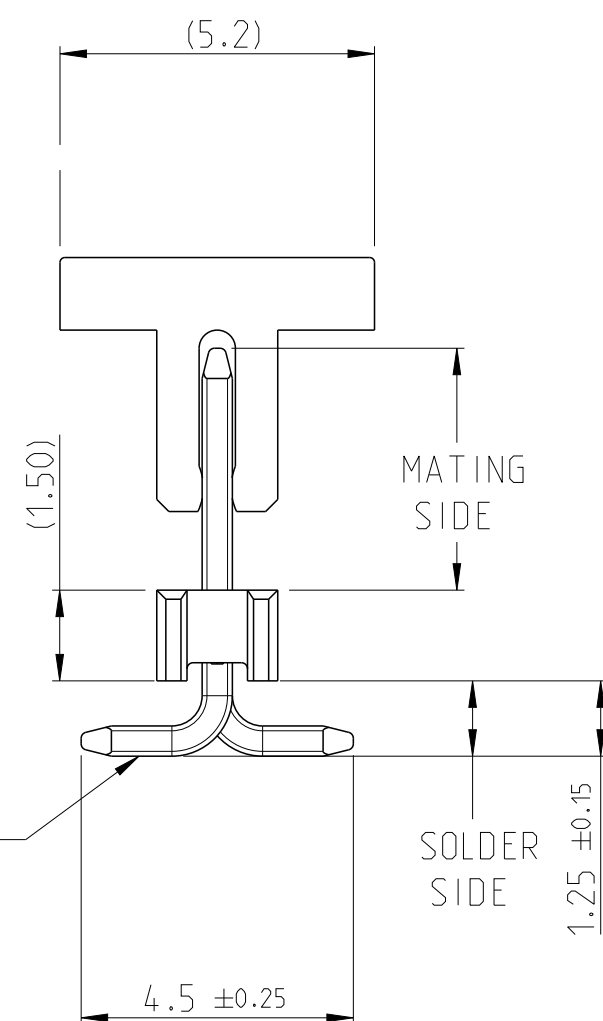
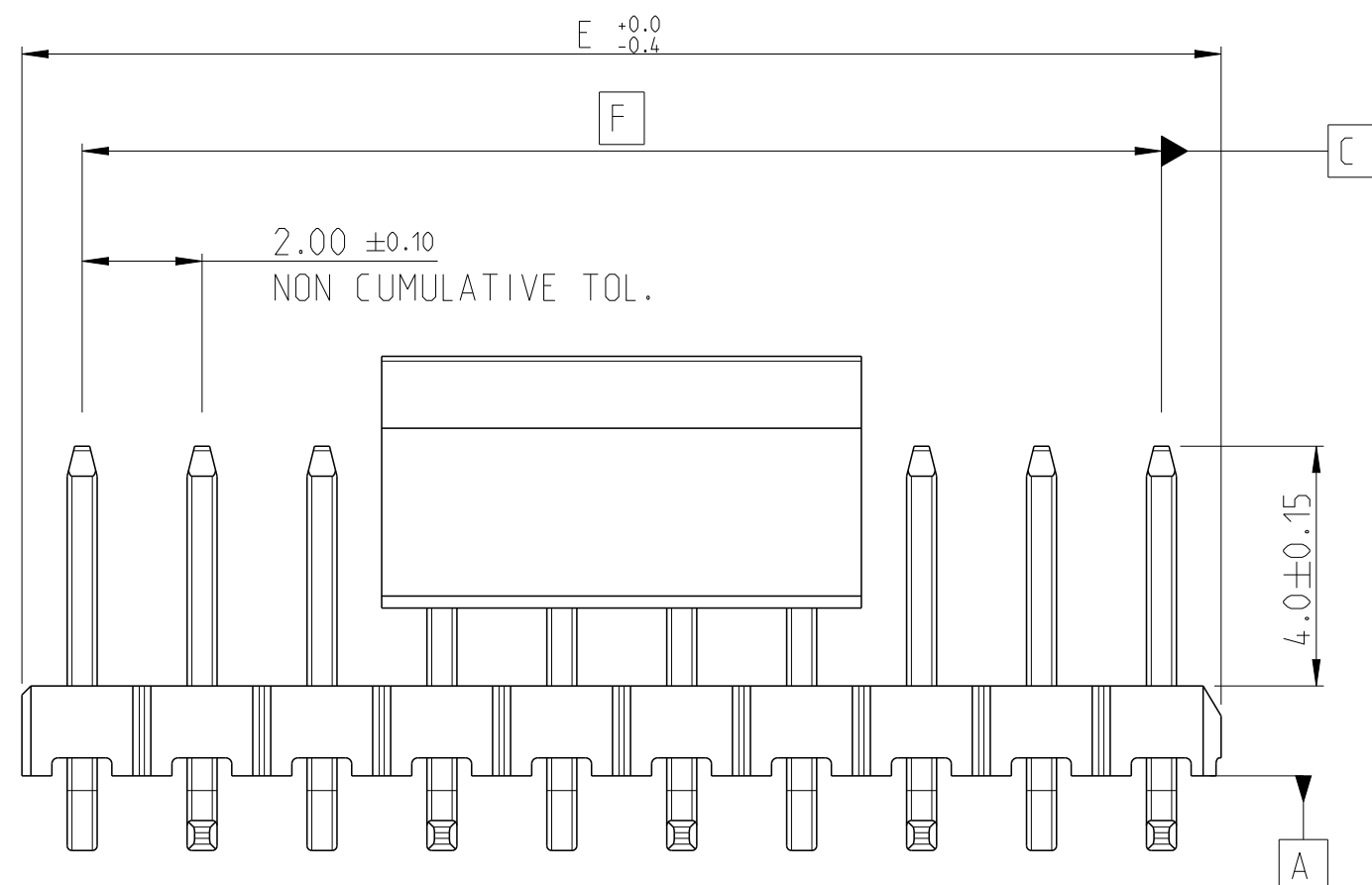
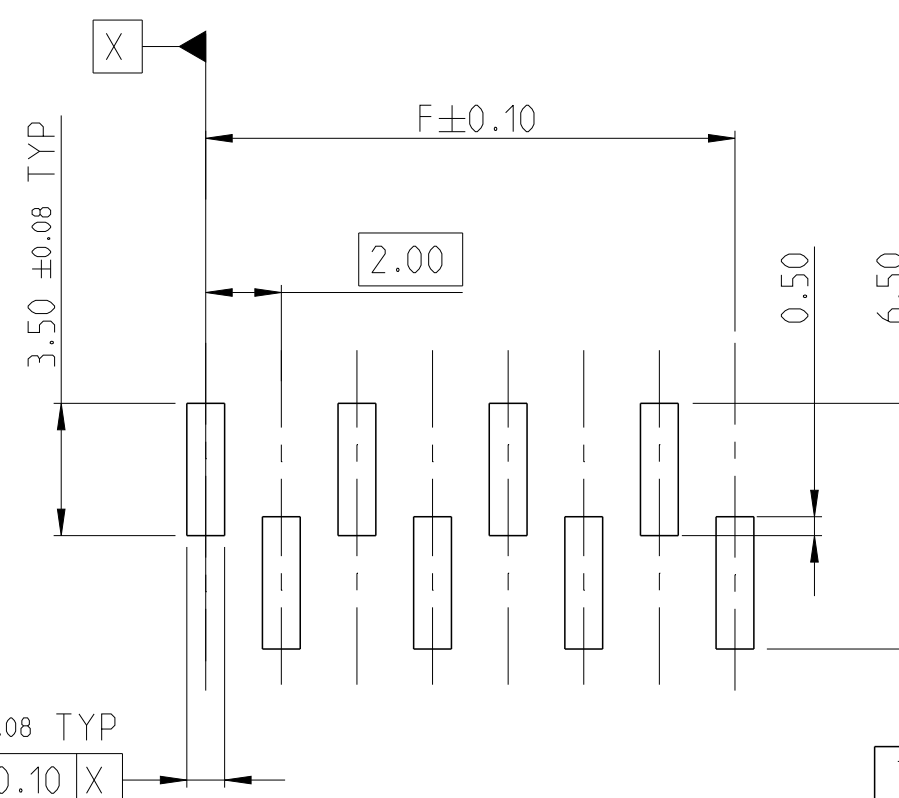
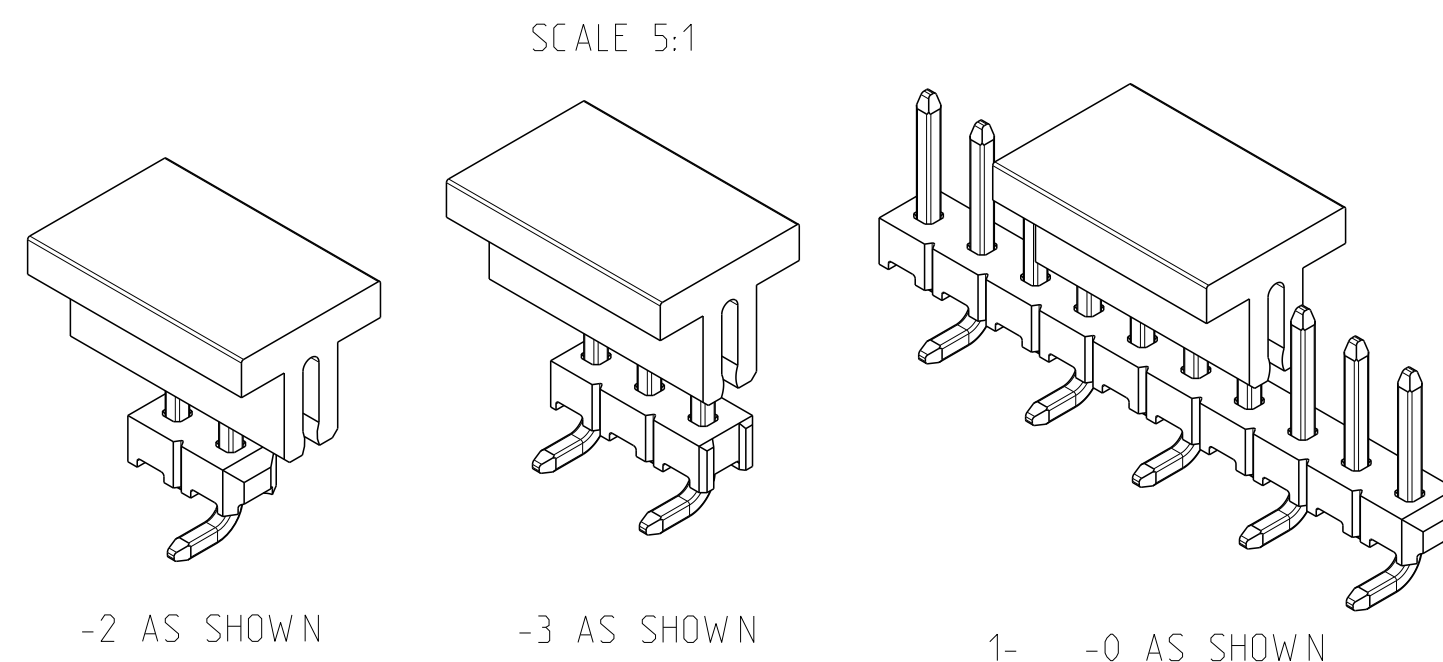
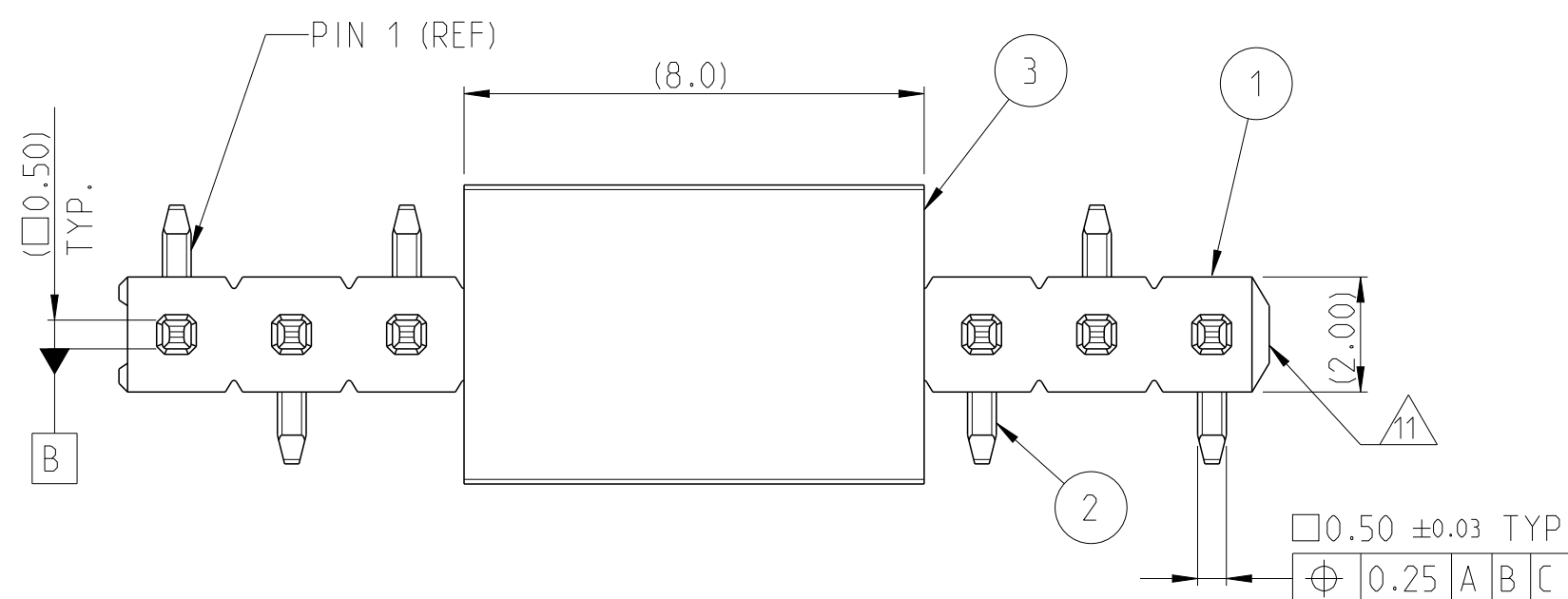


REVISIONS				
P	LTR	DESCRIPTION	DATE	APVD
4		NOTE 8, 9 AND 10 ADDED	08JUN2021	DK PS
5		HOUSING CAVITY CORNER CHAMFER ADDED SMART PN NOMENCLATURE ADDED NOTE 9 DELETED	07OCT2021	DK PS
6		MATING LENGTH TOLERANCE UPDATE	10MAY2022	DK PS
7		PART NUMBER DETAILS ADDED IN SHEET 3	05APR2023	SS PS



NOTES:

- MATERIAL
HOUSING & CAP : HIGH TEMPERATURE THERMOPLASTIC, UL94-V0;COLOR- BLACK
POST : PHOSPHOR BRONZE
- FINISH :
 - 3 - 5 μm TIN OVER MIN 1.27 μm NICKEL UNDER PLATING
 - MATING SIDE: MIN. 0.1 μm GOLD OVER MIN 1.27 μm NICKEL UNDER PLATING
SOLDER SIDE: 4 - 6 μm TIN OVER MIN 1.27 μm NICKEL UNDER PLATING
 - MATING SIDE: MIN 0.38 μm GOLD OVER MIN 1.27 μm NICKEL UNDER PLATING
SOLDER SIDE: 4 - 6 μm TIN OVER MIN 1.27 μm NICKEL UNDER PLATING
 - MATING SIDE: MIN 0.76 μm GOLD OVER MIN 1.27 μm NICKEL UNDER PLATING
SOLDER SIDE: 4 - 6 μm TIN OVER MIN 1.27 μm NICKEL UNDER PLATING
- FOR SMART PART NUMBER, NO. OF POSITIONS PER CONNECTOR HAS TO BE ADDED NEXT TO NO. OF ROWS (2MM-HB-S__-VS-00-__-__). REFER SHEET 2 NOMENCLATURE
FOR EXAMPLE: 2MM-HB-S04-VS-00-T-TBP = 4 POSITION.
2MM-HB-S25-VS-00-T-TBP = 25 POSITION.
- NOTE DELETED.
- FOR TUBE PACKAGING W/CAP:
NO PICK AND PLACE CAP FOR -2 AND -3 POS. HEADER POSITION STARTS FROM -4 POS.
- NOTE DELETED.
- COPLANARITY VARIES WITH CONNECTOR POSITION
2-10 POS: 0.08mm
11-20 POS: 0.10mm
21-25 POS: 0.15mm
- EDGE SHOWN AS MOULDED FOR REFERENCE.



CAP	3
POST	2
HOUSING	1
DESCRIPTION	ITEM NO.

DESIGN APPROVED THIS PRINT IS
PRELIMINARY
TO FIRST PIECE APPROVAL
CONTACT PRODUCT ENGINEERING
BEFORE USING THIS PRINT

THIS DRAWING IS A CONTROLLED DOCUMENT.		DWN RAKESH 20JUN2016	TE Connectivity	
DIMENSIONS: mm		CHK KARTHIK 20JUN2016		
TOLERANCES UNLESS OTHERWISE SPECIFIED:		APVD PRASHANTH S 20JUN2016	NAME AMPMODU 2mm BREAKAWAY HEADER SINGLE ROW, VERTICAL, SMD	
0 PLC ±	1 PLC ±0.1	PRODUCT SPEC 108-64040	SIZE A2	CAGE CODE 00779
2 PLC ±0.05	3 PLC ±	APPLICATION SPEC 114-64040	DRAWING NO C-2823106	RESTRICTED TO -
4 PLC ±	ANGLES ±2°	WEIGHT -	SCALE 8:1	SHEET 1 OF 3
MATERIAL SEE NOTES	FINISH SEE NOTES	CUSTOMER DRAWING	REV 7	

P	LTR	DESCRIPTION	DATE	DWN	APVD
-		SEE SHEET 1	-	-	-

SMART PART NUMBER
 2MM - HB - S ___ - VS - 00 - ___ - ___

PRODUCT SERIES

2MM | AMPMODU 2mm series

GENDER / TYPE

HB | Breakaway headers

NUMBER OF ROWS

S | Single row

NUMBER OF PINS PER ROW

XX | 02 through 25
(enter two digits)

ORIENTATION & TERMINATION

VS | Vertical surface mount

PACKAGING

TBP	Tube with cap	⚠
TRP	Tape and reel with cap	

PLATING

T	Tin
F	0.1µm Gold (Gold flash)
M	0.38µm Gold
H	0.76µm Gold

TAIL LENGTH

00 | N/A for surface mount

SMART PN EXAMPLES :

1. AMPMODU 2MM, BREAKAWAY HEADER, SINGLE ROW, 04 POSITION PER ROW, SURFACE MOUNT, TAIL LENGTH NOT APPLICABLE, TIN PLATING, TUBE WITH CAP
2MM-HB-S04-VS-00-T-TBP
2. AMPMODU 2MM, BREAKAWAY HEADER, SINGLE ROW, 25 POSITION PER ROW, SURFACE MOUNT, TAIL LENGTH NOT APPLICABLE, 0.76µm GOLD PLATING, TAPE AND REEL WITH CAP
2MM-HB-S25-VS-00-H-TRP

DESIGN APPROVED THIS PRINT IS
PRELIMINARY
 TO FIRST PIECE APPROVAL
 CONTACT PRODUCT ENGINEERING
 BEFORE USING THIS PRINT

THIS DRAWING IS A CONTROLLED DOCUMENT.		DWN RAKESH 20JUN2016	STE TE Connectivity	
DIMENSIONS: mm		CHK KARTHIK 20JUN2016		
TOLERANCES UNLESS OTHERWISE SPECIFIED:		APVD PRASHANTH S 20JUN2016	NAME AMPMODU 2mm BREAKAWAY HEADER SINGLE ROW, VERTICAL, SMD	
0 PLC ±		PRODUCT SPEC	108-64040	
1 PLC ±0.1		APPLICATION SPEC	114-64040	
2 PLC ±0.05		WEIGHT	-	
3 PLC ±		CUSTOMER DRAWING	SCALE 1:1 SHEET 2 OF 3 REV 7	
4 PLC ±				
ANGLES ±2°				
FINISH				
MATERIAL SEE NOTES				
SEE NOTES				

REVISIONS

P	LTR	DESCRIPTION	DATE	DWN	APVD
-	-	SEE SHEET 1	-	-	-


HEADER BASE NO.	PACKAGING TYPE	MATING SIDE PLATING (FINISH)	SMART PN
2823106	TAPE AND REEL W / CAP	TIN Δ ₂	2MM-HB-XX-VS-00-T-TRP
2823659	TUBE W / CAP	TIN Δ ₂	2MM-HB-XX-VS-00-T-TBP
2823107	TAPE AND REEL W / CAP	Au FLASH 0.1 μ m Δ ₃	2MM-HB-XX-VS-00-F-TRP
2823660	TUBE W / CAP	Au FLASH 0.1 μ m Δ ₃	2MM-HB-XX-VS-00-F-TBP
2823108	TAPE AND REEL W / CAP	Au 0.38 μ m Δ ₄	2MM-HB-XX-VS-00-M-TRP
2823661	TUBE W / CAP	Au 0.38 μ m Δ ₄	2MM-HB-XX-VS-00-M-TBP
2823109	TAPE AND REEL W / CAP	Au 0.76 μ m Δ ₅	2MM-HB-XX-VS-00-H-TRP
2823662	TUBE W / CAP	Au 0.76 μ m Δ ₅	2MM-HB-XX-VS-00-H-TBP

48.0	50.0	25	2-	-5
46.0	48.0	24	2-	-4
44.0	46.0	23	2-	-3
42.0	44.0	22	2-	-2
40.0	42.0	21	2-	-1
38.0	40.0	20	2-	-0
36.0	38.0	19	1-	-9
34.0	36.0	18	1-	-8
32.0	34.0	17	1-	-7
30.0	32.0	16	1-	-6
28.0	30.0	15	1-	-5
26.0	28.0	14	1-	-4
24.0	26.0	13	1-	-3
22.0	24.0	12	1-	-2
20.0	22.0	11	1-	-1
18.0	20.0	10	1-	-0
16.0	18.0	9		-9
14.0	16.0	8		-8
12.0	14.0	7		-7
10.0	12.0	6		-6
8.0	10.0	5		-5
6.0	8.0	4		-4
4.0	6.0	3		-3
2.0	4.0	2		-2
DIM "F"	DIM "E"	NUMBER OF PINS PER ROW "XX"	HEADER PART NO.	

DESIGN APPROVED THIS PRINT IS

PRELIMINARY

TO FIRST PIECE APPROVAL CONTACT PRODUCT ENGINEERING BEFORE USING THIS PRINT

THIS DRAWING IS A CONTROLLED DOCUMENT.		DWN RAKESH 20 JUN 2016	 TE Connectivity	
DIMENSIONS: mm		CHK KARTHIK 20 JUN 2016		
TOLERANCES UNLESS OTHERWISE SPECIFIED:		APVD PRASHANTH S 20 JUN 2016	NAME AMPMODU 2mm BREAKAWAY HEADER SINGLE ROW .VERTICAL.SMD	
0 PLC \pm		PRODUCT SPEC 108-64040	RESTRICTED TO	
1 PLC ± 0.1		APPLICATION SPEC 114-64040	SIZE A2	CAGE CODE 00779
2 PLC ± 0.05		WEIGHT -	DRAWING NO C-2823106	
3 PLC \pm		CUSTOMER DRAWING	SCALE 8:1	SHEET 3 OF 3
4 PLC \pm				REV 7
ANGLES $\pm 2^\circ$				
FINISH				
MATERIAL SEE NOTES				
SEE NOTES				