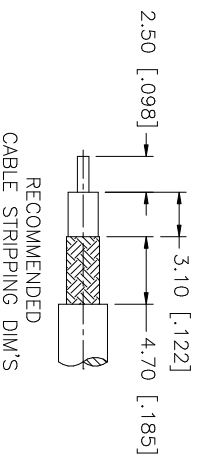
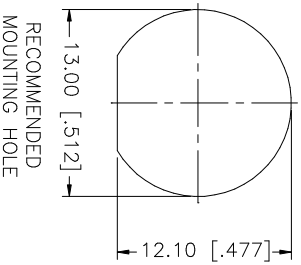
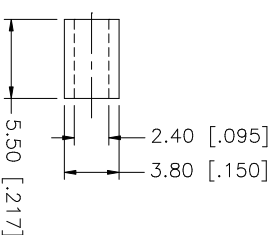
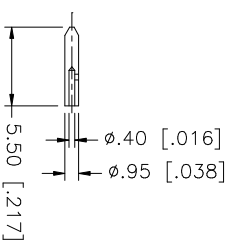
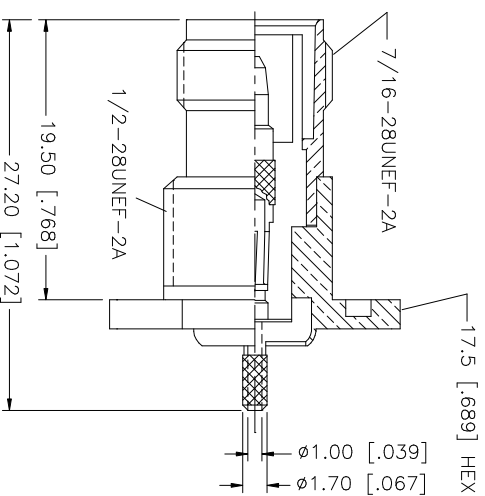
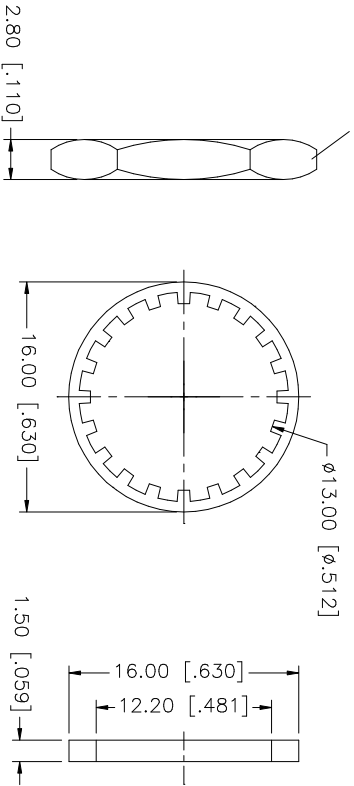


REV.	DATE	DESCRIPTION
A	01/10/04	UPDATE DRAWING FORMAT
B	03/27/05	ADD 17.5 HEX DIMENSION
C	04/12/06	MODIFY INTERNAL X-SECTION

16 [.630] HEX



RECOMMENDED  
CABLE STRIPPING DIM'S

CRIMP NOTES:

1. CRIMPED FERRULE  
HEX CRIMP SIZE .128"
2. CRIMPED CONTACT PIN  
SQ. CRIMP SIZE .7mm
3. MAX. PANEL THICKNESS = 5.0mm

QTY	FINISH	MATERIAL	DESCRIPTION
1	NICKEL	COPPER	FERRULE
1	NICKEL	BRASS	HEX NUT
1	NICKEL	BRASS	LOCK WASHER
1	RED	RUBBER	GASKET
1	GOLD	PHOS. BRONZE	CONTACT PIN
1	NATURAL	TEFLON	INSULATOR
1	NICKEL	BRASS	BODY

APPROVALS	DATE
G.R.S.	04/12/06

UNLESS OTHERWISE SPECIFIED DIMENSIONS ARE IN INCHES AND FOR CUSTOMER REFERENCE ONLY.
UNLESS OTHERWISE SPECIFIED DIMENSIONS ARE IN INCHES AND FOR CUSTOMER REFERENCE ONLY.
TOLERANCES FOR MILLERS ARE:
0.5 - 8mm ± 0.20mm
8 - 30mm ± 0.40mm
30 - 120mm ± 0.50mm
UNLESS OTHERWISE SPECIFIED DIMENSIONS FOR INCHES ARE:
.020 - .315 = ± 0.007"
.315 - 1.180 = ± 0.015"
1.180 - 4.724 = ± 0.020"

DO NOT SCALE DRAWING
DO NOT SCALE DRAWING

CAO FILE	DWG. NO.	REV.	SIZE	SCALE
C:/122/122370RP.DWG	122370RP.DWG	C	A	NA

PART DESCRIPTION	PART NO.
TNC REVERSE BULKHEAD CRIMP JACK (FOR RG-178B/U, 196A/U CABLE)	122370RP