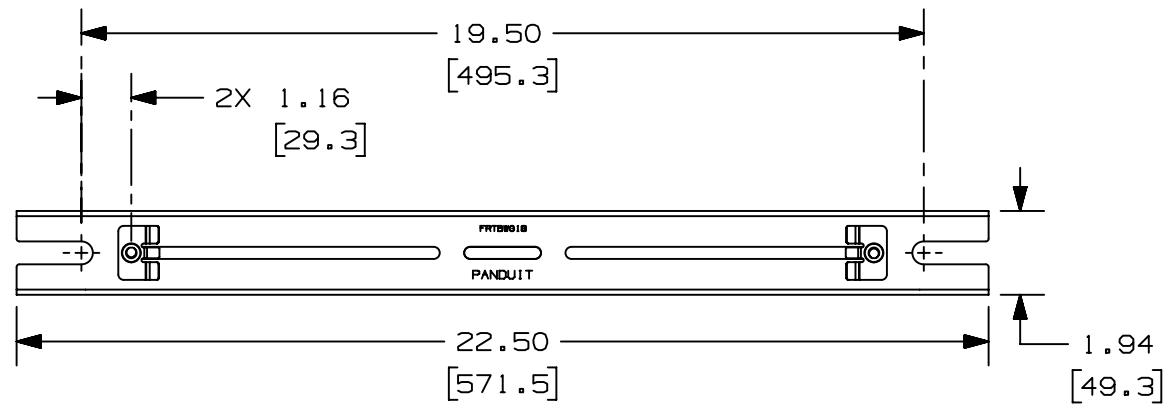


2

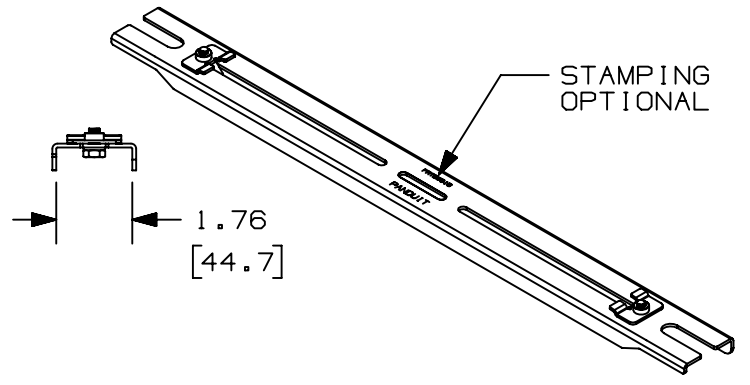
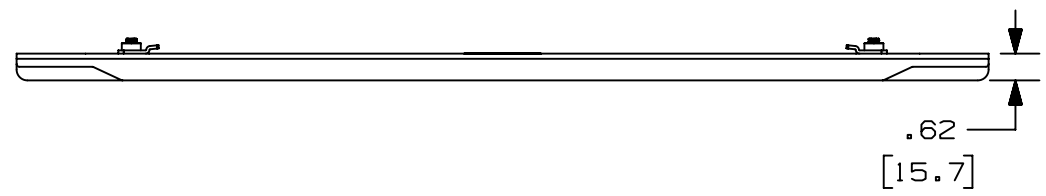
1

THIS COPY IS PROVIDED ON A RESTRICTED BASIS AND IS NOT TO BE USED IN ANY WAY DETRIMENTAL TO THE INTERESTS OF PANDUIT CORP.

PANDUIT PART NUMBER	WEIGHT
FRTBWG18	1.45 LBS/EACH (657.7 g/EACH)



- NOTES:**
- SEE CURRENT CATALOG FOR ADDITIONAL PART SUFFIXES TO INDICATE COLOR AND/OR PACKAGE QUANTITY.
 - THE FIBERRUNNER TRAPEZE BRACKET FOR WYR-GRID 18" PATHWAY INCLUDES:
ONE (1) FIBERRUNNER TRAPEZE BRACKET FOR WYR-GRID 18" PATHWAY
TWO (2) FIBERRUNNER TRAPEZE BRACKET WYR-GRID CLIP ASSEMBLY.
 - DIMENSIONS IN PARENTHESES ARE METRIC.



A

A

D10100DA/16

REV	DATE	BY	CHK	APR	DESCRIPTION	ECN
02A	9-19-19	LEE	FWI		C. "STAMPING OPTIONAL" LABEL ADDED SEE PREVIOUS REVISION FOR HISTORY	V09002CN/06

TITLE FIBERRUNNER TRAPEZE BRACKET FOR WYR-GRID 18" PATHWAY (FRTBWG18) CUSTOMER DRAWING					
ITEM REVISION NAME 10D165AB/02					
DATASET FILE NAME 10D165AB_DC/02A					
UNLESS OTHERWISE SPECIFIED, DIMENSIONAL TOLERANCES ARE: IN [mm] .X ± .01 [.25] .XXX ± ANGLS ±					MATERIAL: STEEL
THIRD ANGLE PROJECTION					DRAWING NUMBER: 10D165AB-DC
DRAWN BY JAHA	DATE 05-05-11	CHK EB	SCALE NONE	SHT 1 OF 1	SIZE A

2

1