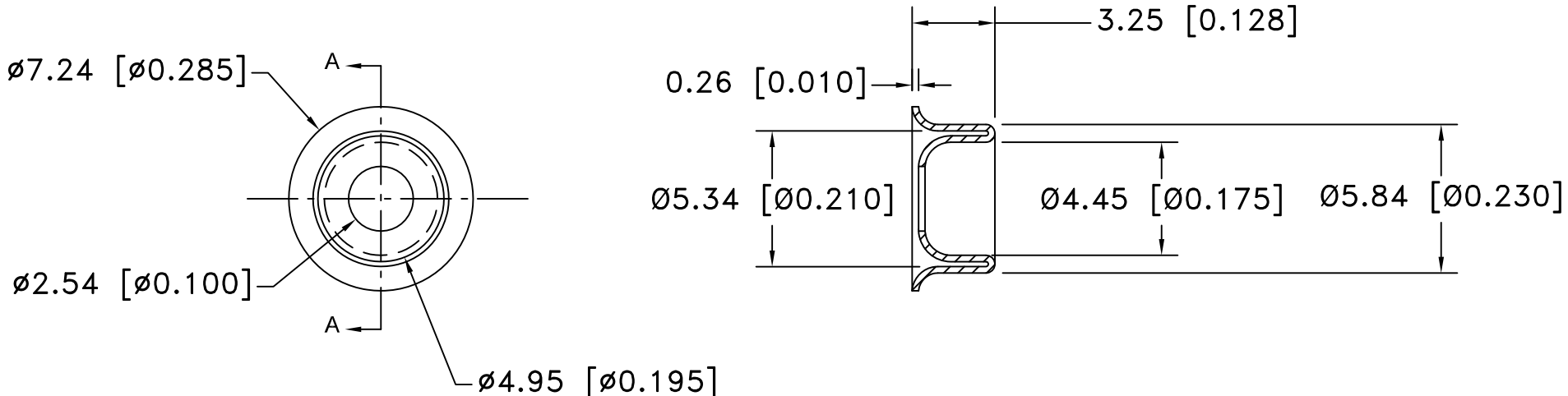



Date	SYM	REVISION RECORD	AUTH	DR.	CK.
4/15/06	A	ADDED "ROHS COMPLIANT"	T.B.	B.S.	
7/11/14	B	UPDATED TO ROHS 2 COMPLIANT	T.B.	B.S.	



NOTES:  
MATERIAL: BRASS, NICKEL PLTD.  
ROHS 2 COMPLIANT

Tolerance (Except as noted)	 <b>Memory Protection Devices, Inc</b> 200 Broad Hollow Road, Farmingdale, New York 11735		
		decimal $\pm .5$ (.020)	Scale
Fractional $\pm .8$ (.030)	Title BATTERY SNAP MALE		
Angular $\pm 3^\circ$	Date 7/11/14	Drawing Number BSM	