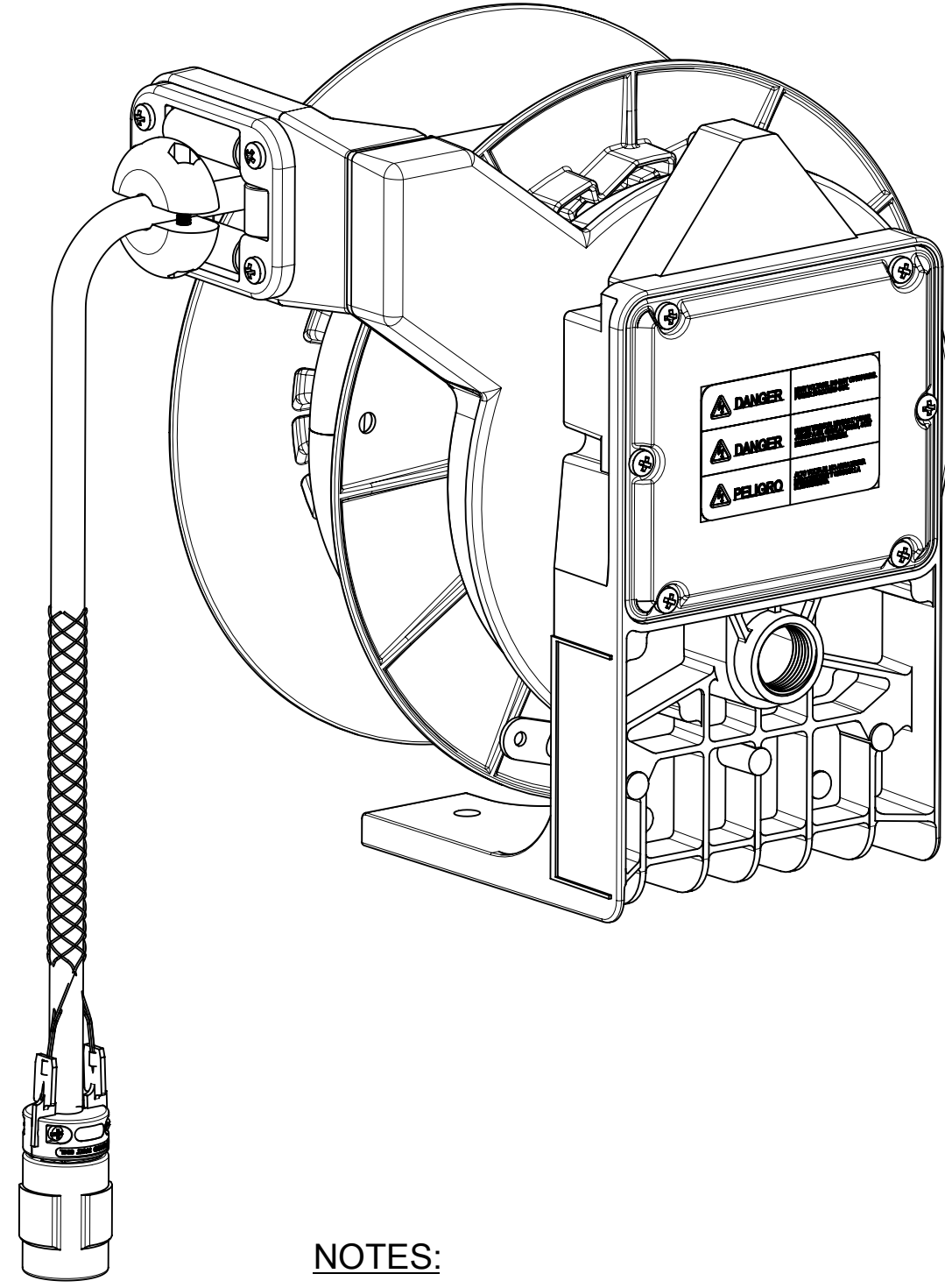
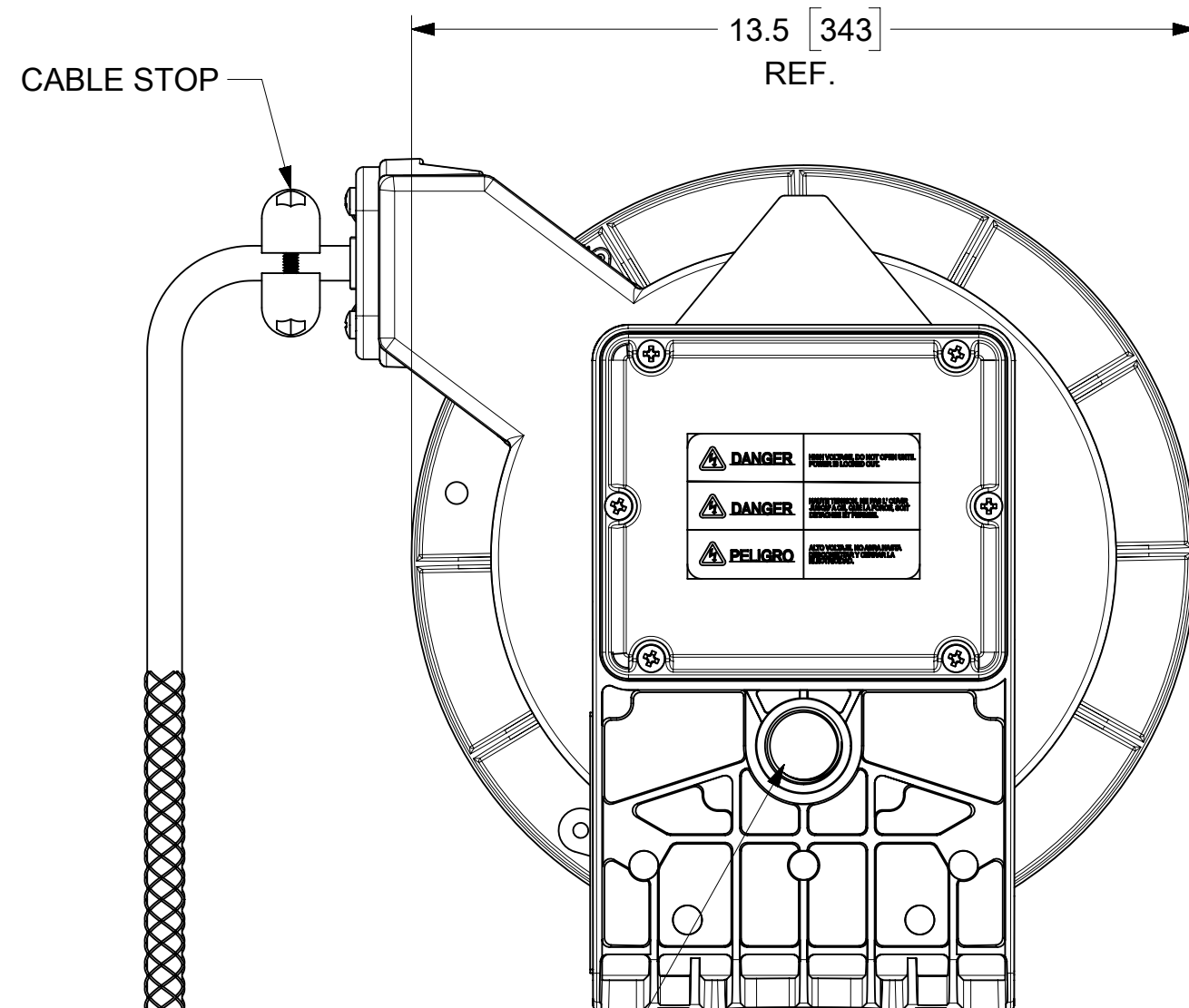
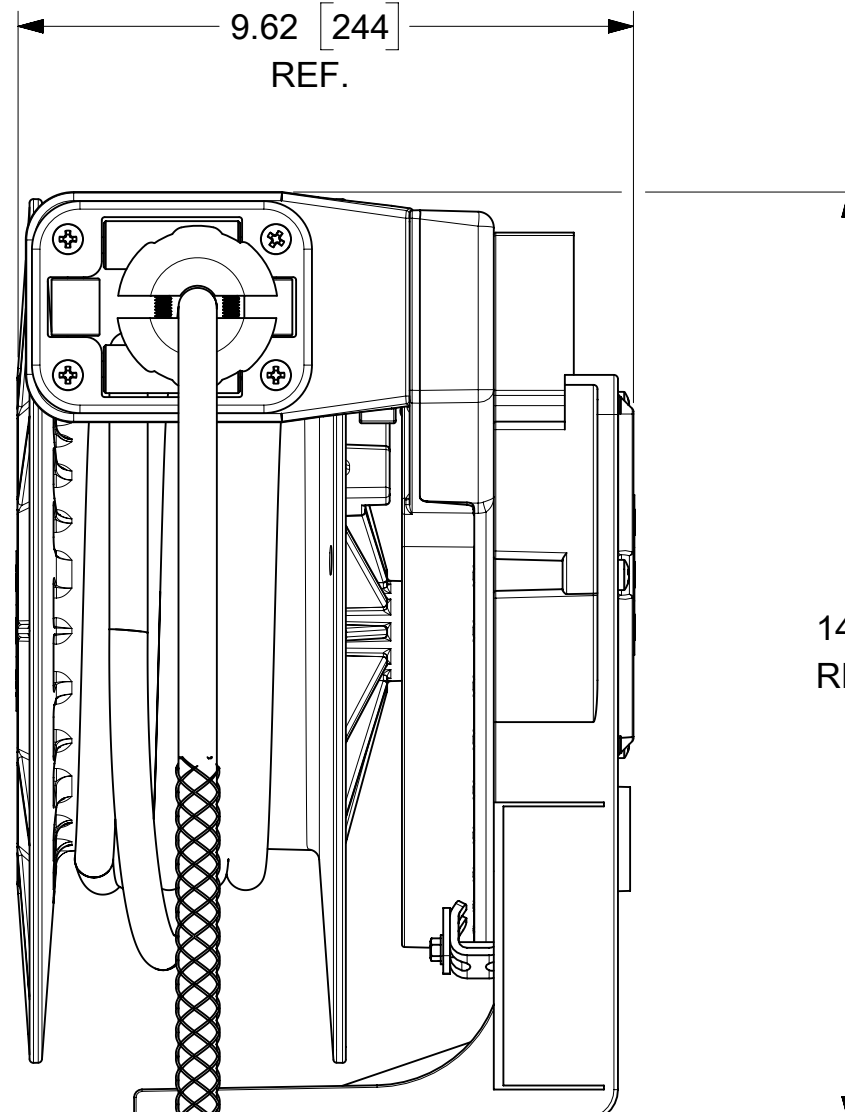
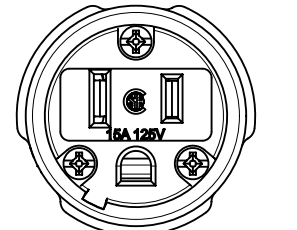


ORDER NO	130083-0266
WOODHEAD ENG. NO	9383-1547
WIRE GAUGE	12
CONDUCTORS	3
AMPERAGE	18A
WORKING CORD	25 FT, YELLOW
CORD TYPE	SOOW
CONSTRUCTION	HEAVY WALL CAST ALUMINUM
PAINT	YELLOW POWDER COAT
REEL ENCLOSURE RATING	NEMA 4 INDOOR / OUTDOOR
RETRACTION WEIGHT	4.0 LB [1.8 KG]

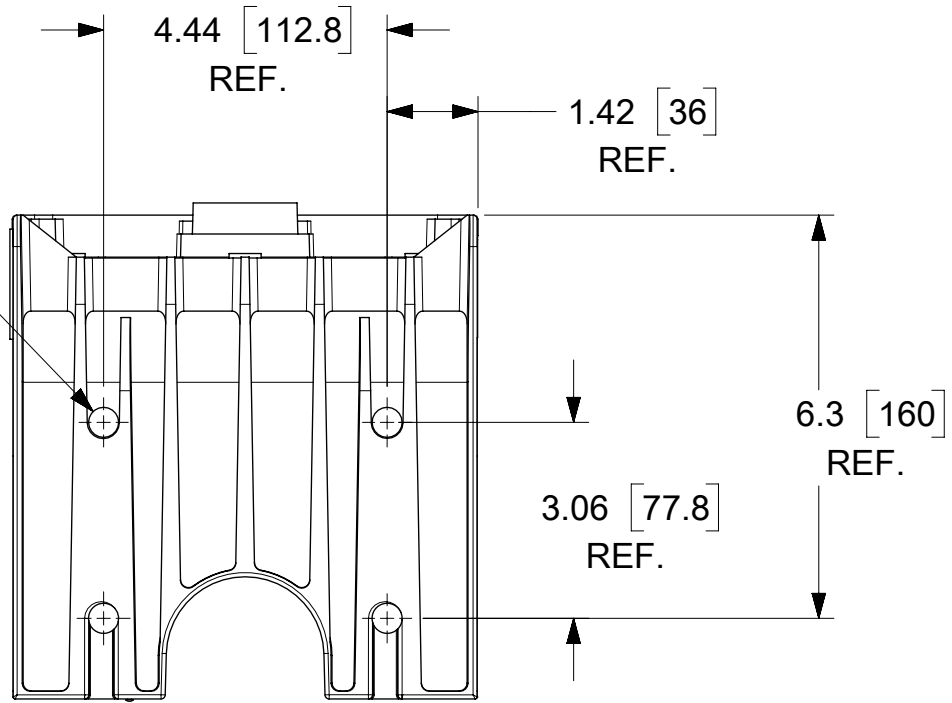


NEMA 5-15  
ASSEMBLED CONNECTION  
COLOR YELLOW



FACE VIEW OF  
CONNECTOR

Ø0.47 THRU  
4-PLACES



BOTTOM VIEW

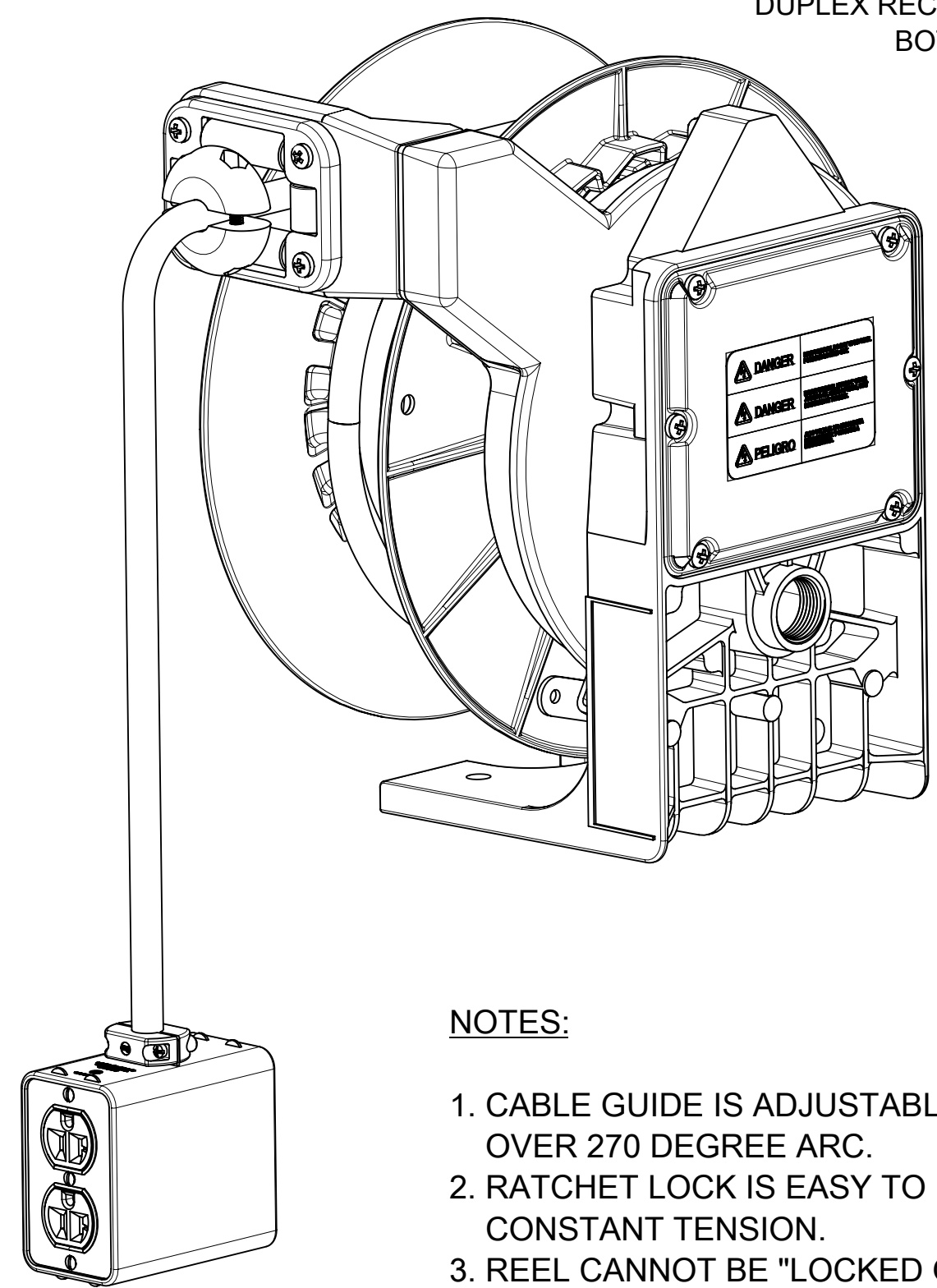
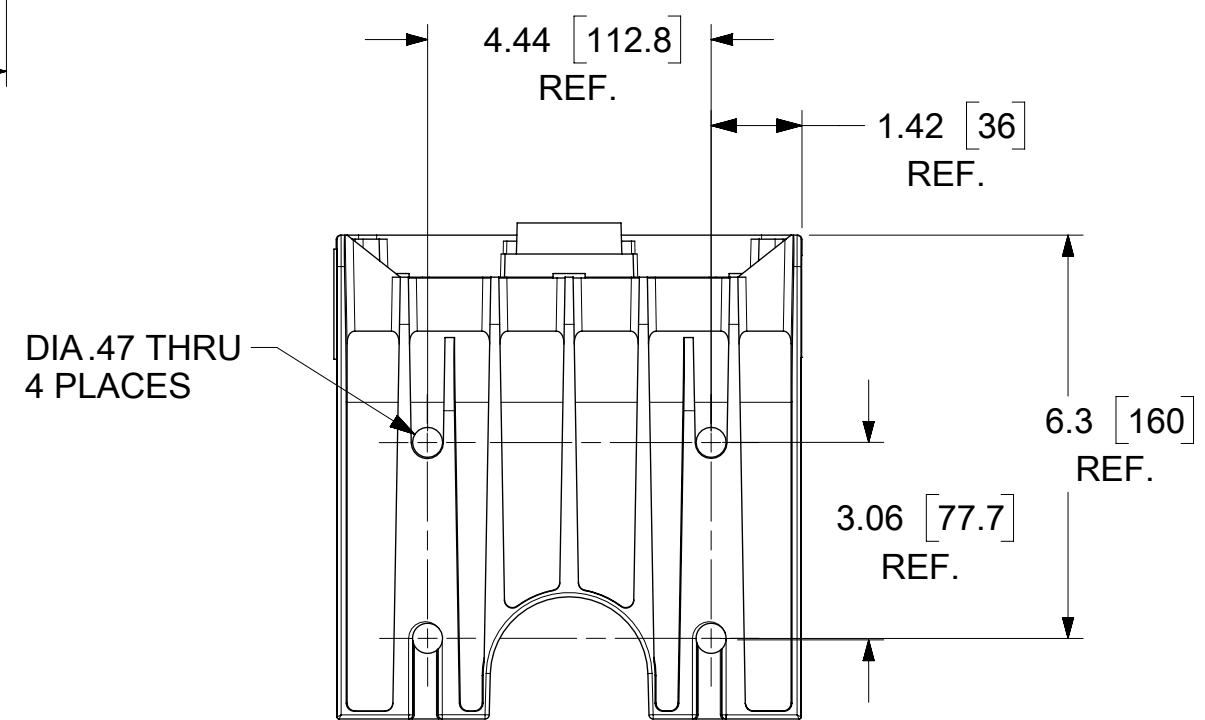
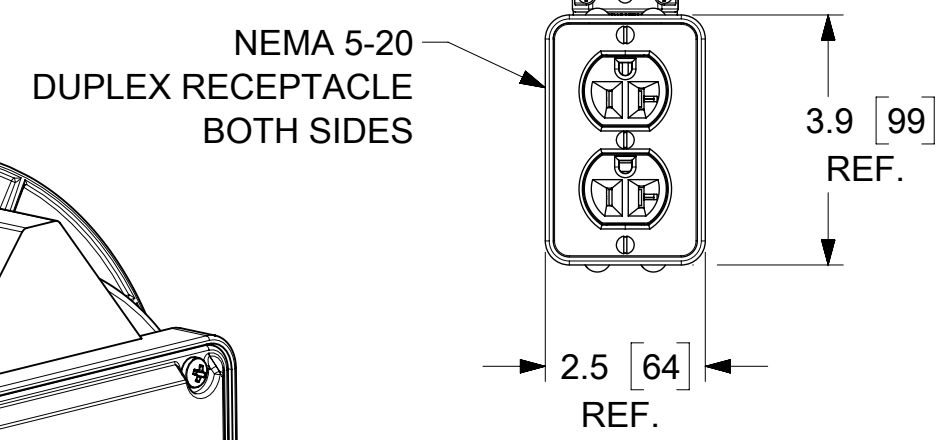
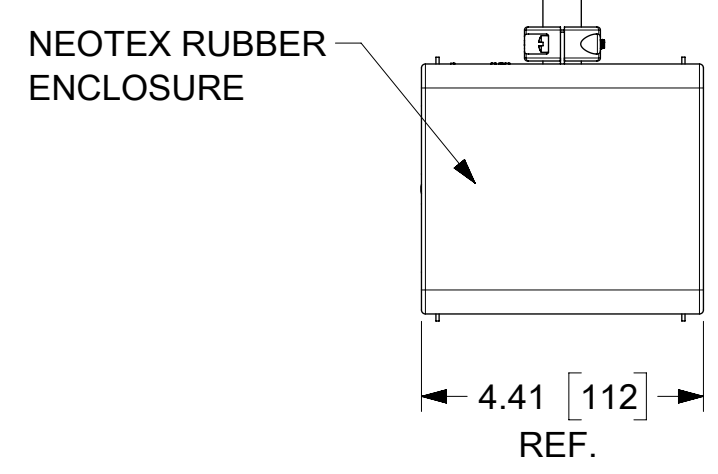
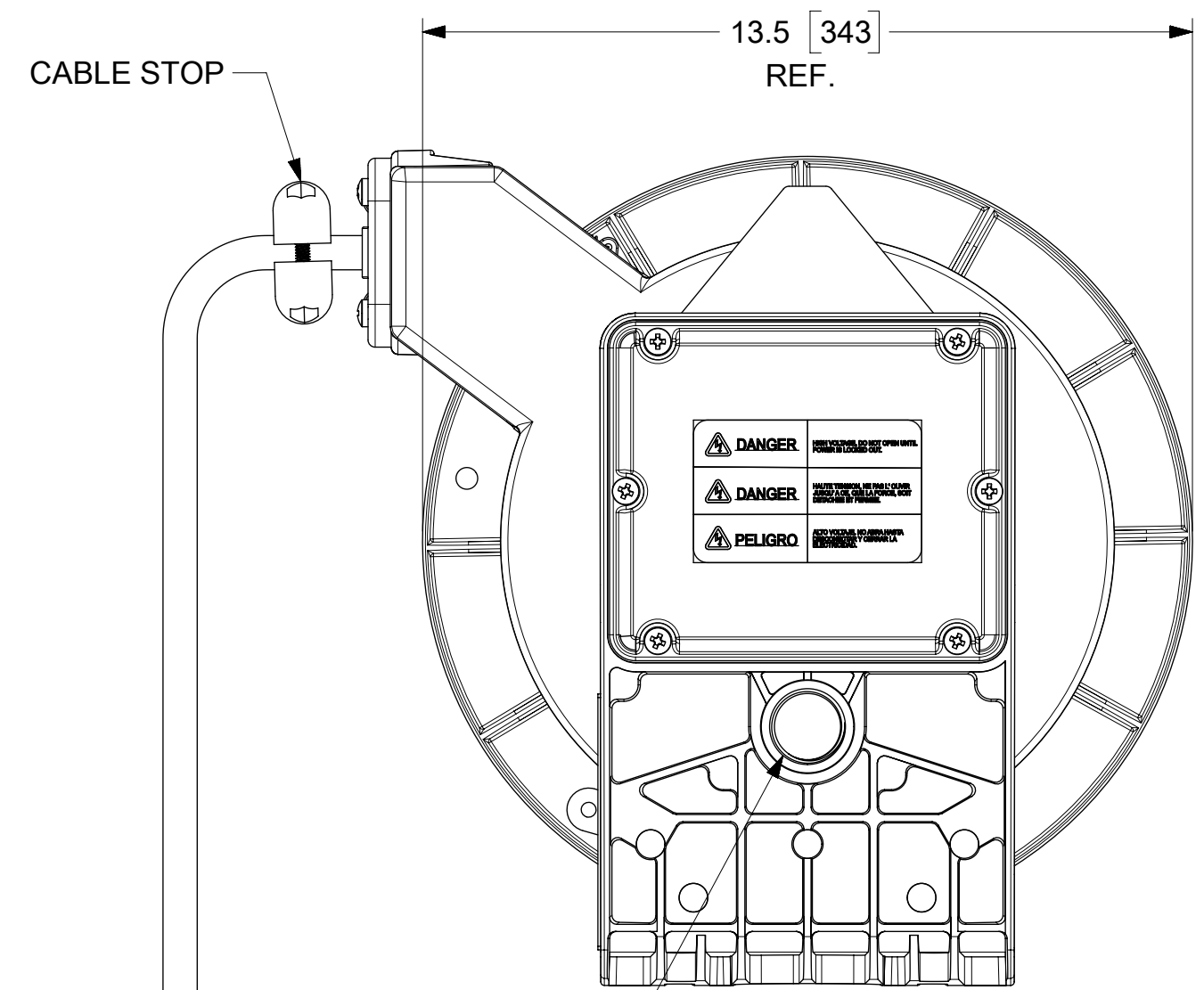
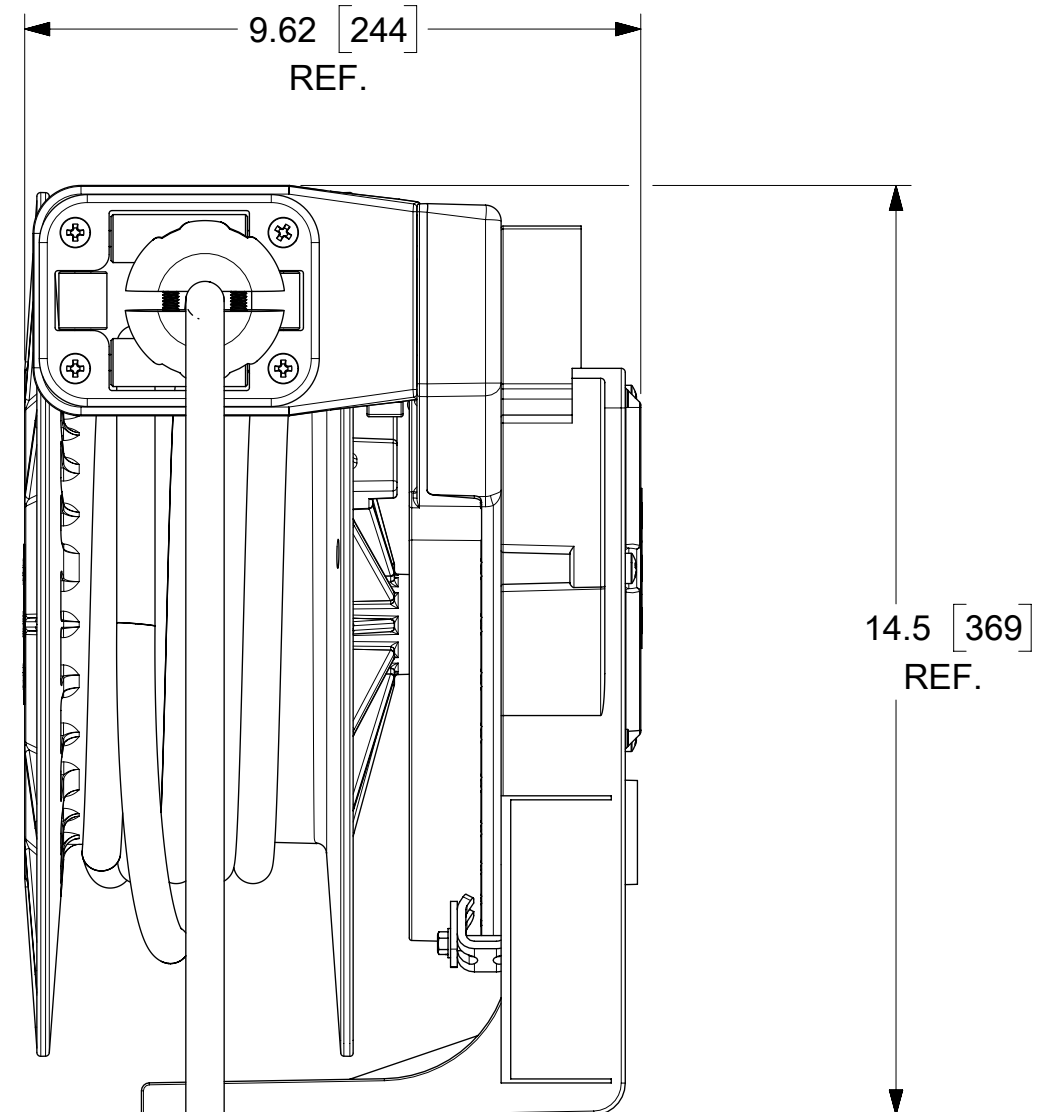
PRE-RELEASE  
REFERENCE  
USE ONLY

NOTES:

1. CABLE GUIDE IS ADJUSTABLE EVERY 5 DEGREES OVER 270 DEGREE ARC.
2. RATCHET LOCK IS EASY TO DISENGAGE FOR CONSTANT TENSION.
3. REEL CANNOT BE "LOCKED OUT" AT FULL EXTENSION.
4. CABLE STOP ADDED

FUNCTIONAL SYMBOLS	THIS DRAWING CONTAINS INFORMATION THAT IS PROPRIETARY TO MOLEX ELECTRONIC TECHNOLOGIES, LLC AND SHOULD NOT BE USED WITHOUT WRITTEN PERMISSION			CURRENT REV DESC: RELEASE CUSTOMER DRAWING			
	FA = 0	INCH/MM	SCALE	NTS			
DIVISIONAL SYMBOLS	GENERAL TOLERANCES (UNLESS SPECIFIED)			EC NO: 674791			
	FB = 0	MM	INCH	DRWN: VHANDI	2020/07/24	2022/06/01	
FC = 0	4 PLACES ±	±	CHK'D: DSOPPIN	APPR:			
		3 PLACES ±	± 0.005	INITIAL REVISION:			
		2 PLACES ±	± 0.13 ± 0.01	DRWN: VHANDI	2020/07/24		
		1 PLACE ±	± 0.25 ± 0.02	APPR:			
		0 PLACES ±	±	THIRD ANGLE PROJECTION			
		ANGULAR TOL	± 0.5°	DRAWING	SERIES	MATERIAL NUMBER	
		DRAFT WHERE APPLICABLE MUST REMAIN WITHIN DIMENSIONS		C-SIZE	130083	SEE TABLE	
DOCUMENT STATUS				RV	RELEASE DATE	CUSTOMER	
DOCUMENT NUMBER				DOC TYPE		DOC PART	REVISION
1300830266				PSD		000	A
CORD REEL - INDUSTRIAL DUTY 25' #12-3 SOOW W/ NEMA 5-15 CONNECTOR				GENERAL MARKET		SHEET NUMBER	
						1 OF 1	

ORDER NO	130083-0271
WOODHEAD ENG. NO	9383-3080
WIRE GAUGE	12
CONDUCTORS	3
AMPERAGE	18A
WORKING CORD	25 FT, YELLOW
CORD TYPE	SOOW
CONSTRUCTION	HEAVY WALL CAST ALUMINUM
PAINT	YELLOW POWDER COAT
REEL ENCLOSURE RATING	NEMA 4 INDOOR / OUTDOOR
RETRACTION WEIGHT	4.0 LB [1.8 KG]



- NOTES:**
1. CABLE GUIDE IS ADJUSTABLE EVERY 5 DEGREES OVER 270 DEGREE ARC.
  2. RATCHET LOCK IS EASY TO DISENGAGE FOR CONSTANT TENSION.
  3. REEL CANNOT BE "LOCKED OUT" AT FULL EXTENSION.
  4. CABLE STOP IS INCLUDED.

FUNCTIONAL SYMBOLS	THIS DRAWING CONTAINS INFORMATION THAT IS PROPRIETARY TO MOLEX ELECTRONIC TECHNOLOGIES, LLC AND SHOULD NOT BE USED WITHOUT WRITTEN PERMISSION		CURRENT REV DESC: RELEASE CUSTOMER DRAWING	
	DIMENSION UNITS	SCALE		
$F_A = 0$	INCH/MM	NTS		
$F_C = 0$	GENERAL TOLERANCES (UNLESS SPECIFIED)			
$F_D = 0$		MM	INCH	
DIVISIONAL SYMBOLS	4 PLACES	±	±	
	3 PLACES	±	± 0.005	
	2 PLACES	± 0.13	± 0.01	
	1 PLACE	± 0.25	± 0.02	
	0 PLACES	±	±	
	ANGULAR TOL	± 0.5°		
DRAFT WHERE APPLICABLE MUST REMAIN WITHIN DIMENSIONS		THIRD ANGLE PROJECTION	DRAWING	SERIES
			C-SIZE	130083
		EC NO: 674791	DRWN: VHANDI	2020/07/24
		CHK'D: DSOPPIN	APPR: HKNEELAND	2022/06/01
		INITIAL REVISION:	DRWN: MCHOJECK	2011/07/18
			APPR: DTITUS	2011/09/02
DOCUMENT NUMBER		DOC TYPE	DOC PART	REVISION
SD-130083-037		PSD	001	A1
MATERIAL NUMBER		CUSTOMER	SHEET NUMBER	
SEE TABLE		GENERAL MARKET	1 OF 1	