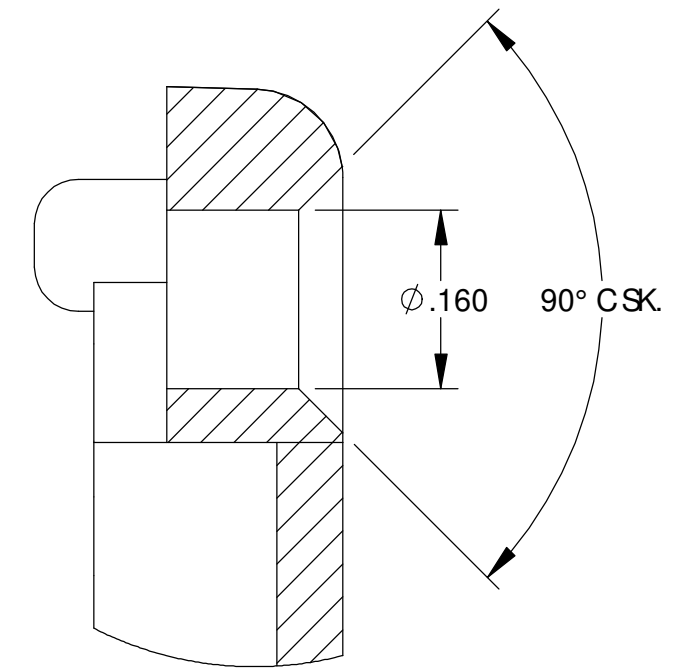
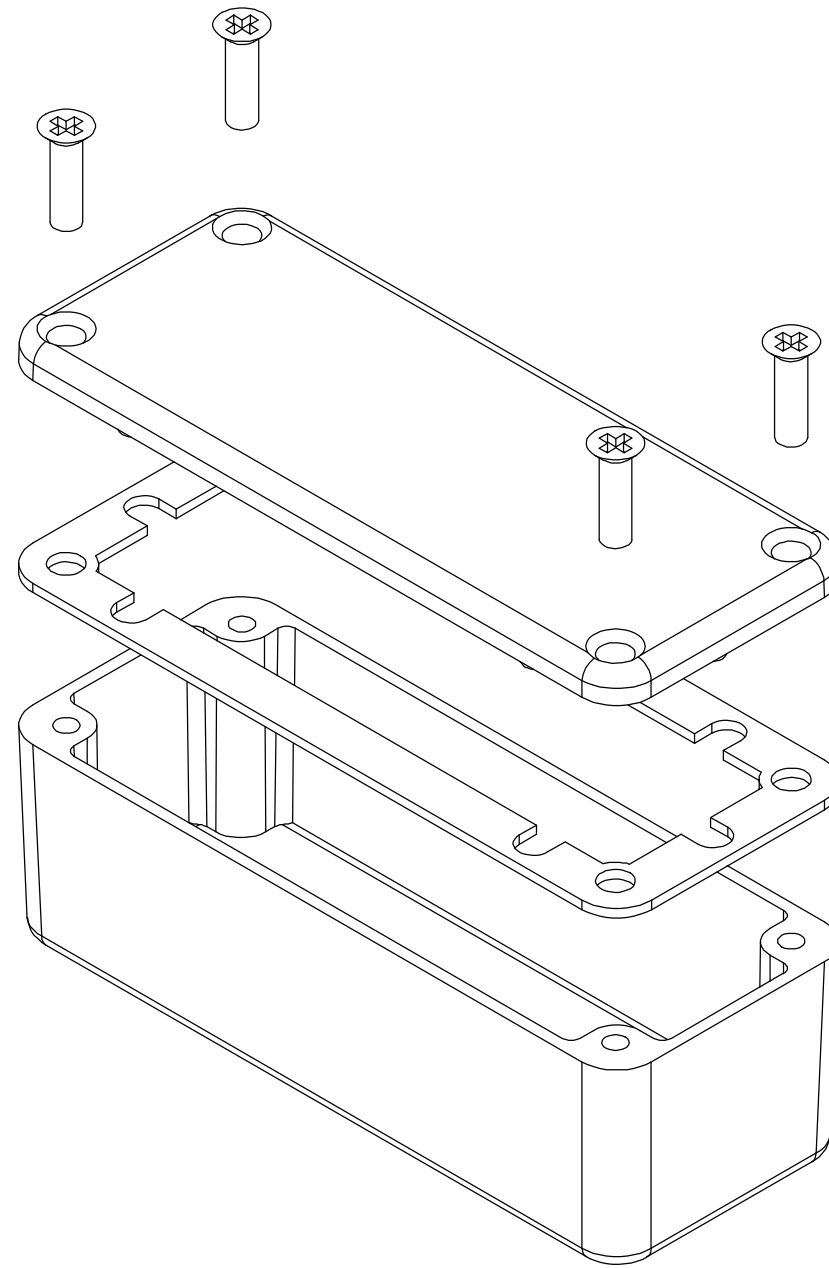


THE INFORMATION CONTAINED IN THIS DRAWING IS THE SOLE PROPERTY OF BUD INDUSTRIES INC. ANY REPRODUCTION IN PART OR WHOLE WITHOUT THE WRITTEN PERMISSION OF BUD INDUSTRIES INC. IS PROHIBITED.

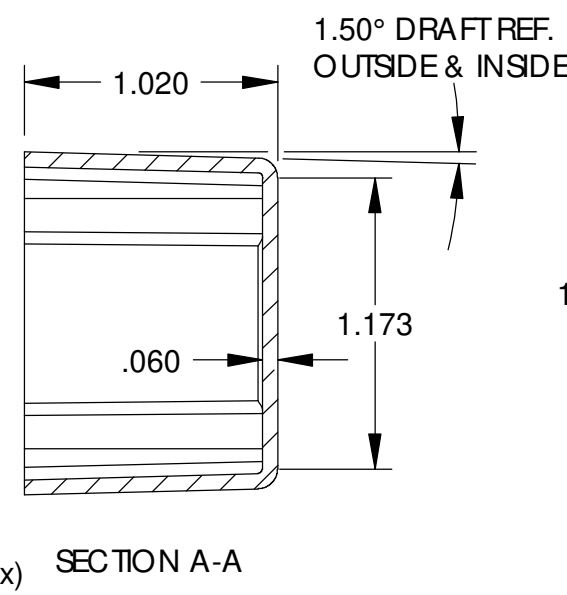
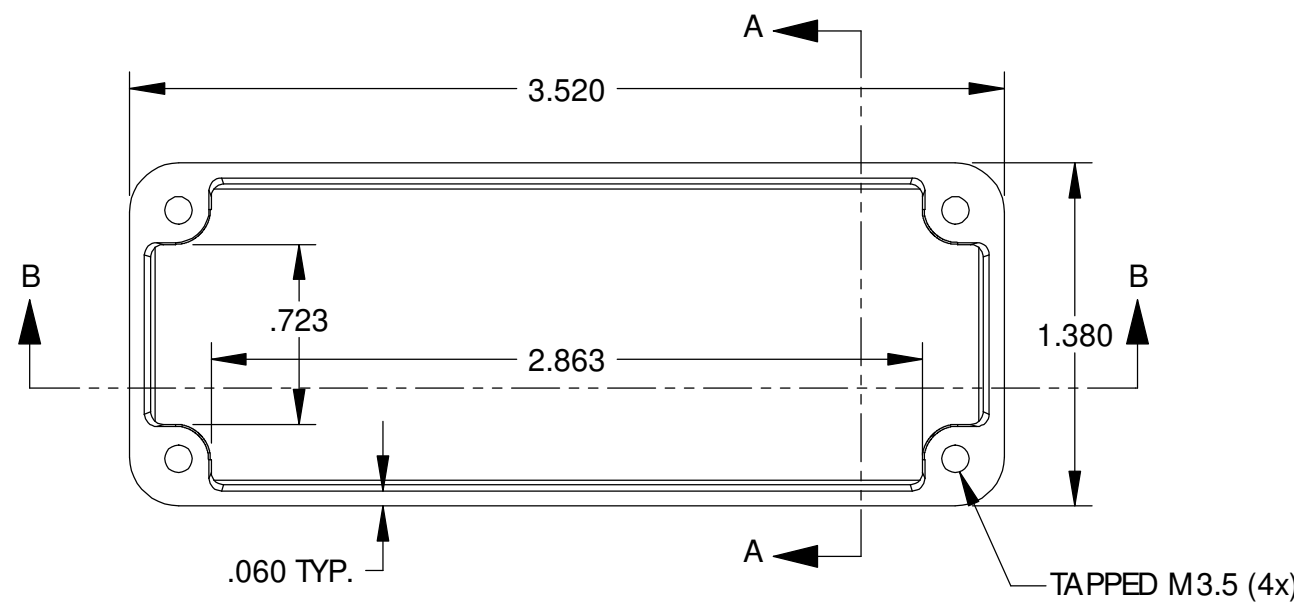
DWG. NO. CN-5702
 ISSUE REVISIONS

MATERIAL - ALUMINUM ALLOY #ADC-12
 FINISH - NATURAL (CONTACT BUD FACTORY FOR ALTERNATE FINISHES)
 GASKET - RATED IP65 NEOPRENE, SELF-ADHESIVE, 3mm THICK, COLOR BLACK
 SCREWS - STAINLESS STEEL, M3.5 x 12mm LG., C.S.K. HEAD, SELF-THREADING

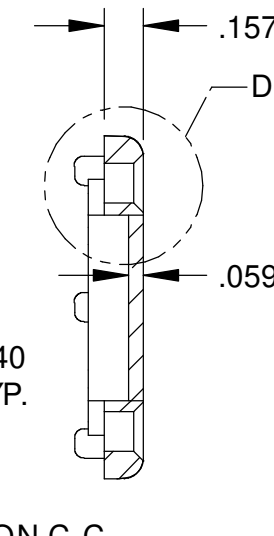
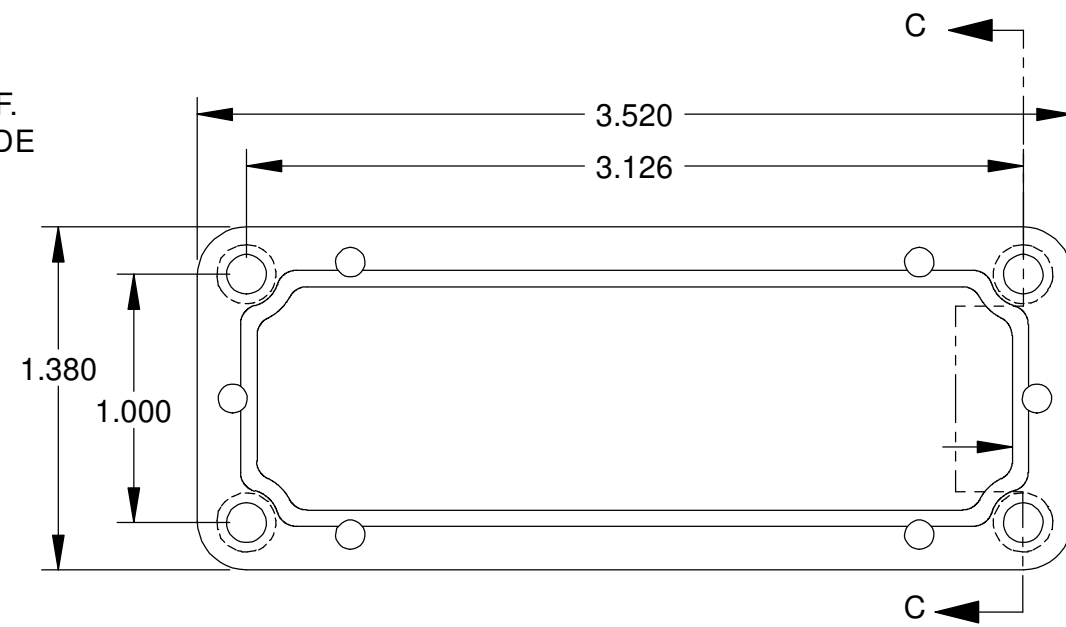
ALL HOLE DIAMETERS HAVE $\pm .005$ TOLERANCE
 ALL OTHER DIMENSIONS HAVE $\pm .015$ TOLERANCE
 ENCLOSURES ARE SHIPPED UNASSEMBLED WITH ALL ITEMS SHOWN.



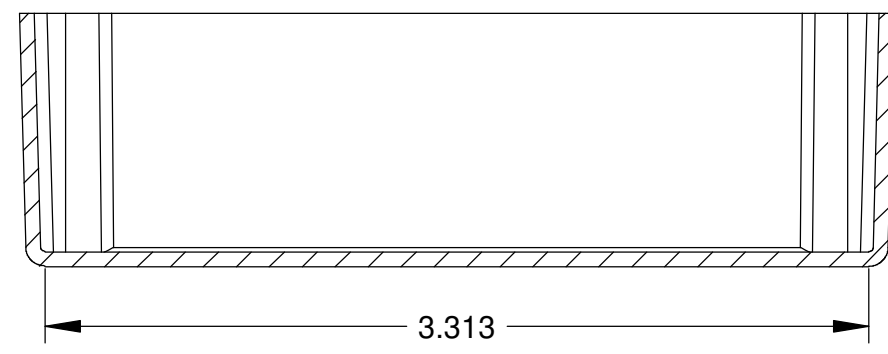
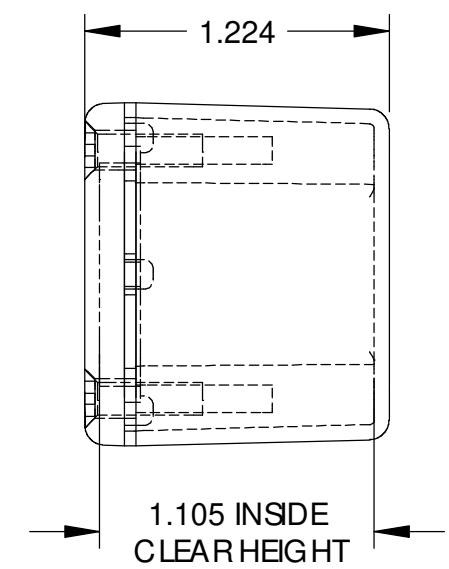
DETAIL D
 SCALE 6 : 1



BODY



COVER



SECTION B-B

PARTS LIST			
+/- .005 BETWEEN HOLE CENTERS +/- .015 FROM SHEARED EDGE +/- .032 FROM A BENT SURFACE +/- .062 BETWEEN ASSEMBLED SURFACES UNLESS OTHERWISE SPECIFIED	CAD GENERATED DRAWING. DO NOT MANUALLY UPDATE.	BUD INDUSTRIES INC.	
MATERIAL AS NOTED	APPROVALS DRAWN: DAB CHECKED:	DATE 3-31-06	DIE CAST ALUMINUM ENCLOSURE
FINISH AS NOTED	APPROVED:	DWG. NO. CN-5702	REV.
QTY.	USED ON	DO NOT SCALE DRAWING	SCALE CAD FILE SHEET 1 OF 1