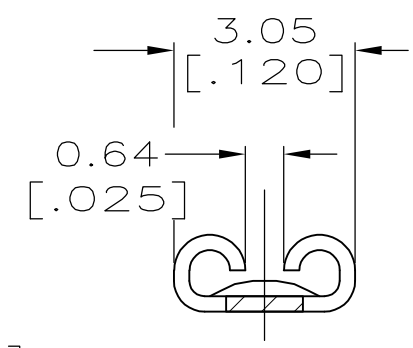
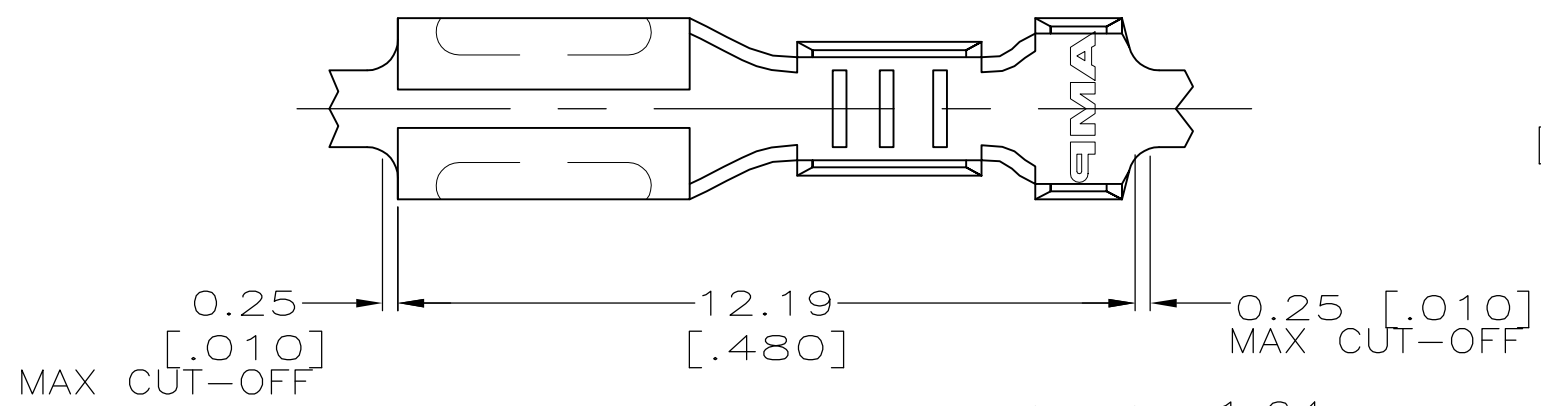


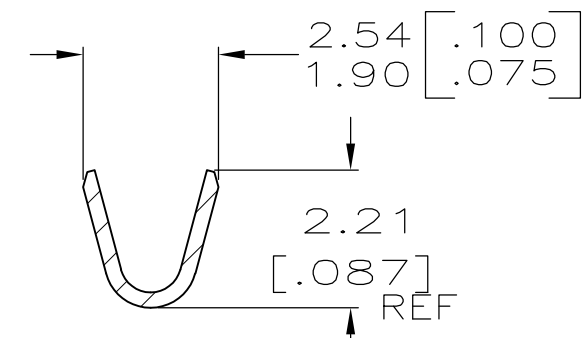
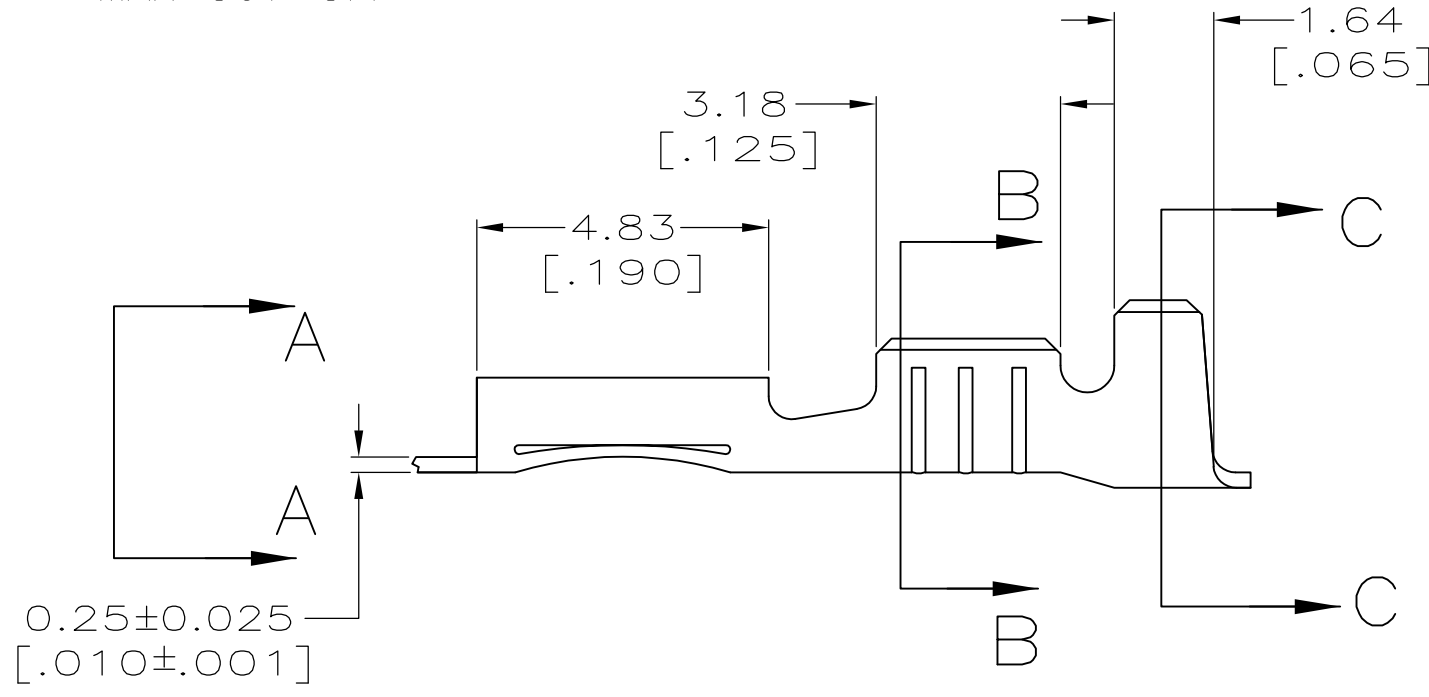
THIS DRAWING IS UNPUBLISHED. RELEASED FOR PUBLICATION  
 © COPYRIGHT - By - ALL RIGHTS RESERVED.

LOC	DIST	REVISIONS			
P	LTR	DESCRIPTION	DATE	DWN	APVD
AF	50	F	REVISED PER ECR-12-013518	23NOV2012	KH PD

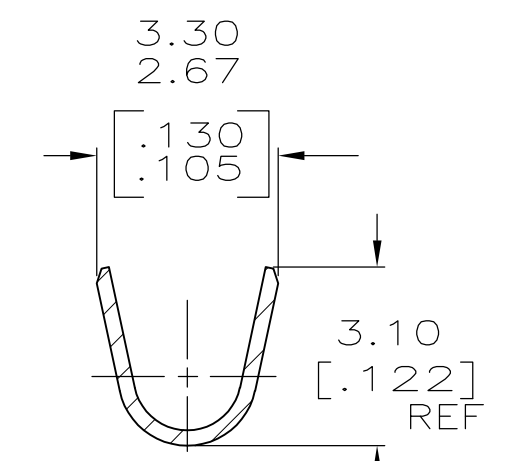


VIEW A-A

- 1 SUPPLIED IN LOOSE PIECE OR STRIP FORM, SEE DASH NUMBERS.
- 2 WIRE SIZE [#22-#18] AWG.
- 3 MATING TAB IS 0.25±0.025 [.010±.001] THK.
- 4 INSULATION RANGE IS 1.27-2.16 [.050-.085] DIA.




SECTION B-B



SECTION C-C

STRIP	63391-2
LOOSE PIECE	63391-1
SUPPLIED TO CUSTOMER	PART NO.

THIS DRAWING IS A CONTROLLED DOCUMENT.		DWN	JR RUTH	1/29/98	 TE Connectivity NAME RECEPTACLE, TAB, 2.36 [.093]
DIMENSIONS: mm [INCHES]		CHK	P FORTNEY	1/29/98	
TOLERANCES UNLESS OTHERWISE SPECIFIED:		APVD	J GILLESPIE	1/29/98	
0 PLC ± - 1 PLC ± - 2 PLC ± 0.25 [.010] 3 PLC ± - 4 PLC ± - ANGLES ± -		PRODUCT SPEC	-	-	
MATERIAL	BRASS	FINISH	0.002032 [.000080] PRE-TIN	WEIGHT	-
CUSTOMER DRAWING				SIZE	A3
				CAGE CODE	00779
				DRAWING NO	C-63391
				RESTRICTED TO	-
				SCALE	8:1
				SHEET	1 OF 1
				REV	F