

PRODUCT NUMBER
10127718-00XXLF

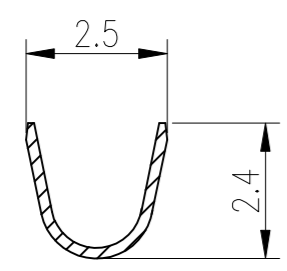
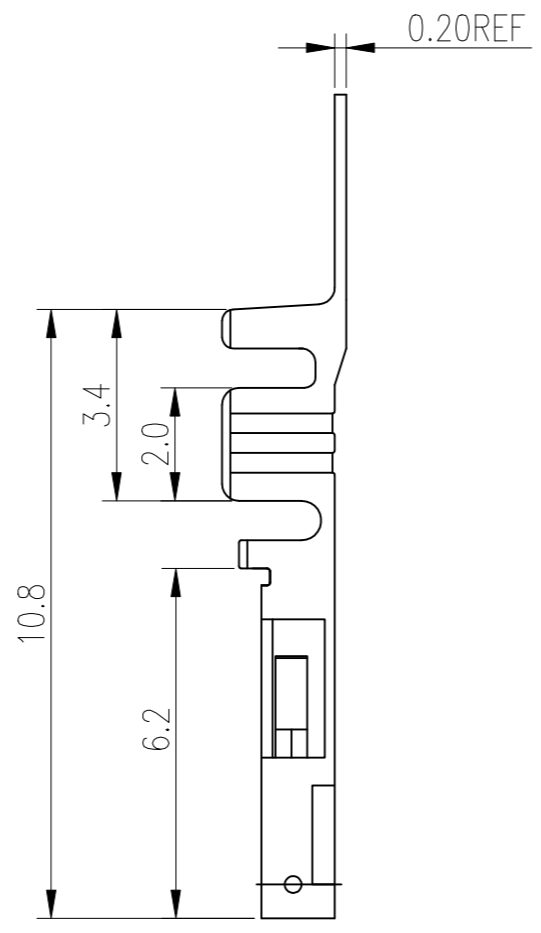
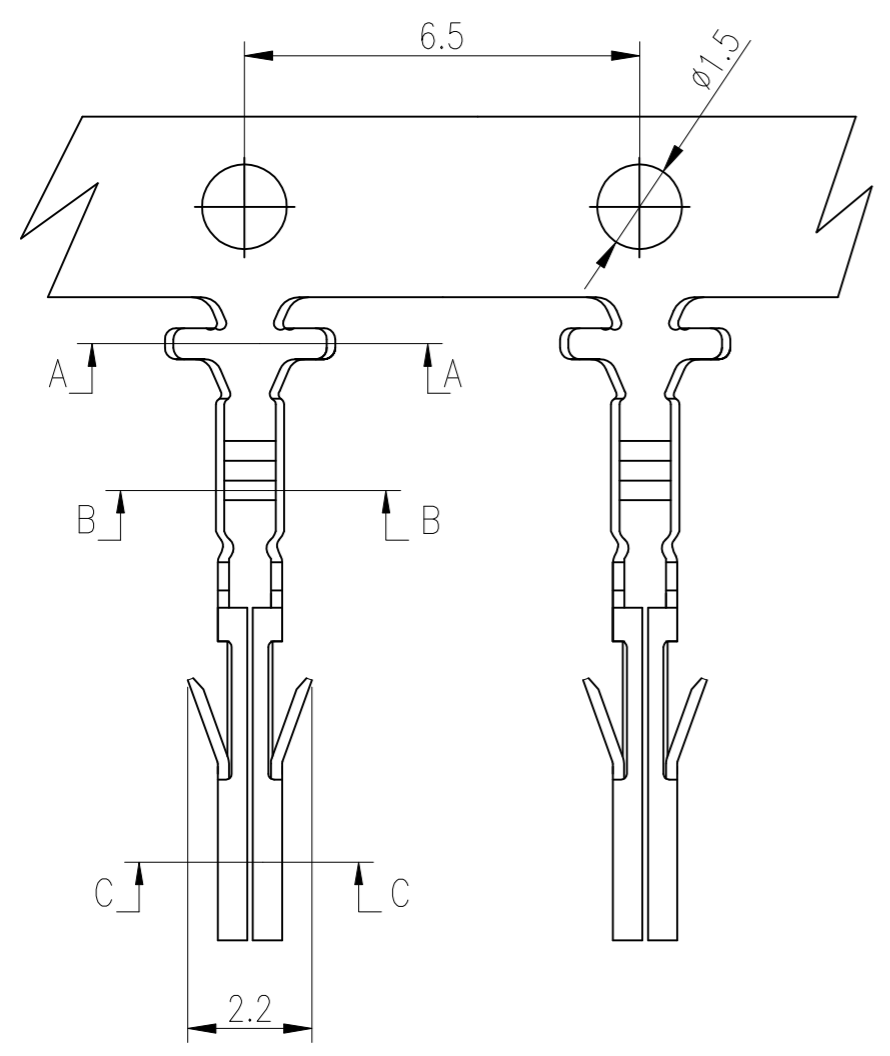
FOR 10127718-00XXLF (20-24AWG)

- NOTES:
- MATERIAL:
TERMINAL: PHOSPHORUS BRONZE
 - PLATING:
CONTACT AREA : OPTIONAL
REMAINING AREA : 80μ" MIN. BRIGHT TIN FOR POST-PLATED TERMINAL
: 30μ" MIN. NICKEL FOR PRE-PLATED TERMINALS
UNDER PLATING : MIN. 30u" NICKEL OVERALL
 - REFER GS-20-0399 APPLICATION SPECIFICATION FOR MATING CONNECTOR
 - PRODUCT SPECIFICATION: GS-12-1177.
 - REEL PACKING SPECIFICATION: GS-14-2359.
 - APPLICATION SPECIFICATION : GS-20-0399
 - LEAD FREE PRODUCTS MEET EUROPEAN UNION DIRECTIVES AND OTHER COUNTRY REGULATIONS AS DESCRIBED IN GS-47-0004
 - PRODUCT NUMBER SCHEME:
10127718-X 0 X X LF

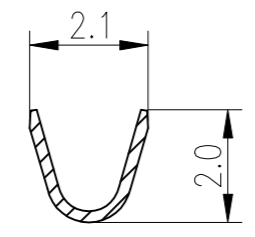
APPLICABLE WIRE
0: 20-24 AWG
1: 26-30 AWG

PLATING TYPE
P: PRE-PLATED
BLANK: POST-PLATED

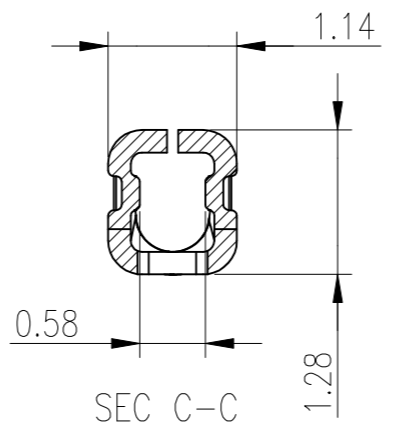
PLATING CODE
1: 80u" BRIGHT TIN OVERALL, CONTACT AREA COATED WITH LUBRICANT (POST-PLATED)
2: GOLD FLASH (PRE-PLATED).
3: 15u" Au (PRE-PLATED)
4: 30u" Au (PRE-PLATED)



SEC A-A



SEC B-B



SEC C-C
SCALE 2:1

FOR WIRE SIZE AWG#20~24

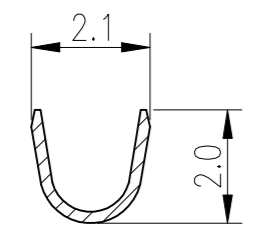
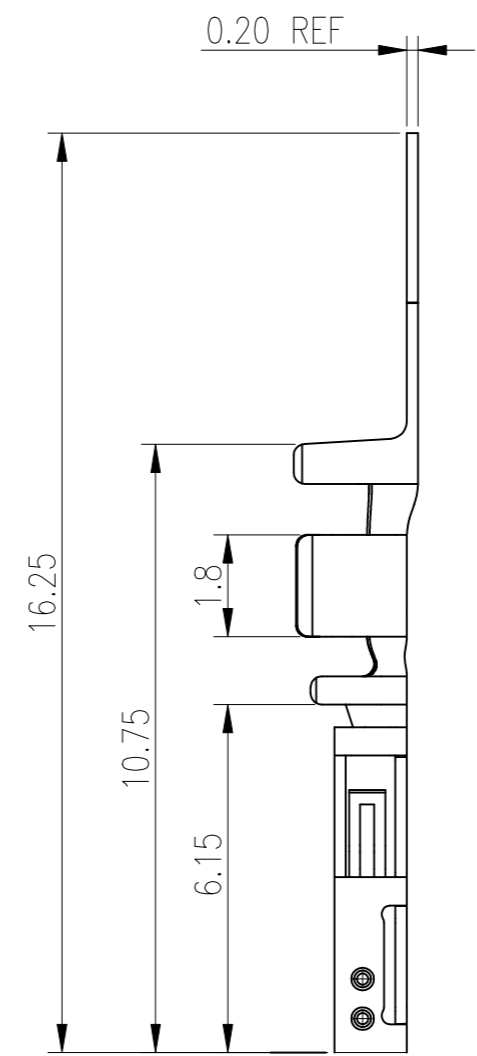
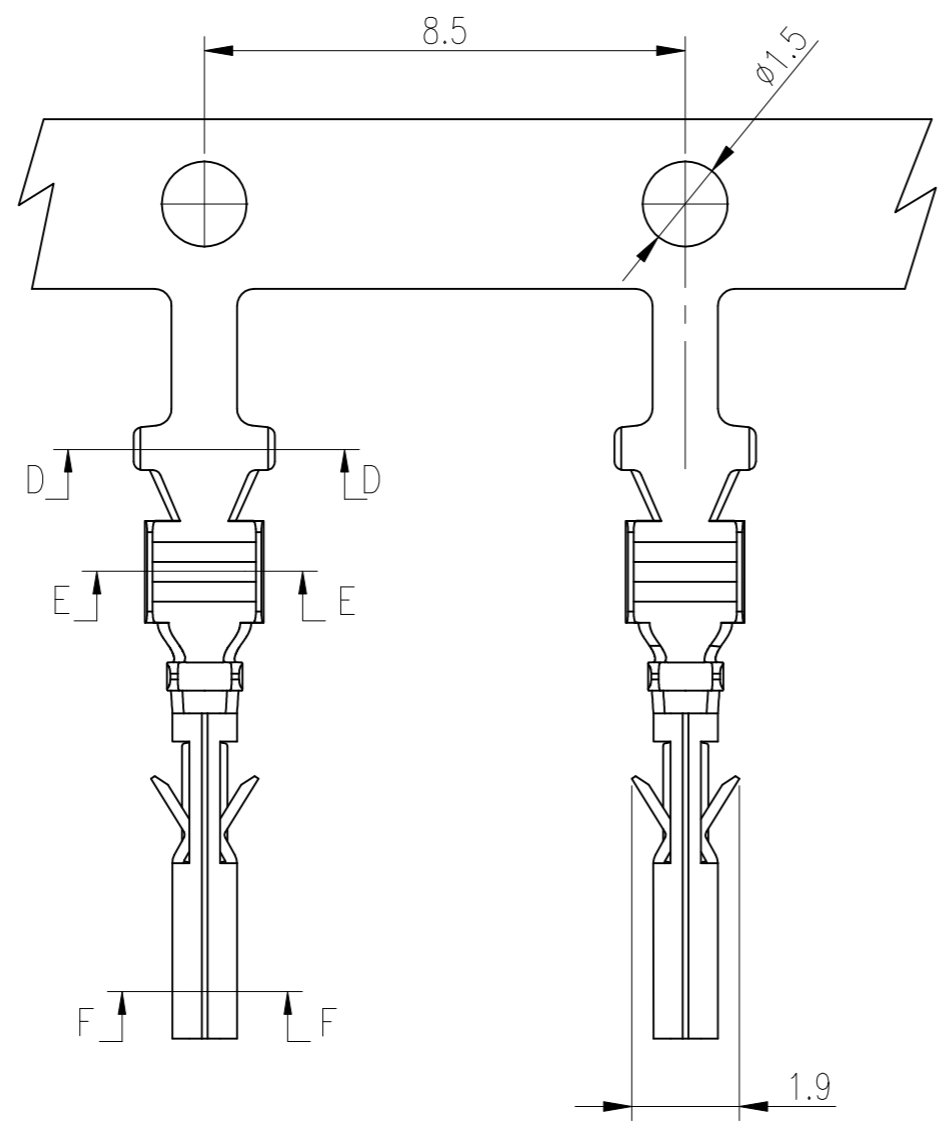
mat'l. code		surface		tolerance		projection		product family		
		ISO 1302 ✓		ISO 406 ISO 1101		mm		MINITEK PWR 3.0		
		tolerances unless otherwise specified				mm		title		
A		TAI	2013-10-21	angles				RECEPTACLE CRIMP TERMINAL FOR MINITEK PWR3.0 WIRE CONNECTOR		
B	ELX-T-17032	TAI	2014-02-25	linear						
C	ELX-T-18006	TAI	2014-06-19	0°±x'			scale	N.T.S		
D	ELX-T-21533	TAI	2017-07-15	dr	KENNY TAI	2013-10-21	Amphenol FCI		sheet 1 of 2	
E	ELX-T-23008	TAI	2016-01-12	engr	AKHIL RAJAN	2022-01-17			size A3	
F	ELX-I-43461	AKHIL	2022-01-17	chr	MITHUN PAUL	2022-01-17			type Product Customer Drawing	
				appd	SPK	2022-01-17				
sheet index	revision sheet	F	F							
		1	2							

Amphenol FCI

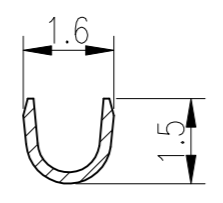
© 2016 AFCI

PRODUCT NUMBER
10127718-10XXLF

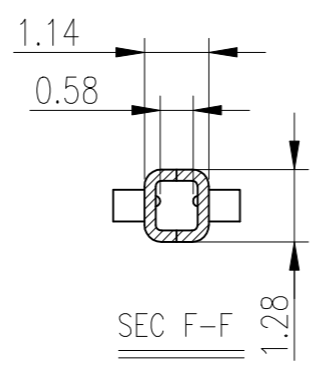
FOR 10127718-10XXLF (26-30AWG)



SEC D-D



SEC E-E



SEC F-F

FOR WIRE SIZE AWG#26~30

mat'l. code		surface		tolerance		projection		product family	
		ISO 1302 ✓		ISO 406 ISO 1101		mm		MINITEK PWR 3.0	
ltr		ecn no		dr		date		title	
								RECEPTACLE CRIMP TERMINAL FOR MINITEK PWR3.0 WIRE CONNECTOR	
				angles		linear		scale	
				0°±x'				N.T.S	
				dr		KENNY TAI		2013-10-21	
				engr		AKHIL RAJAN		2022-01-17	
				chr		MITHUN PAUL		2022-01-17	
				appd		SPK		2022-01-17	
sheet index		revision sheet		F 1		F 2			

