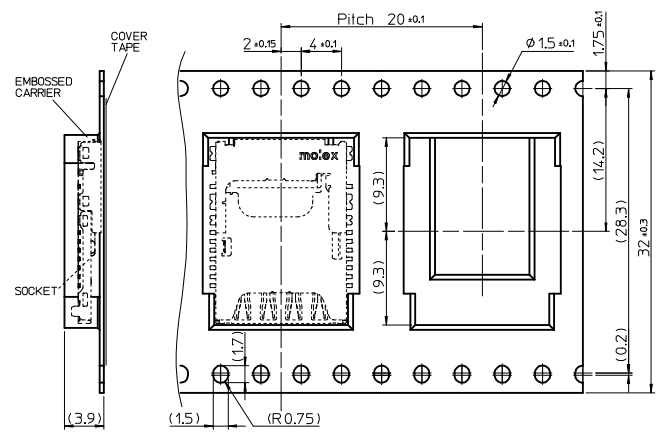
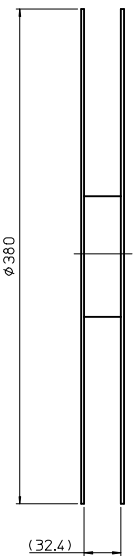
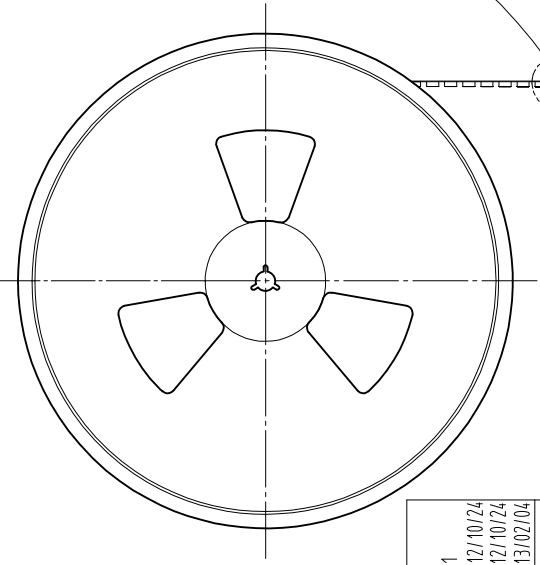


10 9 8 7 6 5 4 3 2 1



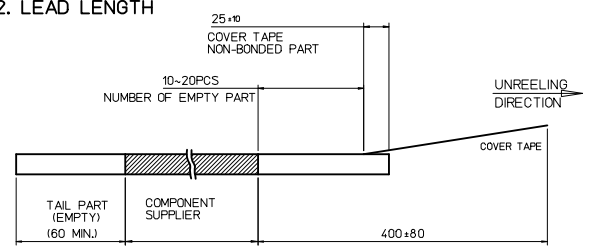
TOP VIEW OF EMBOSSER CARRIER



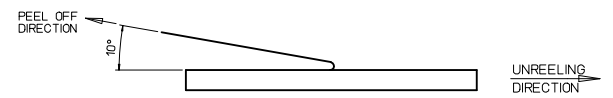
NOTES

1. QUANTITY OF PRODUCTS : 1,200 PCS / 1 REEL

2. LEAD LENGTH



3. PEELING OFF FORCE OF COVER TAPE : 0.1N~0.59N(10.2~60gf)
 (PEELING DIRECTION AS BELOW)
 - PEELING OFF SPEED : 300mm/Min.(Ref.)

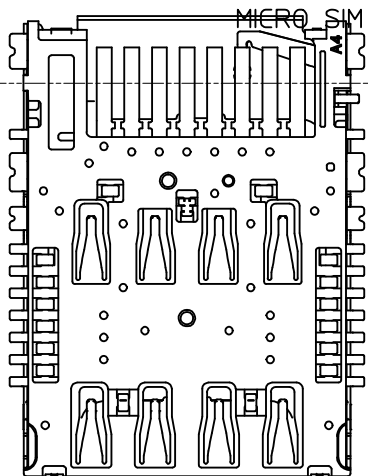
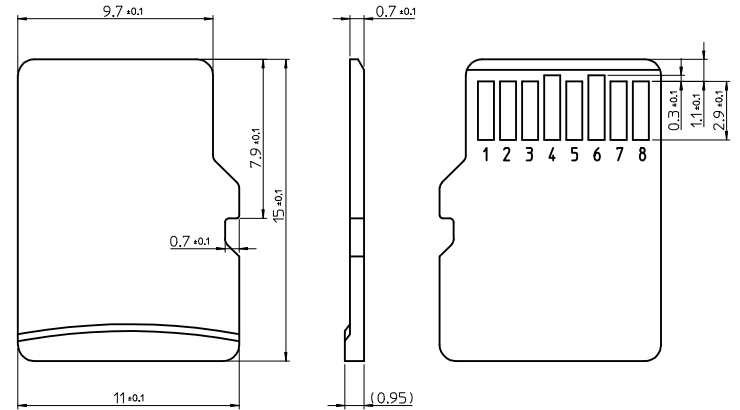
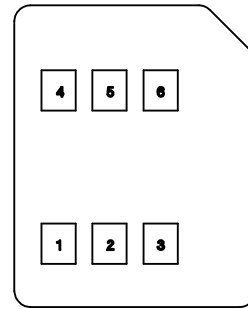
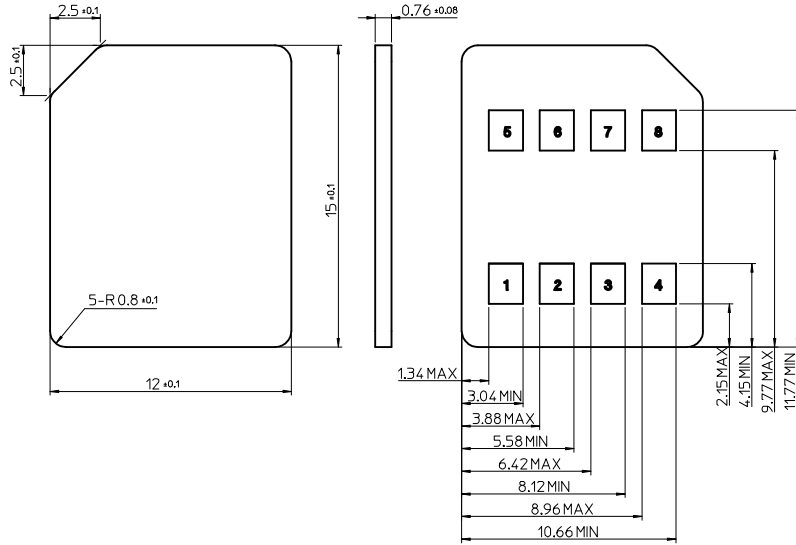


4. MATERIALS OF EMBOSSER CARRIER AND COVER TAPE :
 PET(POLYETHYLEN TEREPHTHALATE)

SEE SHEET1 EC NO: KOR2013-0041 DRWN: ICYANG 2012/10/24 CHKD: SHCHU 2012/10/24 APPR: YSK1M02 2013/02/04	QUALITY SYMBOLS ▽=0 ▽=0	GENERAL TOLERANCES (UNLESS SPECIFIED)		DIMENSION STYLE MM ONLY	SCALE 2/1	DESIGN UNITS METRIC	THIRD ANGLE PROJECTION
			mm	INCH	DRAWN BY ICYANG	DATE 2012/03/31	TITLE COMBO 2.28H PUSH-PULL MICROSD/MICROSIM 8P/8P WITH DETECT SWITCH
		4 PLACES	± ---	± ---	CHECKED BY SHCHU	DATE 2012/04/12	molex
		3 PLACES	± 0.12	± ---	APPROVED BY YSK1M02	DATE 2013/02/04	
	ANGULAR ± 1 °		MATERIAL NO. SEE SHEET1	DOCUMENT NO. SD-104168-001	SHEET NO. 2 OF 3		
	DRAFT WHERE APPLICABLE MUST REMAIN WITHIN DIMENSIONS		SIZE A3	THIS DRAWING CONTAINS INFORMATION THAT IS PROPRIETARY TO MOLEX INCORPORATED AND SHOULD NOT BE USED WITHOUT WRITTEN PERMISSION			

9 8 7 6 5 4 3 2 1

REFERENCE DRAWING



MICRO SIM SPECIFICATION

MICRO SIM 6P

microSD CARD

[Reference Standards]
 -. microSD Card Addendum Version 3.0 Draft 0.8
 -. ETSI TS 102 221 V9.1.0, Smart Cards, UICC-Terminal interface, Physical and logical characteristics

SEE SHEET1 EC NO: KOR2013-0041 DRWN: ICYANG 2012/10/24 CHKD: SHCHU 2012/10/24 APPR: YSKIM02 2013/02/04	QUALITY SYMBOLS ▽=0 ▽=0	GENERAL TOLERANCES (UNLESS SPECIFIED)		DIMENSION STYLE MM ONLY	SCALE 4/1	DESIGN UNITS METRIC	THIRD ANGLE PROJECTION
			mm	INCH	DRAWN BY ICYANG	DATE 2012/03/31	TITLE COMBO 2.28H PUSH-PULL MICROSD/MICROSIM 8P/8P WITH DETECT SWITCH
		4 PLACES	± ---	± ---	CHECKED BY SHCHU	DATE 2012/04/12	molex
		3 PLACES	± 0.12	± ---	APPROVED BY YSKIM02	DATE 2013/02/04	
2 PLACES	± 0.12	± ---	MATERIAL NO.	DOCUMENT NO.	SHEET NO.		
1 PLACE	± 0.15	± ---	ANGULAR ± 1 °		SEE SHEET1	SD-104168-001	3 OF 3
0 PLACE	± ---	± ---	DRAFT WHERE APPLICABLE MUST REMAIN WITHIN DIMENSIONS		THIS DRAWING CONTAINS INFORMATION THAT IS PROPRIETARY TO MOLEX INCORPORATED AND SHOULD NOT BE USED WITHOUT WRITTEN PERMISSION		