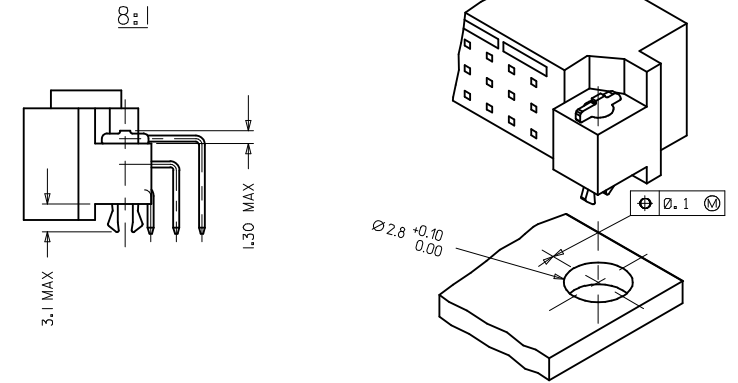


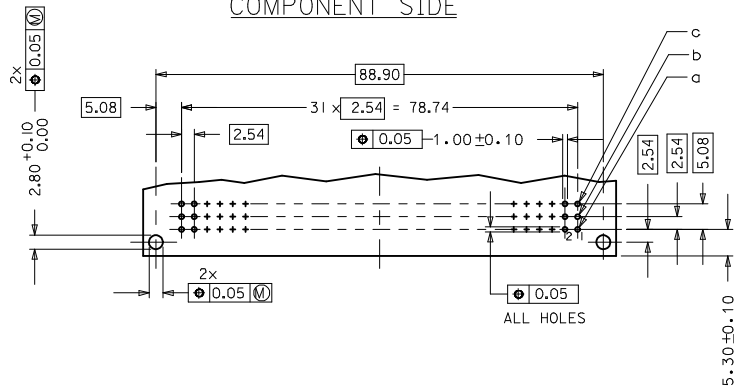
WITH MOUNTING CLIPS



NOTES:

- MATERIALS: THERMOPLASTIC POLYESTER, GLASS FILLED, UL94V-0  
COLOUR: PEBBLE GREY RAL 7032  
TERMINAL - BRASS  
MOUNTING CLIP: STEEL
- FINISH: CONTACT AREA
  - PERFORMANCE LEVEL 1: SELECTIVE GOLD (Au), THICKNESS = 1.1 MICROMETER OVER NICKEL, THICKNESS = 1.25 MICROMETER
  - PERFORMANCE LEVEL 2: SELECTIVE GOLD (Au), THICKNESS = 0.6 MICROMETER OVER NICKEL, THICKNESS = 1.25 MICROMETER
  - PERFORMANCE LEVEL 3: SELECTIVE GOLD (Au), THICKNESS = 0.3 MICROMETER OVER NICKEL, THICKNESS = 1.25 MICROMETER
 TERMINATION AREA : SELECTIVE TIN, THICKNESS = 2.5 MICROMETER OVER NICKEL, THICKNESS = 1.25 MICROMETER OVERALL
- MOUNTING CLIP:-  
TIN (Sn), THICKNESS = 5-10 MICROMETER,  
OVER NICKEL (Ni), THICKNESS = 2.5 MICROMETER
- FOR NON MOUNTING CLIP OPTION, CONNECTOR TO BE SECURED WITH RIVETS: 2 TUBULAR RIVETS 2.5 x 0.3 ... DIN 7340  
SCREWS: 2 CHEESEHEAD SCREWS M2.5 x ... DIN 84 AND 2 HEXAGONAL NUTS M2.5 DIN 934
- STANDARD MARKING : MOLEX, MATERIAL NUMBER, BATCH CODE
- CUT FACE OF TIP WITHOUT PLATING PERMITTED
- PRODUCT SPECIFICATION PS : 85003-0001

RECOMMENDED PCB LAYOUT  
COMPONENT SIDE



LMFB CONTACTS	4,2
FMLB CONTACTS	5,4
NORMAL CONTACTS	4,8
	M

RoHS COMPLIANT

EC NO: 2007-0172 DRAWN: JAYENG CHKD: SUDHIR APPR: KRASAD	2008/06/07 2008/06/19 2009/10/22	QUALITY SYMBOLS ▽=0 ▽=0	GENERAL TOLERANCES (UNLESS SPECIFIED)		DIMENSION STYLE MM ONLY		SCALE 2:1	DESIGN UNITS METRIC	THIRD ANGLE PROJECTION
			mm	INCH	DRAWN BY SS	DATE 2001/05/28	TITLE 96 POS. MALE CONNECTOR ACC. DIN 41612 STYLE C CONTACTS		
C1	REV	DESCRIPTION	4 PLACES ± --- ± ---	CHECKED BY GJLOWE	DATE 2001/05/28	MATERIAL NO. SD-85003-0001			
			3 PLACES ± 0.05 ± ---	APPROVED BY GJLOWE	DATE 2001/05/28	DOCUMENT NO. SD-85003-0001			SHEET NO. 2 OF
DRAFT WHERE APPLICABLE MUST REMAIN WITHIN DIMENSIONS			SEE CHART		THIS DRAWING CONTAINS INFORMATION THAT IS PROPRIETARY TO MOLEX INCORPORATED AND SHOULD NOT BE USED WITHOUT WRITTEN PERMISSION				

20 19 18 17 16 15 14 13 12 11 9 8 7 6 5 4 3 2 1

VIEW ON MATING SIDE

⊙	X	C	C	C	C	C	C	C	C	C	C	C	C	C	C	C	C	C	C	C	C	C	C	C	C	C	X					
⊙	B	B	B	B	B	B	B	B	B	B	B	B	B	B	B	B	B	B	B	B	B	B	B	B	B	B	B					
⊙	Z	A	A	A	A	A	A	A	A	A	A	A	A	A	A	A	A	A	A	A	A	A	A	A	A	A						
	32	31	30	29	28	27	26	25	24	23	22	21	20	19	18	17	16	15	14	13	12	11	10	9	8	7	6	5	4	3	2	1

A = 30 STANDARD CONTACTS L = 3  
 B = 32 STANDARD CONTACTS L = 3  
 C = 30 STANDARD CONTACTS L = 3  
 Z = 2 FMLB CONTACTS +0,6 L = 3  
 X = 2 FMLB CONTACTS +0,6 L = 3  
 S = 96 TOTAL NUMBER OF CONTACTS

MARKING	STANDARD
PERFORMANCE LEVEL	G2/O = CONTACT AREA LEVEL 2 / TERMINATION TIN
FLUX PROOF	NO
FIXING CLIP	NO
DIMENSIONS	SD-85003-0001 SHT 2

X	G2/O	c1, 32
Z	G2/O	a1, 32
C	G2/O	c2-31
B	G2/O	b1-32
A	G2/O	a2-31
CONTACT SYMBOL	PERFORMANCE LEVEL	CONTACT POSITION NUMBER

EC NO. I 2004-XXXX DRAWN: 09/09/03 CHK: G.L.: 09/09/03 APPR: L.L.: 09/09/03	QUALITY SYMBOLS MAJOR CRITICAL	GENERAL TOLERANCES: (UNLESS SPECIFIED): mm INCH 4 PLACES ±0. ±. 3 PLACES ±0. ±. 2 PLACES ±0. ±. 1 PLACE ±0. ±.	SCALE DESIGN UNITS DRAWN BY & DATE S.S. 16/05/02 CHECKED BY & DATE G.L. 16/05/02 APPROVED BY & DATE G.L. 16/05/02	DIMENSIONS: THIRD ANGLE PROJECTION TITLE: 96 POS MALE CONNECTOR ACCORDING DIN 41612 STYLE C CONTACTS ARRANGEMENT	SHEET NO. 1 OF 1	
	CAD FILENAME SD-85003-1548.S0	MATERIAL NO. 85003-1548	DRAWING NO. SD-85003-1548	MOLEX INCORPORATED		
	DRAFT WHERE APPLICABLE MUST REMAIN WITHIN DIMENSIONS		THIS DRAWING CONTAINS INFORMATION THAT IS PROPRIETARY TO MOLEX INCORPORATED AND SHOULD NOT BE USED WITHOUT WRITTEN PERMISSION.			
	SIZE D					

19 18 17 16 15 14 13 12 11 10 9 8 7 6 5 4 3 2 1