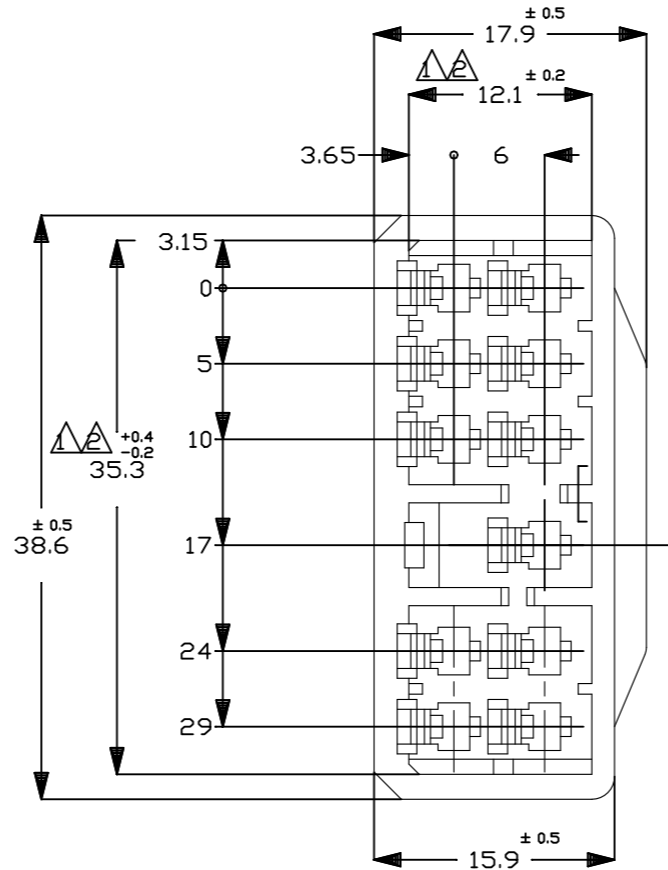
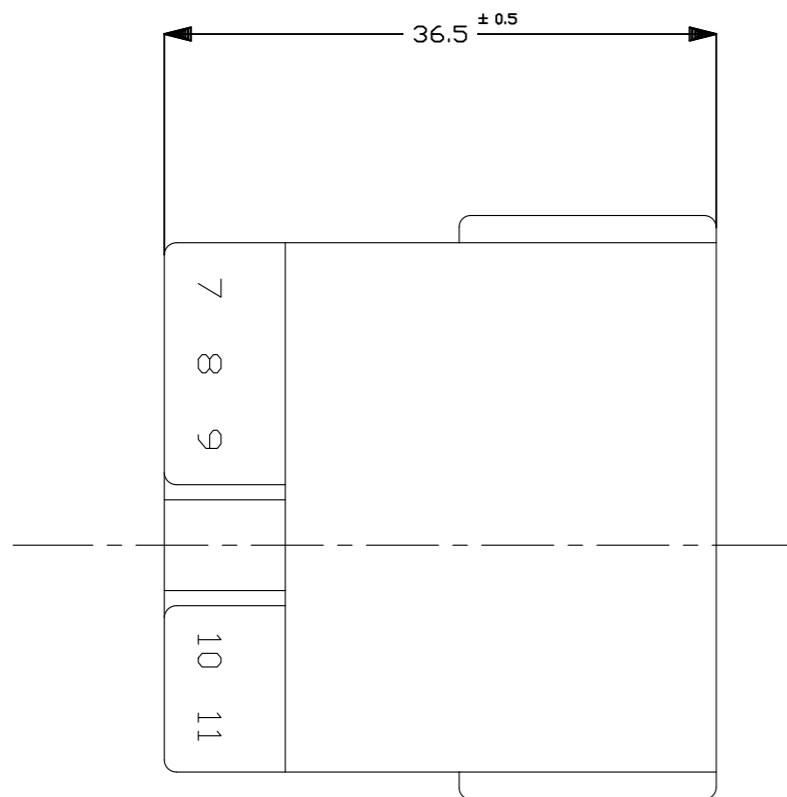


| P | LTR | DESCRIPTION | DATE | DWN | APVD |
|---|-----|---------------------------|-----------|-----|------|
| | A1 | REVISED PER ECR-23-165252 | 30JAN2023 | RK | MT |

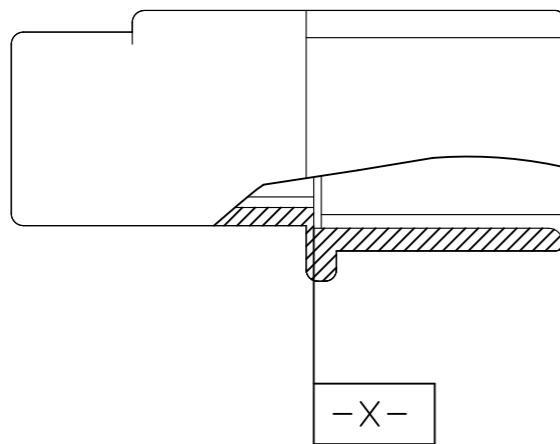


NOTES;

- △ TO BE MEASURED WITH IN 2mm FROM -A-
- △ IN COUPLING WITH THE PLUG HOUSING MATING SATISFIES FUNCTION
- 3 APPLIED CONTACT P/N 172777,172779
- 4 PRODUCT SPEC No. 108-5166
- 5 IN COUPLING WITH THE PLUG HOUSING MATING FORCE 29.4N(3Kgf)MAX. WITHOUT REC CONTACT

注；

- △ -A- 面より2mmの範囲で測定
- △ 相手ハウジングと所定の機能を満たして嵌合できること
- 3 内装するタブコンタクト型番172777,172779他
- 4 製品規格 NO.108-5166
- 5 相手ハウジングとの嵌合力は29.4N(3Kgf)以下
但しタブコンタクトは含まない



| | |
|---------------------|---------------------------|
| 172507-7 | 黄<YELLOW> |
| 172507-6 | 灰<GRAY> |
| 172507-5 | 青<BLUE> |
| 172507-4 | 緑<GREEN> |
| 172507-3 | 茶<BROWN> |
| 172507-2 | 黒<BLACK> |
| 172507-1 | 自然色<NATURAL> |
| 番号<PN> | 色<COLOR> |

OBSOLETE

一般公差
(GENERAL TOLERANCE)
10以下: ±0.2
10を超え 30以下: ±0.25
30を超え 100以下: ±0.3
角度 ±3°

| | | | | | | | |
|---|--|------------------------------|--|--|---------------|-----------|--|
| THIS DRAWING IS A CONTROLLED DOCUMENT. | | DWN K.YUASA 10/12'92 | TE Connectivity 11 Pos. CAP HOUSING MULTI-INTERLOCK CONN. (MIC-MKII) | | | | |
| DIMENSIONS: mm | | CHK A.TOMITA 10/12'92 | | | | NAME | |
| TOLERANCES UNLESS OTHERWISE SPECIFIED: | | APVD A.TOMITA 10/12'92 | | | | SIZE | |
| 0 PLC ± - 1 PLC ± - 2 PLC ± - 3 PLC ± - 4 PLC ± - ANGLES ± - | | PRODUCT SPEC | | | | CAGE CODE | |
| MATERIAL (NYLON) | | FINISH | DRAWING NO | | RESTRICTED TO | | |
| | | | A3 00779 C-172507 | | | | |
| | | | SCALE 2:1 | | SHEET 1 OF 1 | | |
| | | | REV A1 | | | | |