

THIS DRAWING IS UNPUBLISHED.

RELEASED FOR PUBLICATION

20

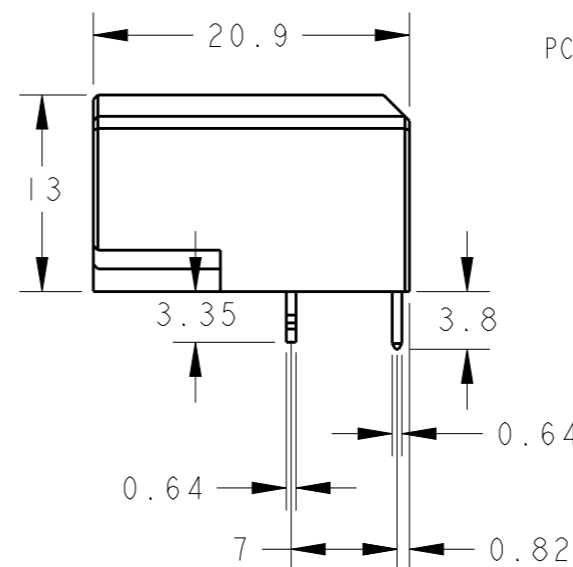
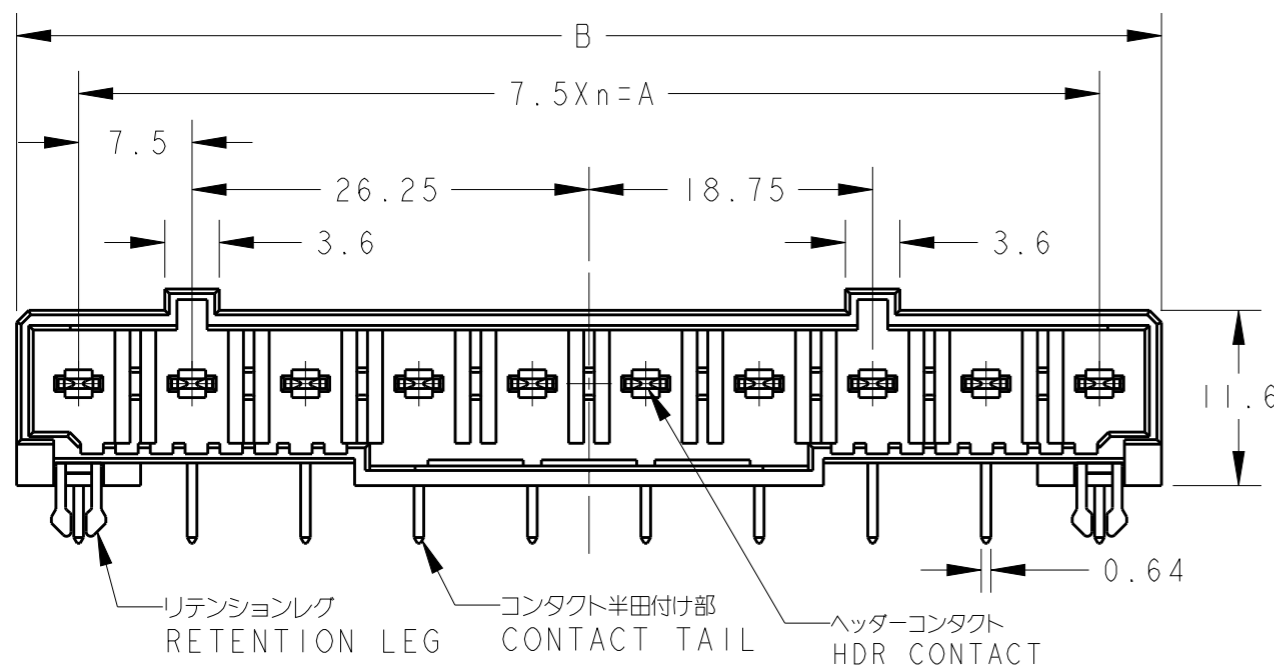
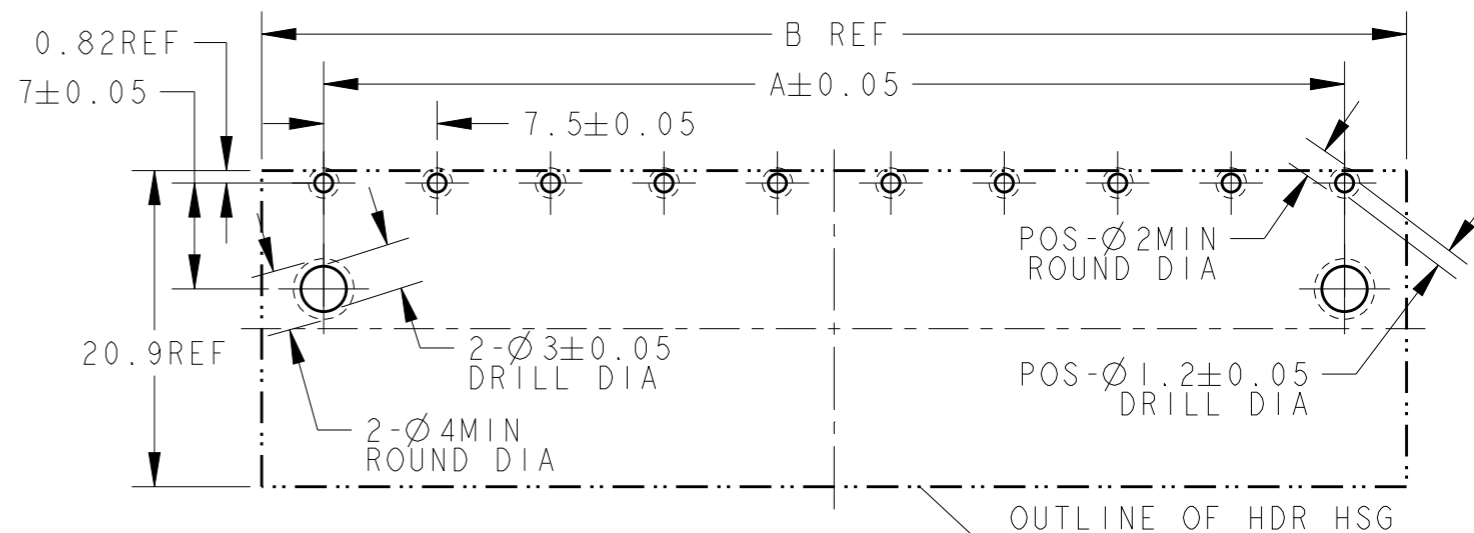
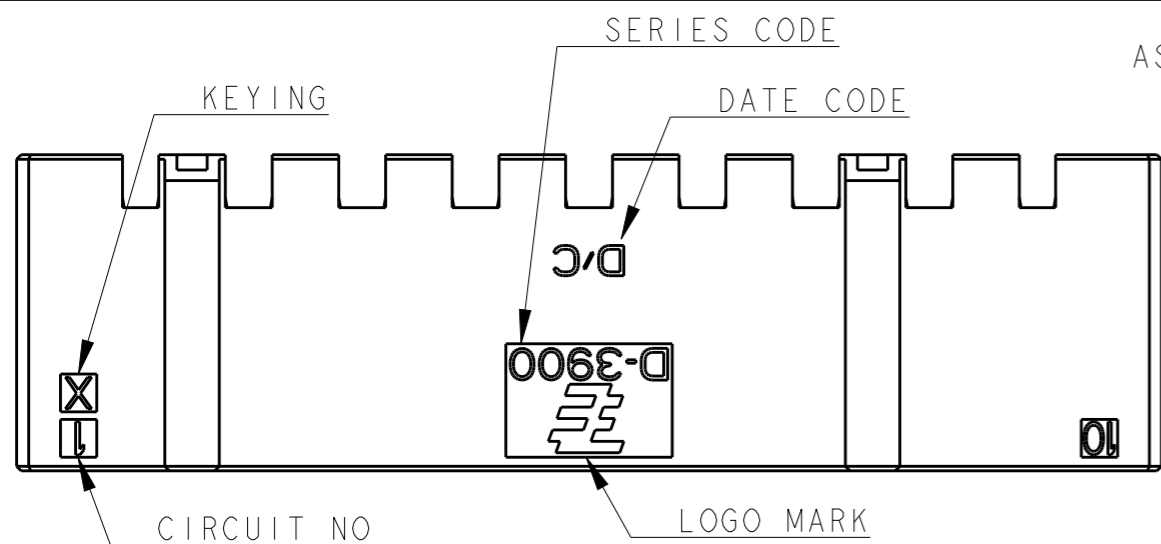
© COPYRIGHT 20 BY Tyco Electronics Japan G.K. ALL RIGHTS RESERVED.

LOC J DIST -

REVISIONS

P	LTR	DESCRIPTION	DATE	DWN	APVD
	C	REVISED	15APR2014	H.O	N.Y

AS SHOWN : 1-2013519-0 (10POS,X-KEY)



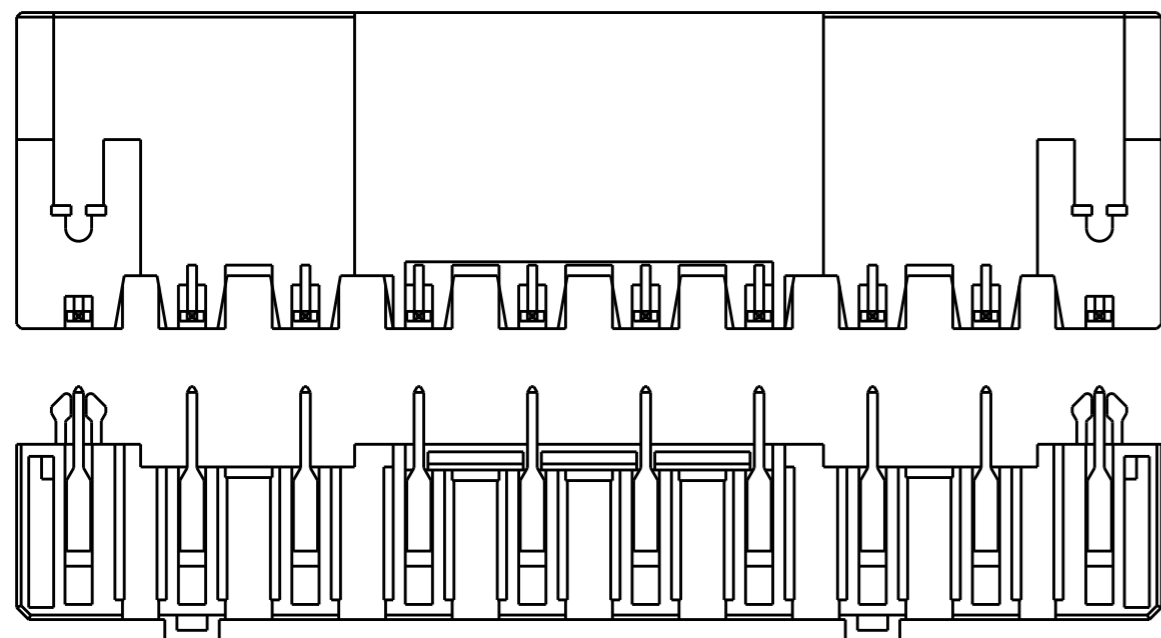
RECOMMEND PC BOARD HOLE PATTERN : CONNECTOR MOUNT SIDE (NOT ACCUMULATE TOLERANCE)
PC BOARD THICKNESS : 1.6±0.1

推奨基板取付寸法 : コネクタ搭載面 (非累積公差)
PC基板厚 : 1.6±0.1

- 材料:ハウジング:熱可塑性ポリエステル樹脂
コンタクト:銅合金
リテンションレグ:銅合金
- めっき:(コンタクト接触部):ニッケル下地めっきの上に金めっき0.38μm以上
- めっき:リテンションレグとコンタクト半田付け部:ニッケル下地めっきの上に錫めっき

- MATERIAL HOUSING:THERMO PLASTIC POLYESTER
CONTACT:COPPER ALLOY
RETENTION LEG:COPPER ALLOY
- FINISH(CONTACT AREA):0.38μmMIN GOLD PLATED OVER NICKEL
- FINISH(RETENTION LEG & CONTACT TAIL)
:TIN PLATED OVER NICKEL

10	Y	9	67.5	75.7	BLACK	2-2013519-0
10	X	9	67.5	75.7	BLACK	1-2013519-0
7/10	Z	9	67.5	75.7	BLACK	9-2013519-0
3	Z	2	15.0	23.2	BLACK	3-2013519-3
3	Y	2	15.0	23.2	NATURAL	4-2013519-3
3	X	2	15.0	23.2	BLACK	1-2013519-3
POS	KEY	n	A	B	COLOR	PART NO



THIS DRAWING IS A CONTROLLED DOCUMENT.

DWN T.KUDO 21APR2008

CHK S.MANABE 21APR2008

APVD S.MANABE 21APR2008

PRODUCT SPEC 108-78400, 5349

APPLICATION SPEC 114-5148

WEIGHT -

CUSTOMER DRAWING

SCALE 2:1

SHEET 1 OF 3

REV C

TE Connectivity

DYNAMIC D3900S 7.5mmPITCH HDR ASSY (H-TYPE) 3-10POS TYPE-A

SIZE A3 CAGE CODE 00779 DRAWING NO G-2013519

THIS DRAWING IS UNPUBLISHED.

RELEASED FOR PUBLICATION

20

© COPYRIGHT 20

BY Tyco Electronics Japan G.K.

ALL RIGHTS RESERVED.

LOC
J

DIST
-

REVISIONS

P LTR

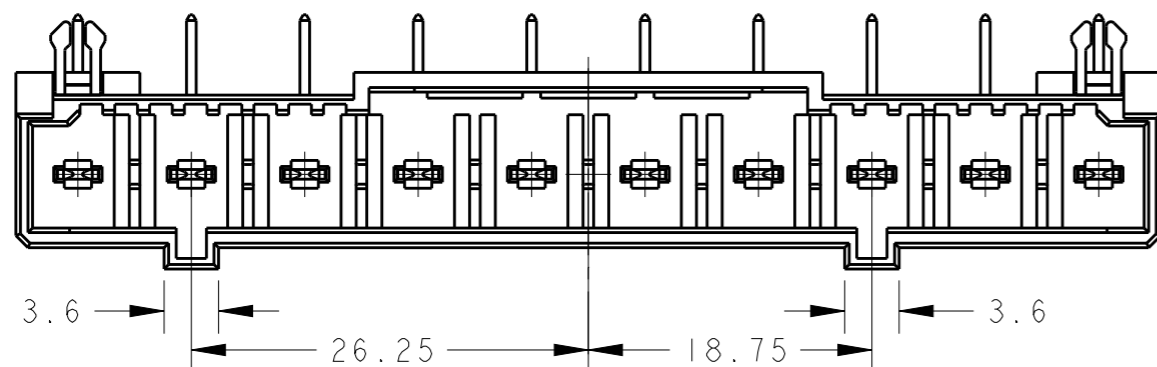
DESCRIPTION

DATE

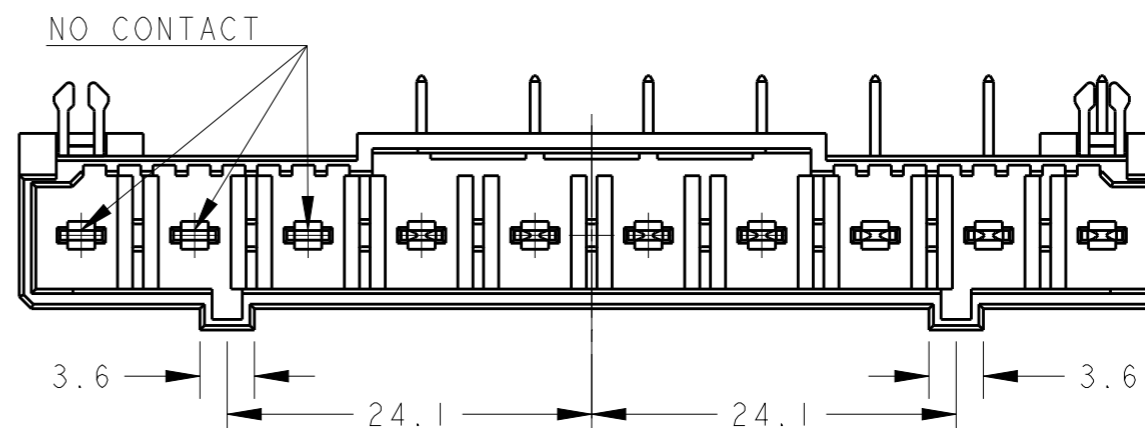
DWN

APVD

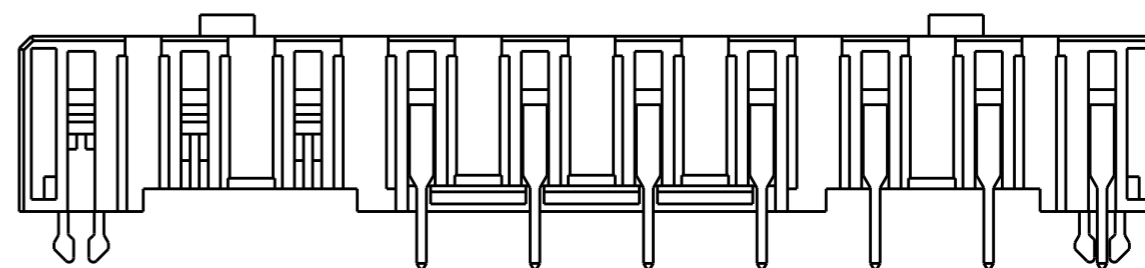
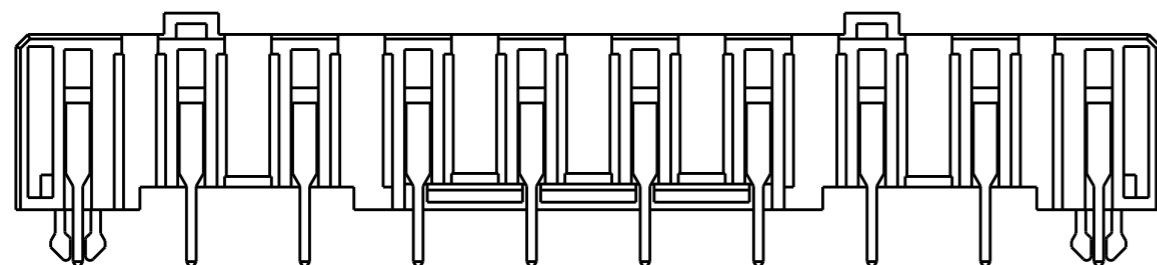
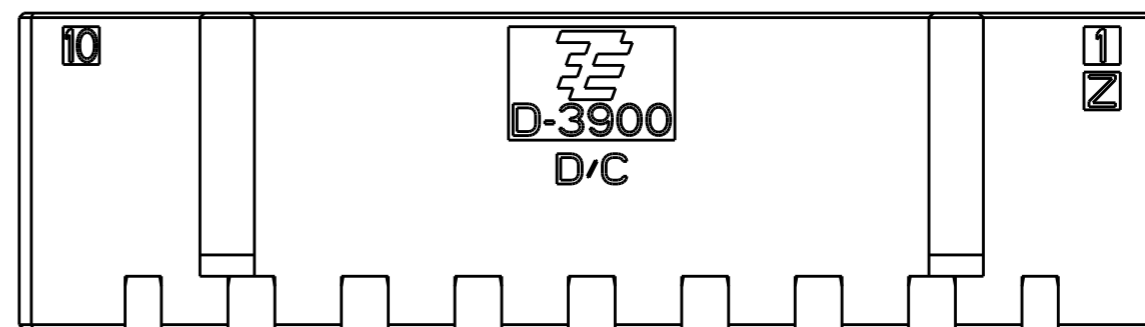
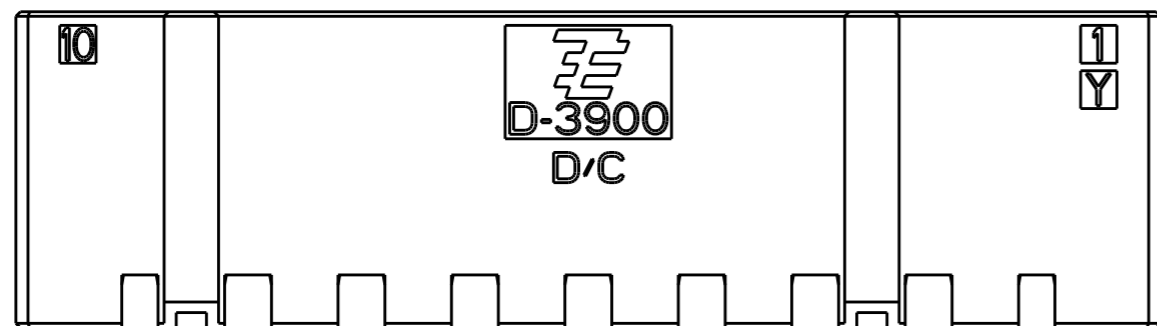
SEE SHEET 1



10POS(Y-KEY):2-2013519-0



7/10POS(Z-KEY)
CIRCUIT 1~7:9-2013519-0



THIS DRAWING IS A CONTROLLED DOCUMENT.

DWN T. KUDO 21APR2008

CHK S. MANABE 21APR2008

APVD S. MANABE 21APR2008

PRODUCT SPEC

108-78400, 5349

APPLICATION SPEC

114-5148

WEIGHT -

CUSTOMER DRAWING



TE Connectivity

NAME
DYNAMIC D3900S 7.5mmPITCH
HDR ASSY (H-TYPE)
3-10POS TYPE-A

SIZE CAGE CODE DRAWING NO RESTRICTED TO

A300779 C-2013519 -

SCALE 2:1 SHEET 2 OF 3 REV C

SEE SHEET 1 OF 3

DIMENSIONS:		TOLERANCES UNLESS OTHERWISE SPECIFIED:	
mm			
0 PLC	±-		
1 PLC	±-		
2 PLC	±-		
3 PLC	±-		
4 PLC	±-		
ANGLES	±-		
MATERIAL		FINISH	-

THIS DRAWING IS UNPUBLISHED.

RELEASED FOR PUBLICATION

20

© COPYRIGHT 20

BY Tyco Electronics Japan G.K.

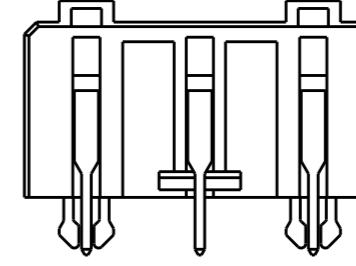
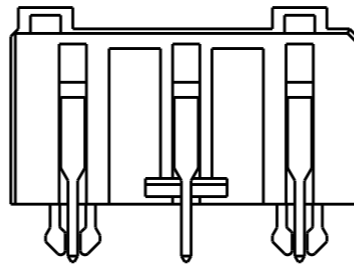
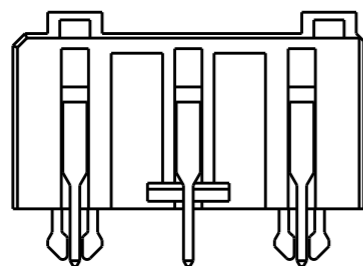
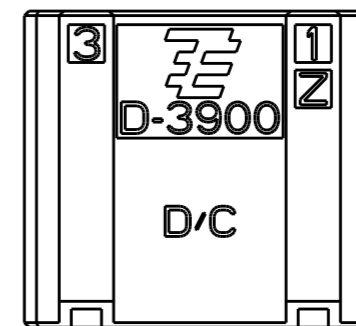
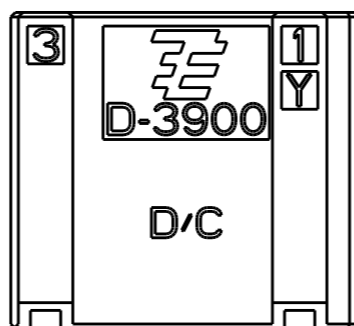
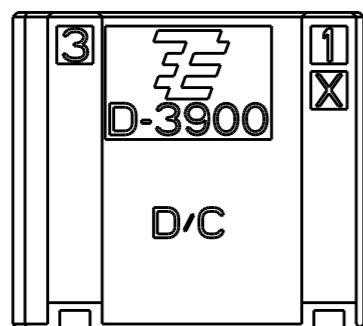
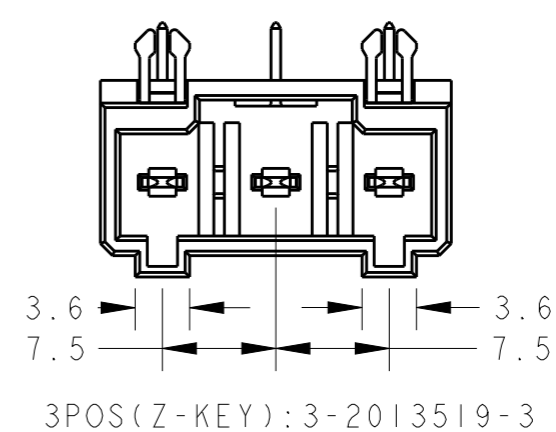
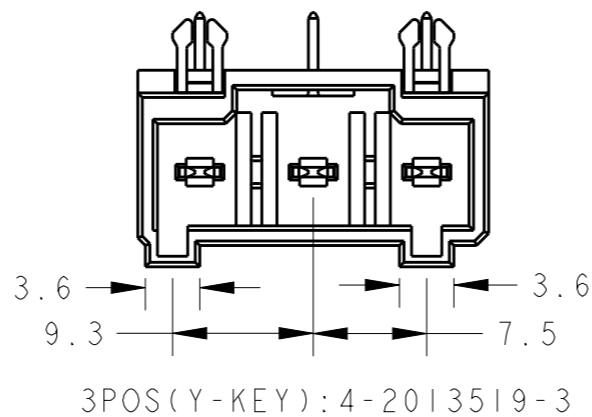
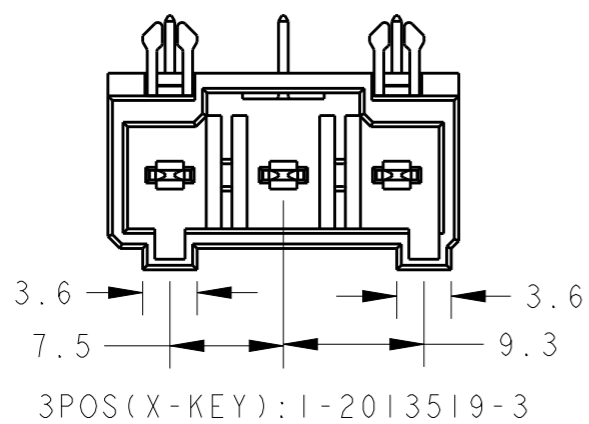
ALL RIGHTS RESERVED.

LOC
J

DIST
-

REVISIONS

P	LTR	DESCRIPTION	DATE	DWN	APVD
		SEE SHEET 1			



THIS DRAWING IS A CONTROLLED DOCUMENT.

DIMENSIONS:
mm

TOLERANCES UNLESS OTHERWISE SPECIFIED:

- 0 PLC ±-
- 1 PLC ±-
- 2 PLC ±-
- 3 PLC ±-
- 4 PLC ±-
- ANGLES ±-

MATERIAL

FINISH

DWN T. KUDO 21APR2008

CHK S. MANABE 21APR2008

APVD S. MANABE 21APR2008

PRODUCT SPEC

108-78400, 5349

APPLICATION SPEC

114-5148

WEIGHT -

CUSTOMER DRAWING



TE Connectivity

NAME
DYNAMIC D3900S 7.5mmPITCH
HDR ASSY (H-TYPE)
3-10POS TYPE-A

SIZE	CAGE CODE	DRAWING NO	RESTRICTED TO
------	-----------	------------	---------------

A3	00779	C-2013519	-
----	-------	-----------	---

SCALE	SHEET	OF	REV
-------	-------	----	-----

2:1	3	3	C
-----	---	---	---

SEE SHEET 1 OF 3