

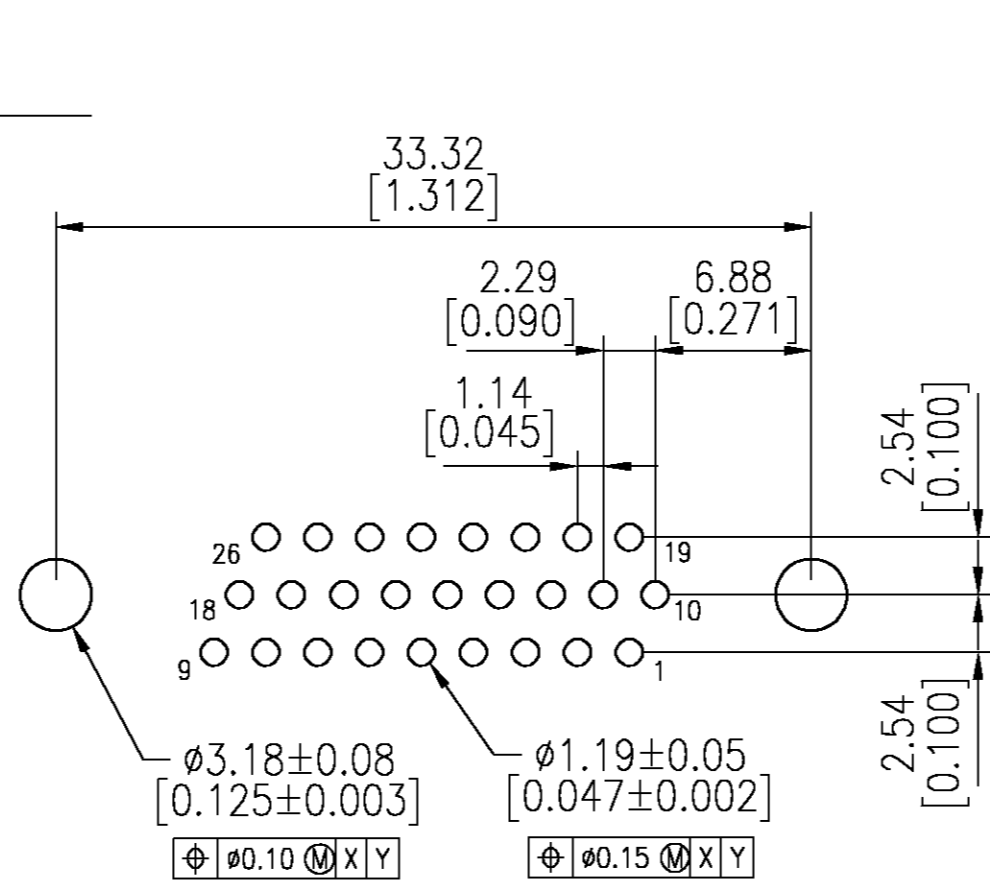
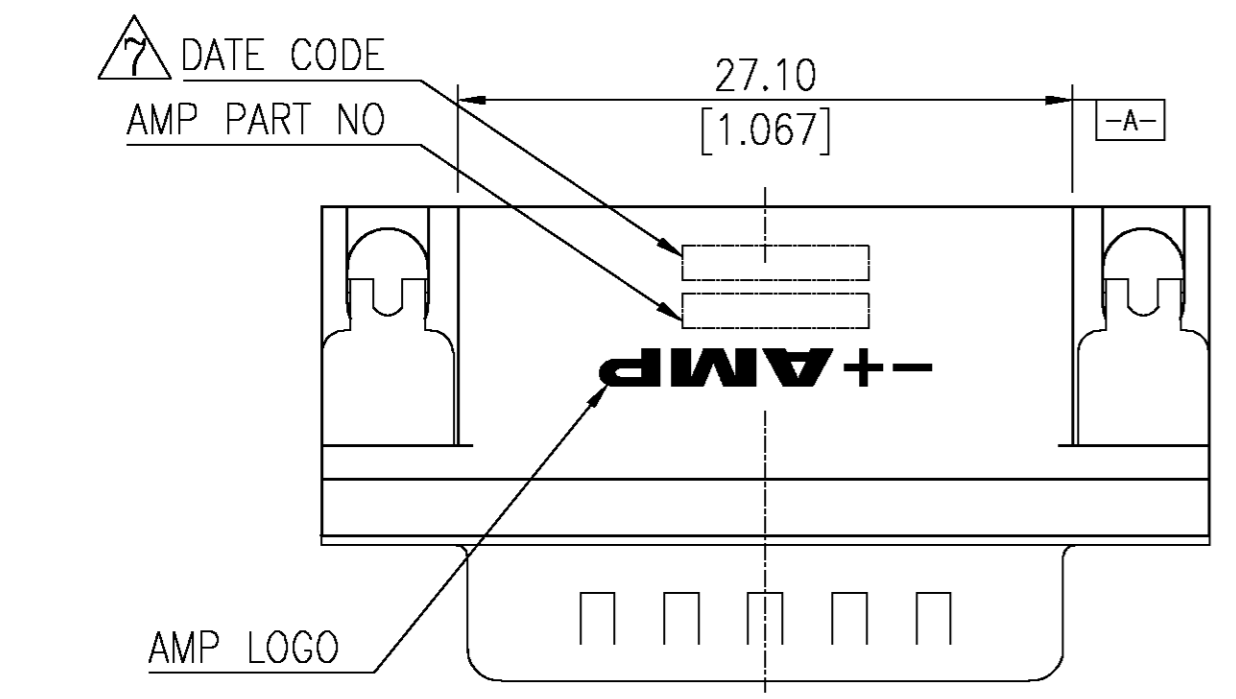
THIS DRAWING IS UNPUBLISHED. RELEASED FOR PUBLICATION
 © COPYRIGHT BY TYCO ELECTRONICS CORPORATION. ALL RIGHTS RESERVED.

LOC		DIST		REVISIONS			
GP	00	P	LTR	DESCRIPTION	DATE	DWN	APVD
		L		REVISED PER EC OS13-0175-03	05JUN03	JG	CC

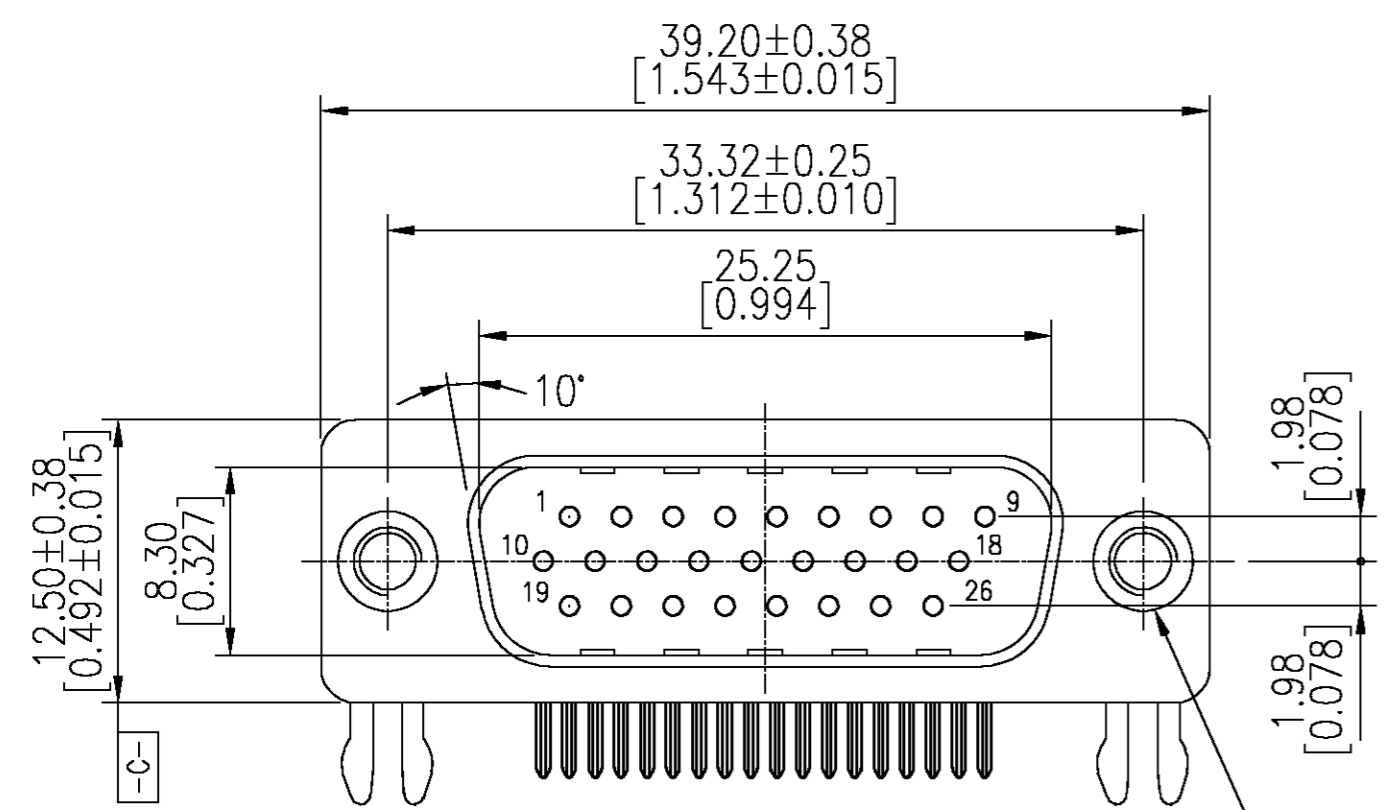
MATERIAL:

- Housing: PBT , 30 % G.F polyester, Black.
(UL 94V-0 Rated)
- Contact: Brass.
- Contact Plated: Gold Plated over 50u" Nickel underplated.
- Solder Tail: Tin/Lead Plated 120u" over 50u" Nickel underplated.
- Shell: Steel, Nickel Plated.
- Boardlock: Brass, Tin Plated 100u"
- Four digit date code in this format.

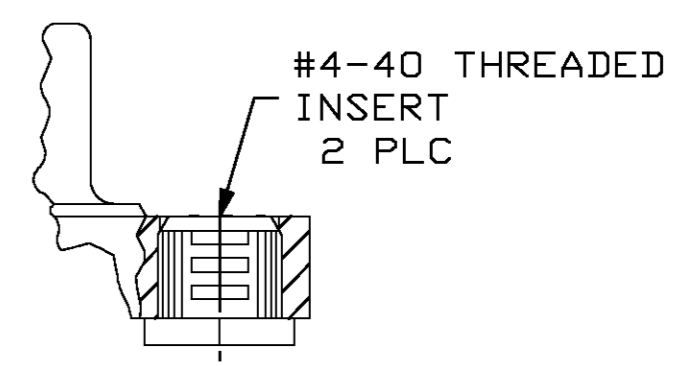
01	45
Year	Manufacturing Week
- Solder Tail: Tin Plated 120u" over 50u" Nickel underplated.



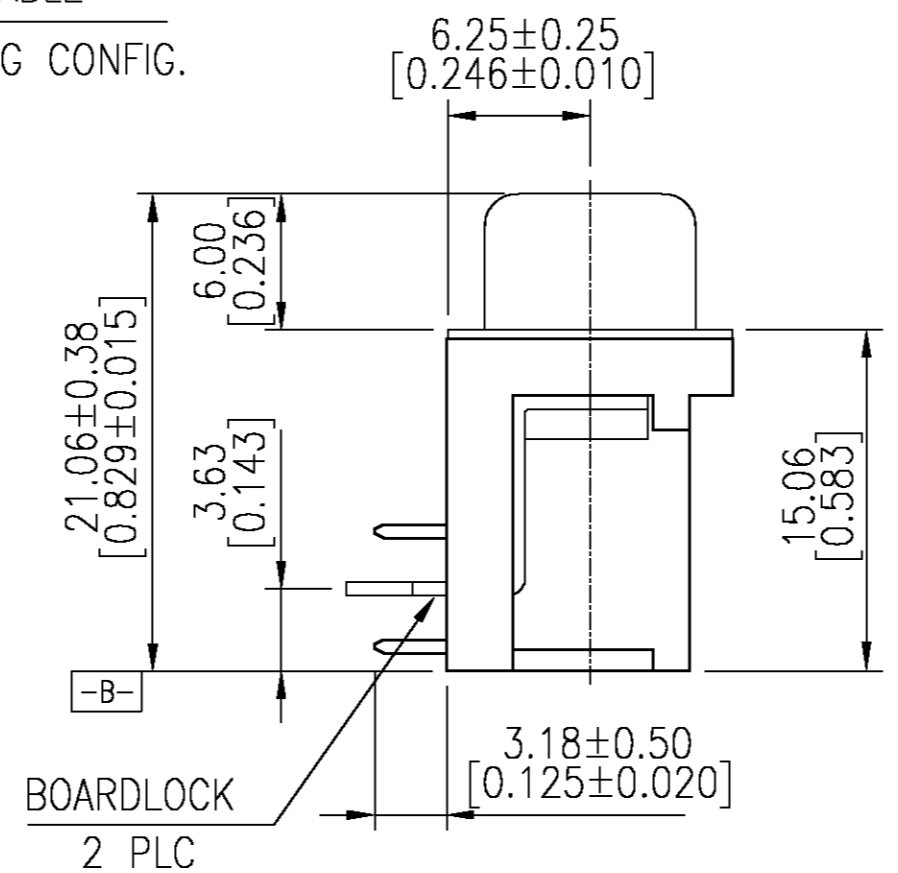
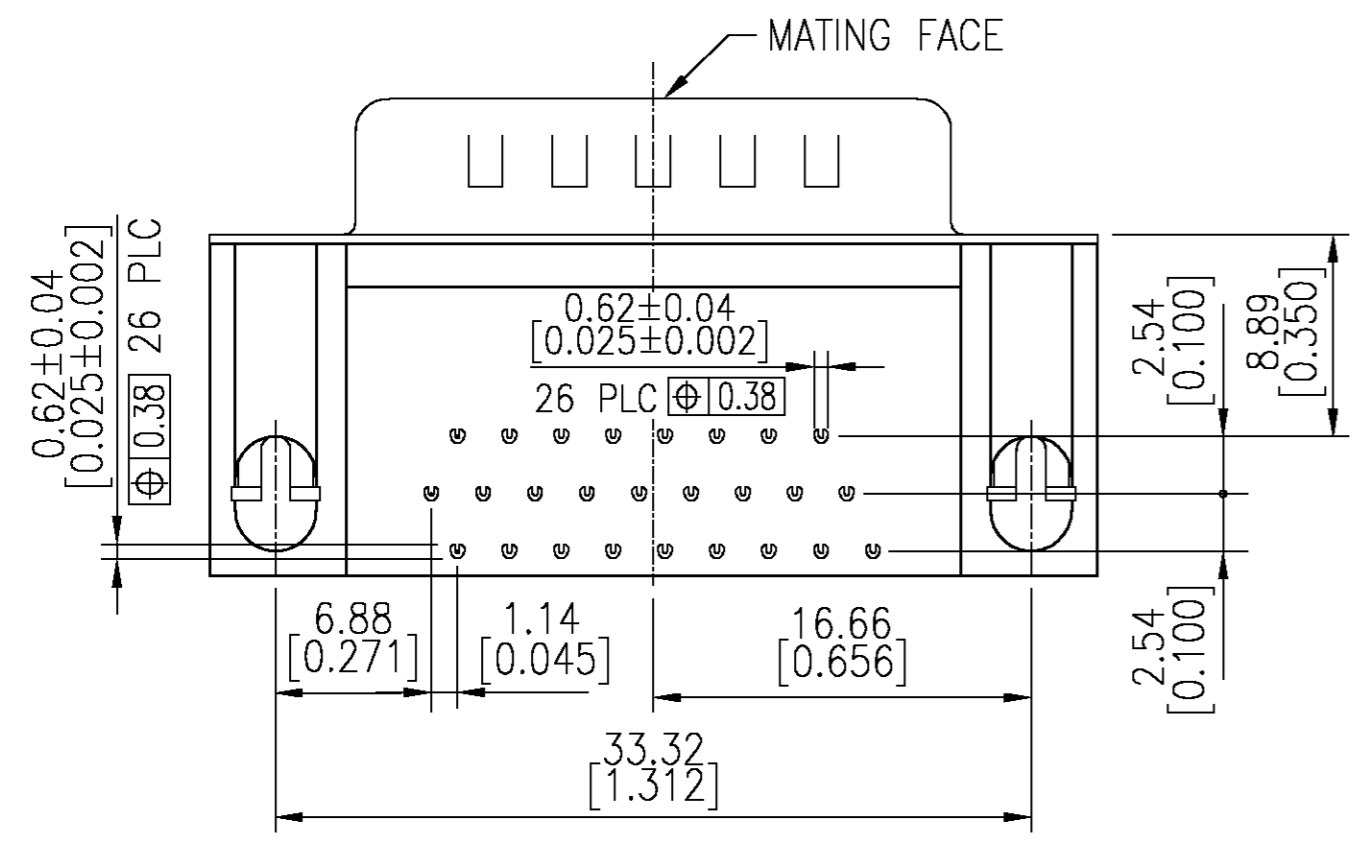
RECOMMENDED PCB LAYOUT



SEE TABLE FOR MOUNTING CONFIG.



Detail A



Tray	Detail A	8	30 μ"	6-749769-7
Tray	Detail A	4	Gold flash	749769-3
Tray	Detail A	4	15 μ"	749769-2
Tray	Detail A	4	30 μ"	749769-1
Packaging	Mounting Flange Config		Contact Finish	AMP Part NO

THIS DRAWING IS A CONTROLLED DOCUMENT.		DWN J.BURWELL 03MAY02	Tyco Electronics Corporation	
DIMENSIONS: MM		CHK C.CASH 03MAY02	APVD - NAME	
TOLERANCES UNLESS OTHERWISE SPECIFIED:		PRODUCT SPEC -	AMPLIMITE HD-22	
0 PLC ± -		APPLICATION SPEC -	26 POS PLUG, RIGHT ANGLE	
1 PLC ± 0.30		WEIGHT -	SIZE A2	CAGE CODE 00779
2 PLC ± 0.20		FINISH -	DRAWING NO C=749769	RESTRICTED TO -
3 PLC ± 0.10			SCALE 4:1	SHEET 1 OF 1
4 PLC ± -				REV L
ANGLES ± 2'				
MATERIAL -		CUSTOMER DRAWING		