

## 74F125 Quad Buffer (3-STATE)

### Features

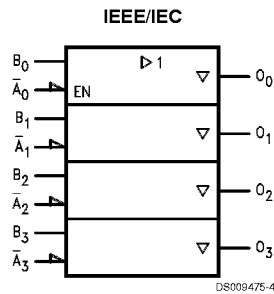
- High impedance base inputs for reduced loading

### Ordering Code:

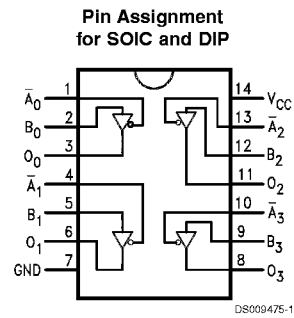
Commercial	Package Number	Package Description
74F125PC	N14A	14-Lead (0.300" Wide) Molded Dual-In-Line
74F125SC (Note 1)	M14A	14-Lead (0.150" Wide) Molded Small Outline, JEDEC
74F125SJ (Note 1)	M14D	14-Lead (0.300" Wide) Molded Small Outline, EIAJ

Note 1: Devices also available in 13" reel. Use suffix = SCX and SJX.

### Logic Symbol



### Connection Diagram



## Unit Loading/Fan Out

Pin Names	Description	74F	
		U.L. HIGH/LOW	Input $I_{IH}/I_{IL}$ Output $I_{OH}/I_{OL}$
$\bar{A}_n, B_n$	Inputs	1.0/0.033	20 $\mu\text{A}$ /-20 $\mu\text{A}$
$O_n$	Outputs	600/106.6 (80)	-12 mA/64 mA (48 mA)

## Function Table

Inputs		Output
$\bar{A}_n$	$B_n$	O
L	L	L
L	H	H
H	X	Z

H = High Voltage Level  
 L = LOW Voltage Level  
 Z = High Impedance  
 X = Immaterial

## Absolute Maximum Ratings (Note 2)

Storage Temperature	-65°C to +150°C
Ambient Temperature under Bias	-55°C to +125°C
Junction Temperature under Bias	-55°C to +175°C
Plastic	-55°C to +150°C
V <sub>CC</sub> Pin Potential to Ground Pin	-0.5V to +7.0V
Input Voltage (Note 3)	-0.5V to +7.0V
Input Current (Note 3)	-30 mA to +5.0 mA
Voltage Applied to Output in HIGH State (with V <sub>CC</sub> = 0V)	
Standard Output	-0.5V to V <sub>CC</sub>
3-STATE Output	-0.5V to +5.5V
Current Applied to Output in LOW State (Max)	twice the rated I <sub>OL</sub> (mA)

## Recommended Operating Conditions

Free Air Ambient Temperature	Commercial	0°C to +70°C
Supply Voltage	Commercial	+4.5V to +5.5V

**Note 2:** Absolute maximum ratings are values beyond which the device may be damaged or have its useful life impaired. Functional operation under these conditions is not implied.

**Note 3:** Either voltage limit or current limit is sufficient to protect inputs.

## DC Electrical Characteristics

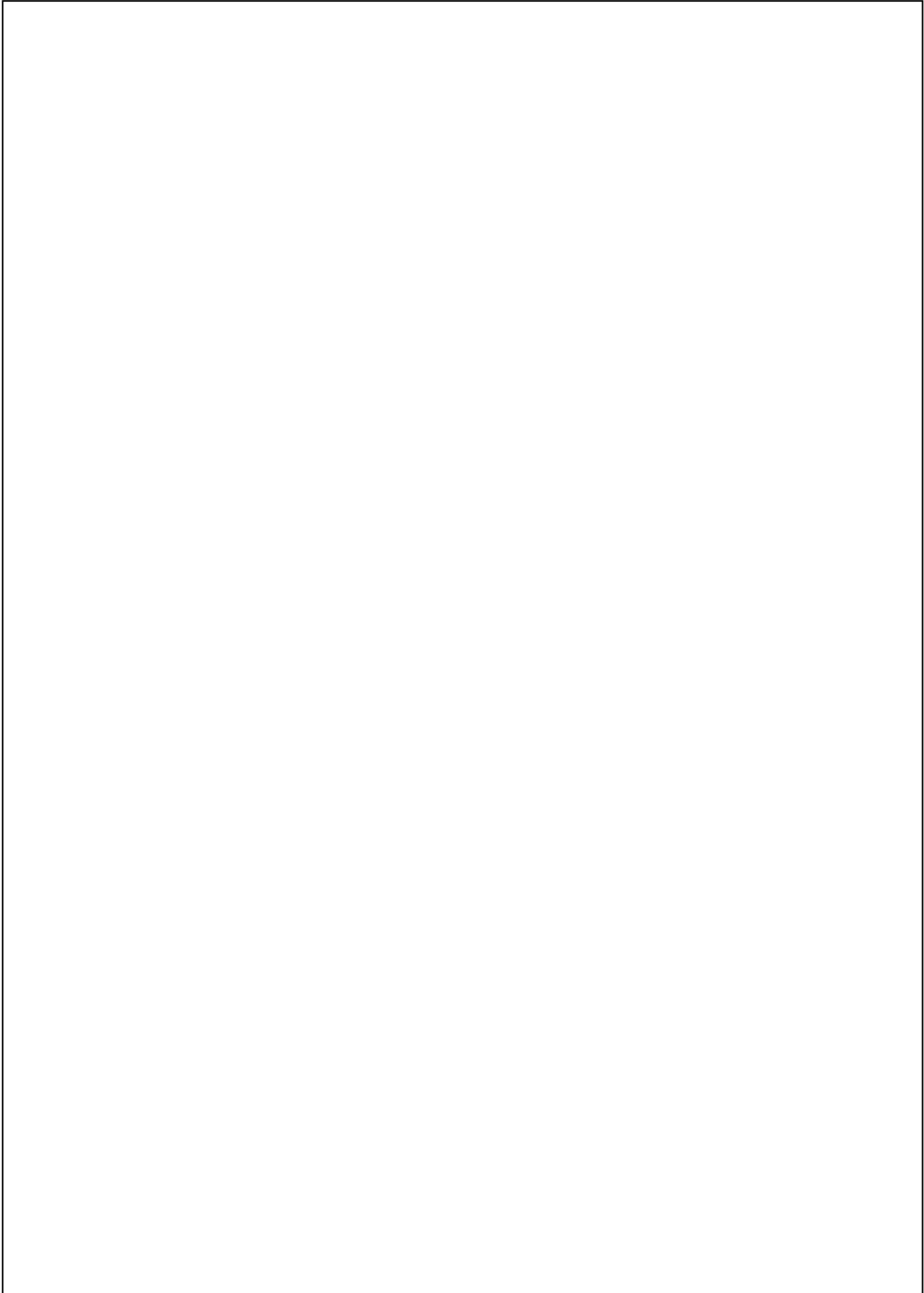
Symbol	Parameter	74F			Units	V <sub>CC</sub>	Conditions
		Min	Typ	Max			
V <sub>IH</sub>	Input HIGH Voltage	2.0			V		Recognized as a HIGH Signal
V <sub>IL</sub>	Input LOW Voltage			0.8	V		Recognized as a LOW Signal
V <sub>CD</sub>	Input Clamp Diode Voltage			-1.2	V	Min	I <sub>IN</sub> = -18 mA
V <sub>OH</sub>	Output HIGH Voltage	74F 10% V <sub>CC</sub>	2.4		V	Min	I <sub>OH</sub> = -3 mA
		74F 10% V <sub>CC</sub>	2.0				I <sub>OH</sub> = -12 mA
		74F 5% V <sub>CC</sub>	2.7				I <sub>OH</sub> = -3 mA
		74F 5% V <sub>CC</sub>	2.0				I <sub>OH</sub> = -15 mA
V <sub>OL</sub>	Output LOW Voltage			0.55	V	Min	I <sub>OL</sub> = 64 mA
I <sub>IH</sub>	Input HIGH Current			20	μA	Max	V <sub>IN</sub> = 2.7V
I <sub>BVI</sub>	Input HIGH Current Breakdown Test			100	μA	0.0V	V <sub>IN</sub> = 7.0V
I <sub>IL</sub>	Input LOW Current			-20.0	μA	Max	V <sub>IN</sub> = 0.5V
I <sub>OZH</sub>	Output Leakage Current			50	μA	Max	V <sub>OUT</sub> = 2.7V
I <sub>OZL</sub>	Output Leakage Current			-50	μA	Max	V <sub>OUT</sub> = 0.5V
I <sub>OS</sub>	Output Short-Circuit Current	-100		-225	mA	Max	V <sub>OUT</sub> = 0V
I <sub>CEX</sub>	Output HIGH Leakage Current			250	μA	Max	V <sub>OUT</sub> = V <sub>CC</sub>
I <sub>ZZ</sub>	Buss Drainage Test			500	μA	0.0V	V <sub>OUT</sub> = 5.25V
I <sub>CCH</sub>	Power Supply Current		18.5	24.0	mA	Max	V <sub>O</sub> = HIGH
I <sub>CCL</sub>	Power Supply Current		31.7	40.0	mA	Max	V <sub>O</sub> = LOW
I <sub>CCZ</sub>	Power Supply Current		27.6	35.0	mA	Max	V <sub>O</sub> = HIGH Z

## AC Electrical Characteristics

Symbol	Parameter	74F			74F		Units
		T <sub>A</sub> = +25°C V <sub>CC</sub> = +5.0V C <sub>L</sub> = 50 pF			T <sub>A</sub> , V <sub>CC</sub> = Com C <sub>L</sub> = 50 pF		
		Min	Typ	Max	Min	Max	
t <sub>PLH</sub>	Propagation Delay	2.0	4.0	6.0	2.0	6.5	ns
t <sub>PHL</sub>		3.0	4.6	7.5	3.0	8.0	
t <sub>PZH</sub>	Output Enable Time	3.5	4.7	7.5	3.0	8.5	ns
t <sub>PZL</sub>		3.5	5.3	8.0	3.5	9.0	

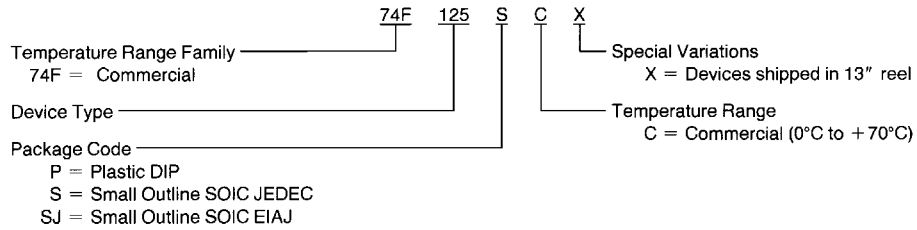
### AC Electrical Characteristics (Continued)

Symbol	Parameter	74F			74F		Units
		T <sub>A</sub> = +25°C V <sub>CC</sub> = +5.0V C <sub>L</sub> = 50 pF			T <sub>A</sub> , V <sub>CC</sub> = Com C <sub>L</sub> = 50 pF		
		Min	Typ	Max	Min	Max	
t <sub>PHZ</sub>	Output Disable Time	1.5	3.9	5.5	1.5	6.0	ns
t <sub>PLZ</sub>		1.5	4.0	6.0	1.5	6.5	



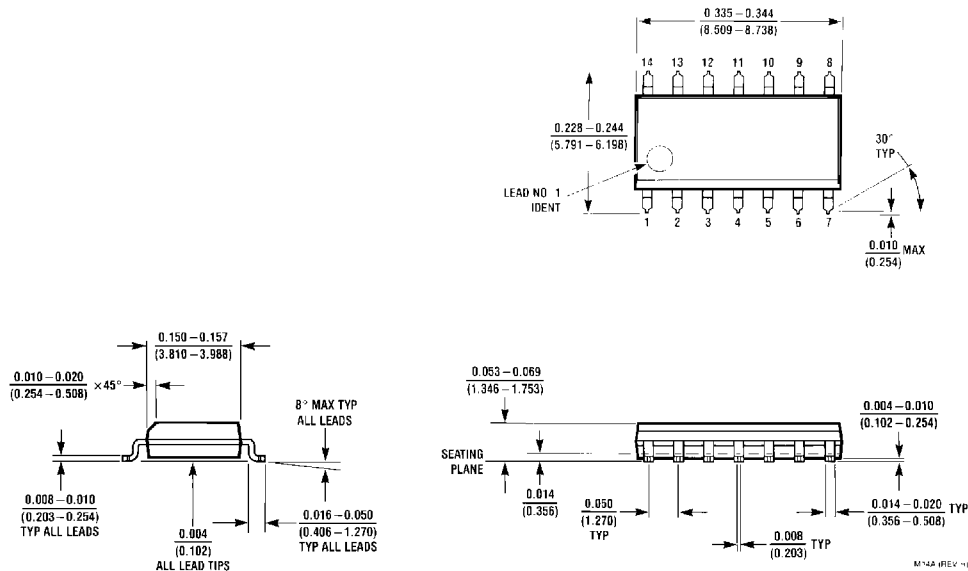
## Ordering Information

The device number is used to form part of a simplified purchasing code where the package type and temperature range are defined as follows:



DS009475-5

## Physical Dimensions inches (millimeters) unless otherwise noted



14-Lead (0.150" Wide) Molded Small Outline Package, JEDEC (S)  
 Package Number M14A



**LIFE SUPPORT POLICY**

FAIRCHILD'S PRODUCTS ARE NOT AUTHORIZED FOR USE AS CRITICAL COMPONENTS IN LIFE SUPPORT DEVICES OR SYSTEMS WITHOUT THE EXPRESS WRITTEN APPROVAL OF THE PRESIDENT OF FAIRCHILD SEMICONDUCTOR CORPORATION. As used herein:

1. Life support devices or systems are devices or systems which, (a) are intended for surgical implant into the body, or (b) support or sustain life, and (c) whose failure to perform when properly used in accordance with instructions for use provided in the labeling, can be reasonably expected to result in a significant injury to the user.
2. A critical component in any component of a life support device or system whose failure to perform can be reasonably expected to cause the failure of the life support device or system, or to affect its safety or effectiveness.

**Fairchild Semiconductor Corporation Americas**  
Customer Response Center  
Tel: 1-888-522-5372

[www.fairchildsemi.com](http://www.fairchildsemi.com)

**Fairchild Semiconductor Europe**  
Fax: +49 (0) 1 80-530 85 86  
Email: [europa.support@nsc.com](mailto:europa.support@nsc.com)  
Deutsch Tel: +49 (0) 8 141-35-0  
English Tel: +44 (0) 1 793-85-68-56  
Italy Tel: +39 (0) 2 57 5631

**Fairchild Semiconductor Hong Kong Ltd.**  
13th Floor, Straight Block,  
Ocean Centre, 5 Canton Rd.  
Tsimshatsui, Kowloon  
Hong Kong  
Tel: +852 2737-7200  
Fax: +852 2314-0061

**National Semiconductor Japan Ltd.**  
Tel: 81-3-5620-6175  
Fax: 81-3-5620-6179