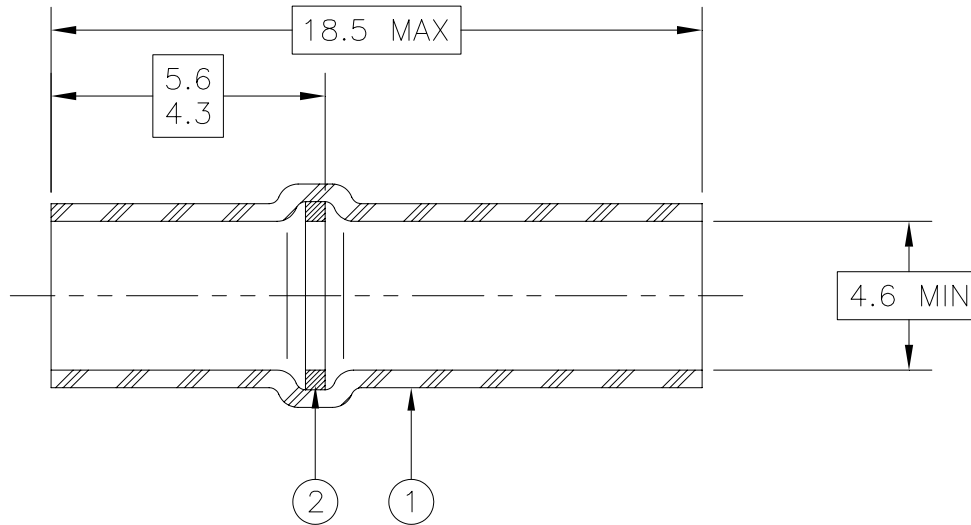


## CUSTOMER DRAWING



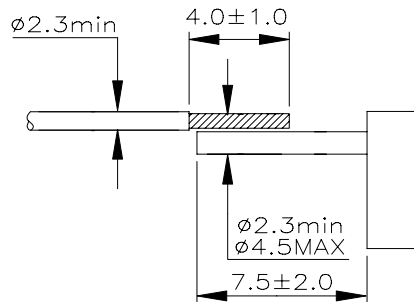
### MATERIALS

1. INSULATION SLEEVE: Heat-shrinkable, transparent clear, radiation cross-linked modified polyolefin.
2. SOLDER PREFORM WITH FLUX:
  - SOLDER: TYPE Sn42Bi58 per ANSI-J-STD-006.
  - FLUX: TYPE ROM1 per ANSI-J-STD-004.

### APPLICATION

1. These controlled soldering devices are designed for termination of a wire to the lead of electrical component or to the terminal of a connector.
2. Temperature range: -55°C to +125°C. For installation procedure and application equipment, consult RPIP-824-00 or H54286.

For best results, prepare the wire as shown:



		Tyco Electronics 300 Constitution Dr Menlo Park, CA 94025, U.S.A.		TITLE: SOLDERSLEEVE ONE STEP WIRE TERMINATOR LOW TEMPERATURE, LEAD FREE		
		Unless otherwise specified dimensions are in millimeters. [Inches dimensions are shown in brackets]		Raychem Devices		DOCUMENT NO.: B-155-9101
TOLERANCES: 0.00 N/A 0.0 N/A 0 N/A	ANGLES: N/A ROUGHNESS IN MICRON	Tyco Electronics reserves the right to amend this drawing at any time. Users should evaluate the suitability of the product for their application.			REV: A	DATE: 8-Jun-07
DRAWN BY: P.TALLY	CAGE CODE: 06090	REPLACES: ---	ECO NUMBER: 07-013637	SCALE: NTS	SIZE: A	SHEET: 1 of 1