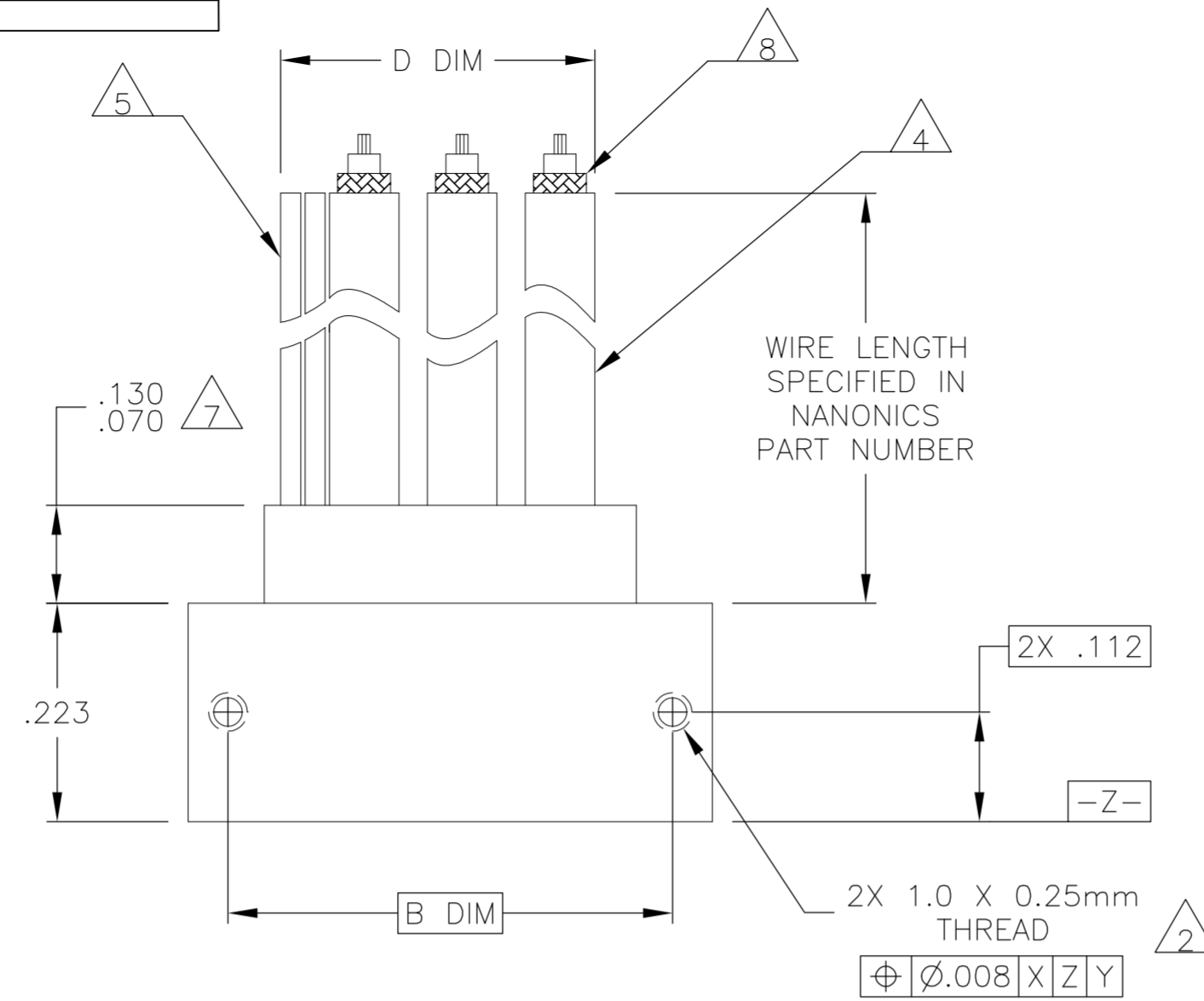
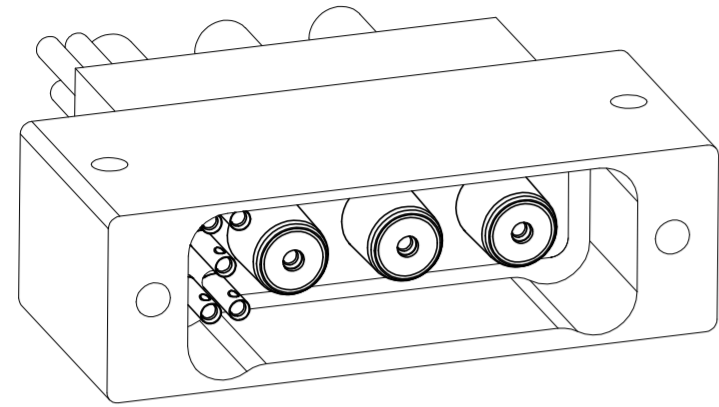
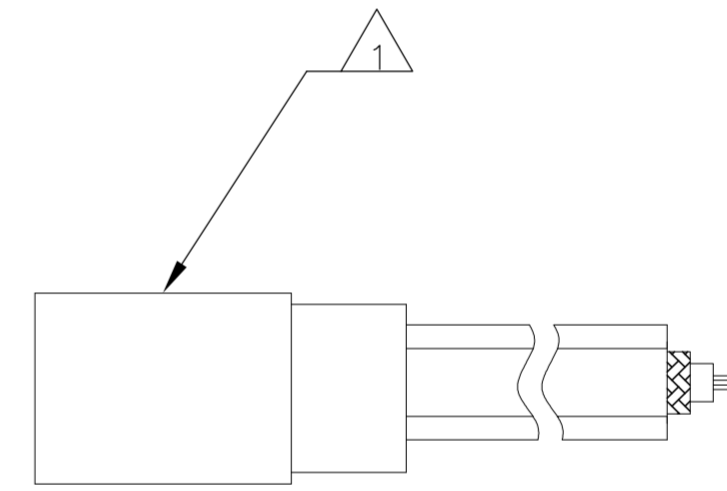
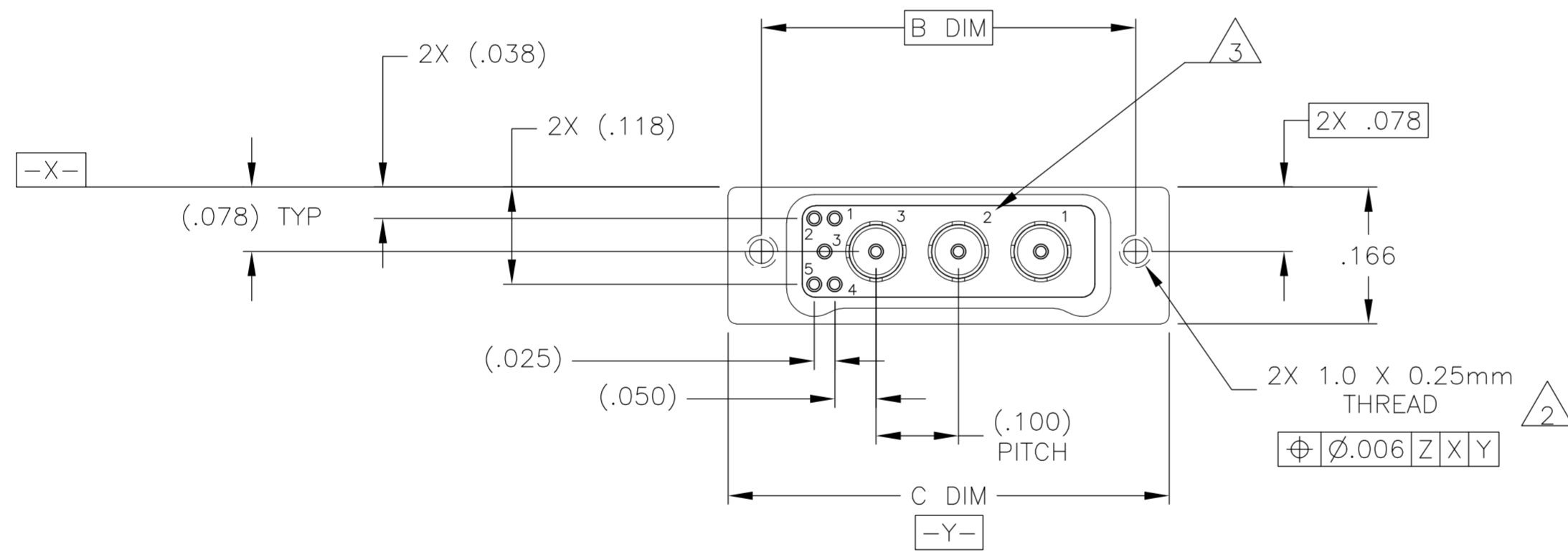


THIS DRAWING IS UNPUBLISHED. RELEASED FOR PUBLICATION
 © COPYRIGHT BY TYCO ELECTRONICS CORPORATION. ALL INTERNATIONAL RIGHTS RESERVED.

LOC	DIST	REVISIONS			
P	LTR	DESCRIPTION	DATE	DWN	APVD
-	-	UPDATE PER ECO-08-028630	11 NOV 08	BJR	MKS



No. COAX POSITIONS	B DIM	C DIM	D DIM
1	.254	.335	.18
2	.354	.435	.28
3	.454	.535	.38
4	.554	.635	.48
5	.654	.735	.58
6	.754	.835	.68
7	.854	.935	.78
8	.954	1.035	.88
9	1.054	1.135	.98



- 1 SHELL MATERIAL: 6061-T6 ALUMINUM, ELECTROLESS NICKEL PLATED PER SAE-AMS-C-26074 OR SAE-AMS-2404E
INSULATOR MATERIAL: LIQUID CRYSTAL POLYMER (LCP) PER MIL-M-24519 OR PER ASTM D5138
- 2 STANDARD 1.0 X 0.25mm MOUNTING AND JACKSCREW THREADS ARE SHOWN FOR REFERENCE ONLY AND MUST BE SPECIFIED IN THE NANONICS PART NUMBER WHEN REQUIRED. 1.2 X 0.25mm THREADS ALSO AVAILABLE.
- 3 CONTACT NUMBERS ARE FOR REFERENCE ONLY AND ARE NOT MARKED ON THE PART.
- 4 THIS CONFIGURATION MAY BE TERMINATED WITH RG-178 50 OHM COAXIAL CABLE, OR OTHER 50 OHM COAXIAL CABLES WITH 30 AWG OR SMALLER CENTER CONDUCTORS. CABLE TYPE AND LENGTH SHALL BE SPECIFIED IN THE NANONICS PART NUMBER.
- 5 THESE POSITIONS SHALL BE TERMINATED WITH 30 AWG, 7 STRAND, TEFLON INSULATED WIRE.
- 6 MOUNTING HARDWARE IS AVAILABLE WITH THIS CONFIGURATION (NOT SHOWN). HARDWARE MUST BE SPECIFIED IN THE NANONICS PART NUMBER. CONSULT TYCO ELECTRONICS FOR DETAILS
- 7 BACKPOTTING STANDARD FOR WIRED COAX ASSEMBLIES.
- 8 STRIPPED COAXES ARE SHOWN FOR VISUAL PURPOSES ONLY. WIRE TERMINATIONS ARE UNSTRIPPED.
- 9 THIS DRAWING PREVIOUSLY IDENTIFIED AS NANONICS 303-0040.

THIS DRAWING IS A CONTROLLED DOCUMENT.		DWN D. RYAN 27 FEB 99	Tyco Electronics Corporation Harrisburg, PA 17105-3608	
DIMENSIONS: INCHES		CHK E. PAULUS 9 JUN 99	NAME RECEPTACLE ASSEMBLY, 1-9 COAX, 50 OHM, 5 SIGNALS, METAL	
TOLERANCES UNLESS OTHERWISE SPECIFIED: 0 PLC ± - 1 PLC ± - 2 PLC ± .010 3 PLC ± .005 4 PLC ± - ANGLES ± 1°		APVD -	PRODUCT SPEC -	RESTRICTED TO -
MATERIAL SEE NOTES		FINISH SEE NOTES	WEIGHT -	SIZE A2
CUSTOMER DRAWING		SCALE 6:1	DRAWING NO 0PJN9	SHEET 1 of 1
			CAGE CODE 1589069	REV G