

Ratings

Voltage: 300 V
 Temperature: -40~105 °C
 Flammability: VW-1

Conductor

Conductor count: 2
 Gauge: 22 AWG 0.33 mm²
 Material: tinned copper strands
 Strand size: $\varnothing 0.127 \times 26$
 Resistance at 20 °C: 59.4 Ω /km max

Insulator

Material: FEP
 Color: red, black
 Diameter: $\varnothing 1.08 \pm 0.10$
 Nominal thickness: 0.13 mm
 Resistance at 20 °C: 10 M Ω /km min

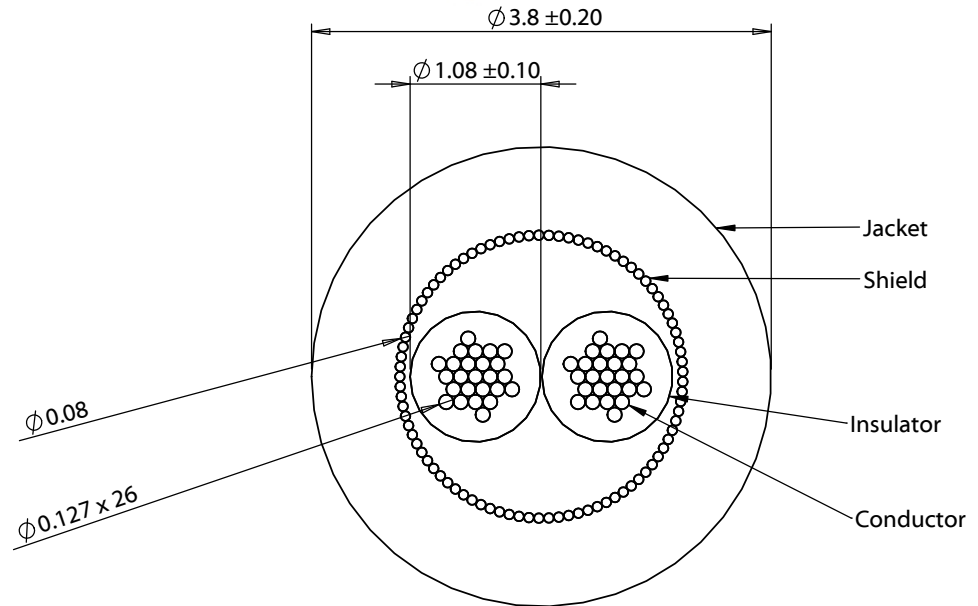
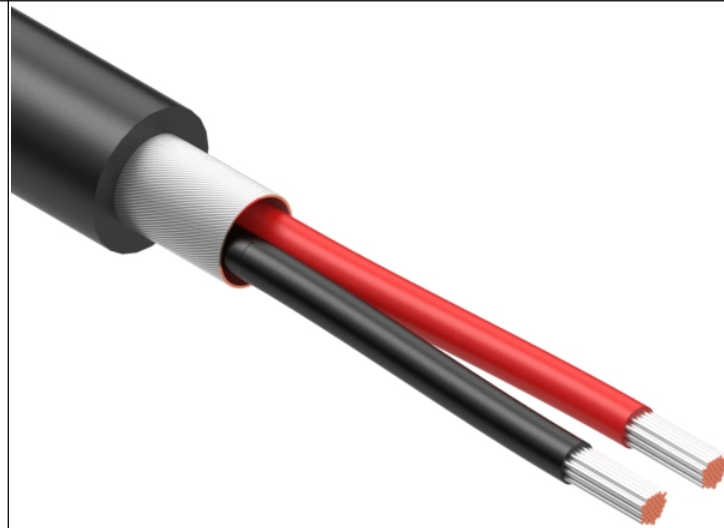
Shield

Material: tinned copper strands
 Strand size: $\varnothing 0.08$ mm, 85% min coverage

Outer jacket

Material: TPE, 78A
 Color: black, matte
 Diameter: $\varnothing 3.8 \pm 0.20$
 Nominal thickness: 0.6 mm

Wire marking: E339579 UL AWM STYLE 21296 22 AWG 105°C
 300V VW-1 --- cUL AWM I A 105°C 300V FT1 TENSILITY DGT



Revision:	Date:	Description:
A	10/26/2021	Initial release

Prepared: **MP**
Digitally signed by MP
 Date: 2021.11.01
 16:16:28 -0700'

Verified: **JD**
Digitally signed by JD
 Date: 2021.11.03
 10:03:47 -0700'

Dimensions are in millimeters.
 Tolerances:
 X: ± 0.5 mm
 X.X: ± 0.3 mm
 X.XX: ± 0.05 mm

Notes:

RoHS compliant
 Phthalate free
 Function test: no open, no short circuit, no intermittent

Description:

Wire, 2C TS, 22 AWG, UL 21296, 300V, 105C, 3.8 mm, shielded, VW-1, TPE

TENSILITY

tel 1.541.323.3228 800 877.670.7118
 fax 1.541.323.4202 web tensility.com

Size: Part number:
 A 30-02412

Scale: 16:1



Sheet 1 of 1

5

4

3

2

1