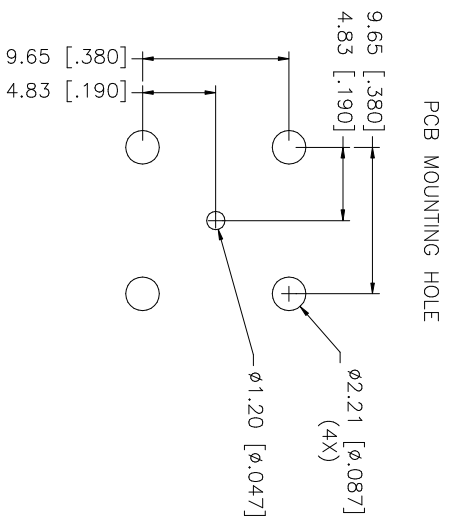
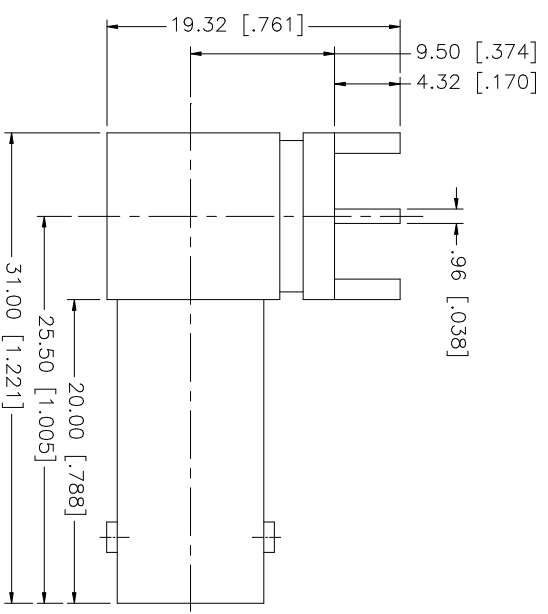
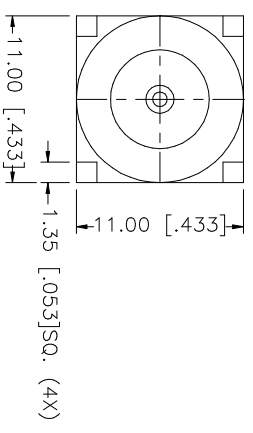


REV.	DATE	DESCRIPTION
NC	06/10/04	INITIAL RELEASE



QTY	FINISH	MATERIAL	DESCRIPTION
1	GOLD	PHOS. BRONZE	CONTACT PIN
2	NATURAL	TEFLON	INSULATOR
1	NICKEL	BRASS	HOUSING/BODY

UNLESS OTHERWISE SPECIFIED, DIMENSIONS ARE IN MILLIMETERS. DIMENSIONS IN INCHES ARE IN INCHES AND FOR CUSTOMER REFERENCE ONLY.	UNLESS OTHERWISE SPECIFIED, DIMENSIONS ARE IN MILLIMETERS. DIMENSIONS IN INCHES ARE IN INCHES AND FOR CUSTOMER REFERENCE ONLY.
TOLERANCES FOR MILLIMETERS ARE: 0.5 - 8mm ± 0.20mm 8 - 30mm ± 0.40mm 30 - 120mm ± 0.50mm	TOLERANCES FOR INCHES ARE: .020 - .315 = ± 0.007" .315 - 1.180 = ± 0.015" 1.180 - 4.724 = ± 0.020"

APPROVALS	DATE
DRAWN G.R.S.	06/10/04
CHECKED	
ISSUED	
SHEET 1 OF 1	

PART DESCRIPTION	PART NO.	DWG. NO.	REV.	SIZE	SCALE
<b>Amphenol Connex</b> BNC R/A PCB MOUNT JACK (75ohm)	112659-75	112659-75.DWG	NC	A	NA