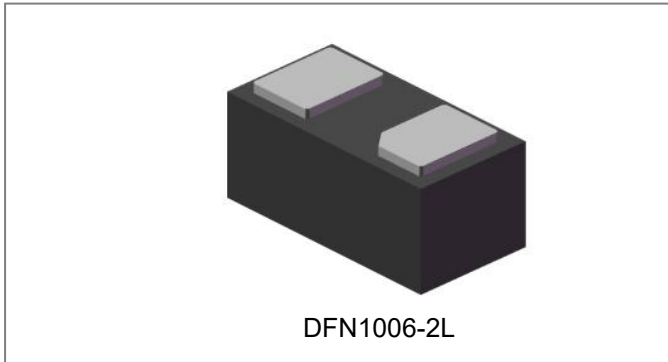


eGuard0551P Ultra Low Capacitance TVS Diode Array



Description

The eGuard0551P is ultra low capacitance TVS arrays designed to protect high speed data interfaces. This series has been specifically designed to protect sensitive components which are connected to high-speed data and transmission lines from over voltage caused by ESD (electrostatic discharge), CDE (Cable Discharge Events), and EFT (electrical fast transients).

The eGuard0551P has a maximum capacitance of 0.50pF . This means it can be used on circuits operating in excess of 5GHz without signal attenuation. They can be used to meet the ESD immunity requirements of IEC 61000-4-2, Level 4 ($\pm 15\text{kV}$ air, $\pm 8\text{kV}$ contact discharge).

These devices are in a small 2-pin DFN1006 package. They are designed for use in applications such as cellular phones and digital video interfaces.

Circuit Diagram



Applications

- Display Port
- MHL/MDDI
- LVDS Interfaces
- USB 2.0
- eSATA Interfaces

Features

- Transient protection for high-speed data lines to IEC 61000-4-2 (ESD) $\pm 17\text{kV}$ (air), $\pm 17\text{kV}$ (contact)
- IEC 61000-4-4 (EFT) 40A (5/50ns)
- Ultra-small package(1.0×0.6×0.5mm)
- Protects one data or I/O line
- Low capacitance (0.5pF)
- Low ESD clamping voltage
- Low operating voltage: 5.0V
- This is a Halogen Free Device

Mechanical Characteristics

- DFN1006-2L package
- RoHS/WEEE Compliant
- Molding compound flammability rating: UL 94V-0
- Packaging: Tape and Reel per EIA 481

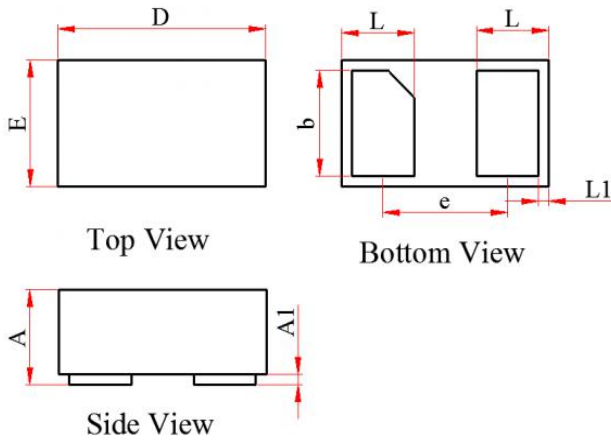
Maximum Ratings

Characteristics	Symbol	Max.	Units
Peak Pulse Power (tp=8/20us)	P _{PK}	80	Watts
Peak Pulse Current (tp=8/20us)	I _{PP}	4	A
ESD per IEC61000-4-2 (air) ESD per IEC61000-4-2 (contact)	V _{ESD}	±17 ±17	KV
Operating Temperature	T _J	-55 to +125	°C
Storage Temperature	T _{STG}	-55 to +150	°C

Electrical Characteristics(T=25°C unless otherwise specified)

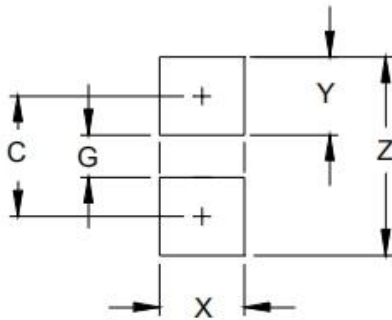
Characteristics	Symbol	Condition	Min.	Typ.	Max.	Units
Reverse Stand-Off Voltage	V _{RWM}		-	-	5	V
Reverse Breakdown Voltage	V _{BR}	@ I _f =1mA	6	-	11	V
Reverse Leakage Current	I _R	@V _{RWM} = 5V, T = 25 °C	-	-	0.1	µA
Clamping Voltage	V _C	@I _{PP} = 1A, tp=8/20µs	-	-	15	V
Clamping Voltage	V _C	@I _{PP} = 4A, tp=8/20µs	-	-	20	V
Junction Capacitance	C _j	@V _R = 0V, f _{SIG} = 1MHz	-	-	0.5	pF

Mechanical Dimensions



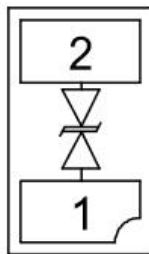
Symbol	Dimension In Millimeters			Dimension In Inches		
	Normal	Min	Max	Normal	Min	Max
A	--	0.400	0.500	--	0.016	0.020
Al	--	--	0.075	--	--	0.003
D	1.000	0.950	1.050	0.039	0.037	0.041
E	0.600	0.550	0.650	0.024	0.022	0.026
b	0.500	0.450	0.550	0.020	0.018	0.022
L	0.350	0.300	0.400	0.014	0.012	0.016
L1	0.050 REF			0.002 REF		
e	0.600 BSC			0.024 BSC		

Recommended foot print for the layout



SYMBOL	Inches	Millimeters
C	0.033	0.85
G	0.012	0.30
X	0.024	0.60
Y	0.022	0.55
Z	0.055	1.40

Pin Configuration



Marking Diagram



Ordering Information:

Device	Package	Shipping
eGuard0551P	DFN1006-2L	10000 pcs/reel

For information on tape and reel specifications, including part orientation and tape sizes, please refer to our tape and reel packaging specification.

- China - Germany - Korea - Singapore - United States •
- <http://www.smc-diodes.com> - sales@smc-diodes.com •

DISCLAIMER:

1- The information given herein, including the specifications and dimensions, is subject to change without prior notice to improve product characteristics. Before ordering, purchasers are advised to contact the SMC Diode Solutions sales department for the latest version of the datasheet(s).

2- In cases where extremely high reliability is required (such as use in nuclear power control, aerospace and aviation, traffic equipment, medical equipment, and safety equipment), safety should be ensured by using semiconductor devices that feature assured safety or by means of users' fail-safe precautions or other arrangement.

3- In no event shall SMC Diode Solutions be liable for any damages that may result from an accident or any other cause during operation of the user's units according to the datasheet(s). SMC Diode Solution assumes no responsibility for any intellectual property claims or any other problems that may result from applications of information, products or circuits described in the datasheets.

4- In no event shall SMC Diode Solutions be liable for any failure in a semiconductor device or any secondary damage resulting from use at a value exceeding the absolute maximum rating.

5- No license is granted by the datasheet(s) under any patents or other rights of any third party or SMC Diode Solutions.

6- The datasheet(s) may not be reproduced or duplicated, in any form, in whole or part, without the expressed written permission of SMC Diode Solutions.

7- The products (technologies) described in the datasheet(s) are not to be provided to any party whose purpose in their application will hinder maintenance of international peace and safety nor are they to be applied to that purpose by their direct purchasers or any third party. When exporting these products (technologies), the necessary procedures are to be taken in accordance with related laws and regulations..