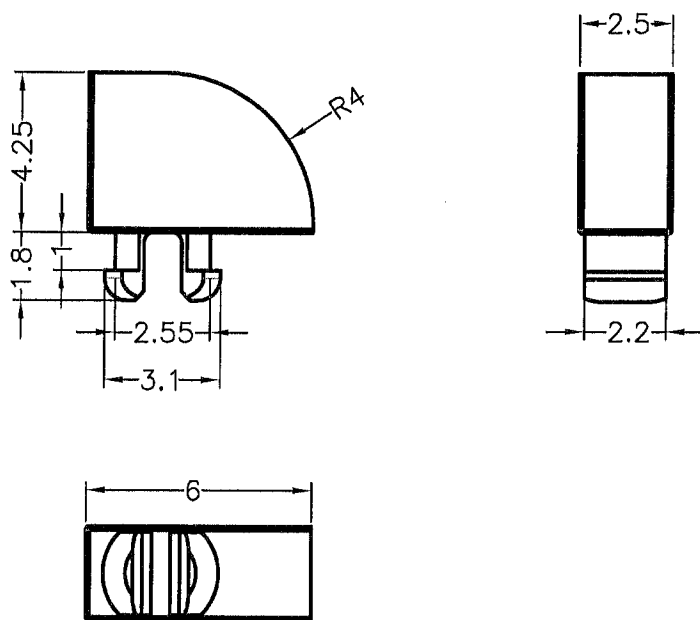



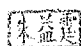
DIM.	TOL.
L ≤ 10	±0.2
10 < L ≤ 30	±0.3
30 < L ≤ 50	±0.5
50 < L ≤ 100	±0.7
100 < L ≤ 250	±1.2
ABOVE 250	±1.5

REVISIONS			
REV	DESCRIPTION	DATE	BY



MOUNTING HOLE  $\phi 2.6\text{mm}$   
 CHASSIS THICKNESS 0.9mm

NOTE: All measurement does not include gate which raises under 0.3mm.

 康揚企業股份有限公司 KANG YANG HARDWARE ENTERPRISE CO., LTD. 康揚塑膠(東莞)有限公司 KANG YANG PLASTIC(DONG GUAN) CO., LTD. ISO 9001 ISO 14001 QC 080000 康哲電腦配件(吳江)有限公司 KANG CHE COMPUTER COMPONENTS(WUJIANG) CO., LTD.	TITLE		LIGHT PIPE		SPEC. DWG.		
	MATERIAL		PC UL94V-2		DATE		2012.08.31
	FINISH				DRAWN		ALBERT
	COLOR		CLEAR		CHECK		
PART NUMBER		DRAWING NUMBER		UNLESS OTHERWISE SPECIFIED TOLERANCE		APPROVED	
LEM-145		LEM-145		SEE ABOVE		Kang	
SIZE	SCALE	UNIT	REV				
A4	4:1	mm	A				