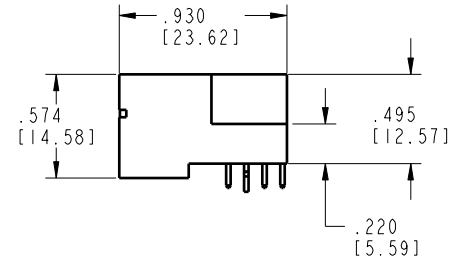
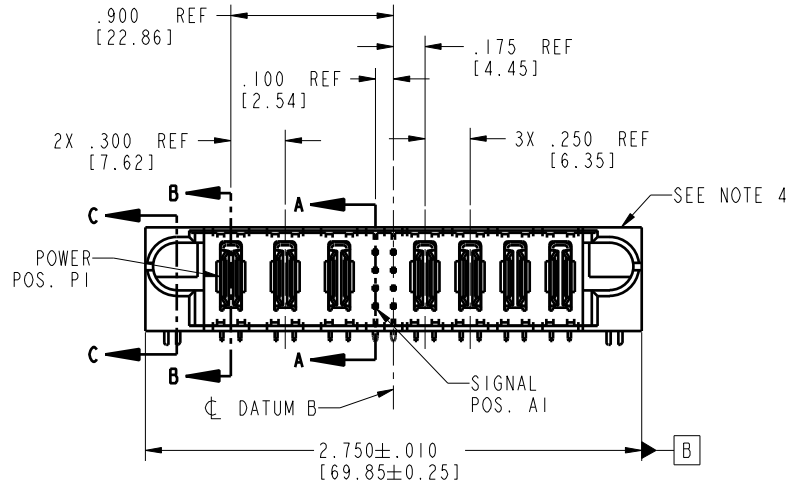


Tous droits strictement réservés. Reproduction ou communication à des tiers interdite sous quelque forme que ce soit sans autorisation écrite du propriétaire. Propriété de c FCI. Droits de reproduction FCI.



All rights strictly reserved. Reproduction or issue to third parties in any form whatsoever is not permitted without written authority from the proprietor. Property of FCI. Copyright FCI.

PRODUCT NO.	ROWS	POWER			SIG	POWER				E2	
		E1	P1	P2	P3	1 2	P4	P5	P6		P7
51939-149-- NOTE 3	D C B A	HA	PA	PA	PA	SIG	PA	PA	PA	PA	HA



CODE	DIM "M" MATING LENGTH	CONTACT TYPE
E	.220 [5.59]	SIGNAL
R	.270 [6.86]	SIGNAL
S	.270 [6.86]	SIGNAL
T	.270 [6.86]	SIGNAL
U	.270 [6.86]	SIGNAL
PA	N/A [N/A]	POWER
HA	N/A [N/A]	HOLD-DOWN

mat'l code				SEE NOTE 2		tolerances unless otherwise specified		CUSTOMER	
lir	ecr no.	dr	date	linear	.XX±.01/0.X±0.3	COPY		A FCI www.fciconnect.com	
A	V04-1111	TAB	11/15/04		.XXX±.005/0.XX±0.13	projection		title 3ACP + 8S + 4P	
B	DG06-0013	RYAN	01/27/06		.XXX±.002/0.XXX±0.051	INCH/MM		RIGHT ANGLE SOLDER HEADER	
				angles	0°±2°	scale		product family PwrBlade code 213	
				dr	T. BRUNGARD 11/15/04	1:1		size dwg no	
				engr	M. GRAY 11/15/04			A 51939-149	
				chr	M. GRAY 11/15/04			sheet 1 of 4	
				appd	M. GRAY 11/15/04				
sheet index	revision	B	B	B	B				
	sheet	1	2	3	4				

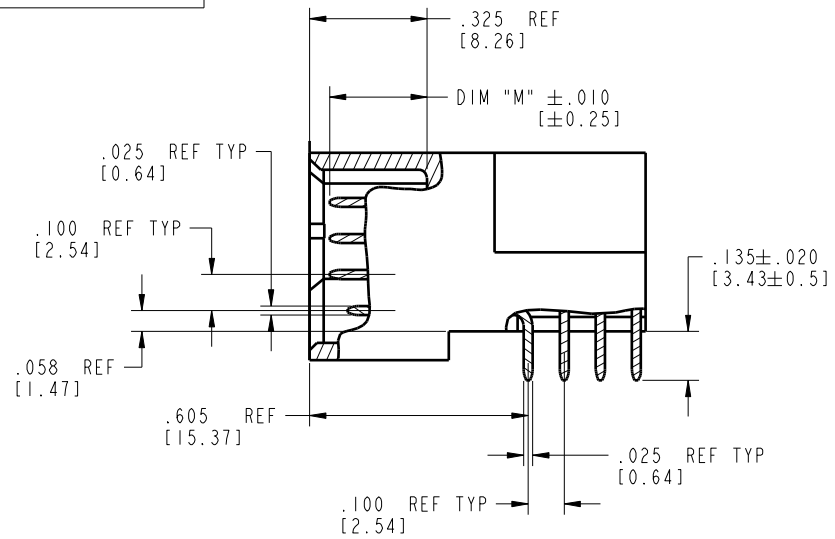
code code 22526

Pro/E

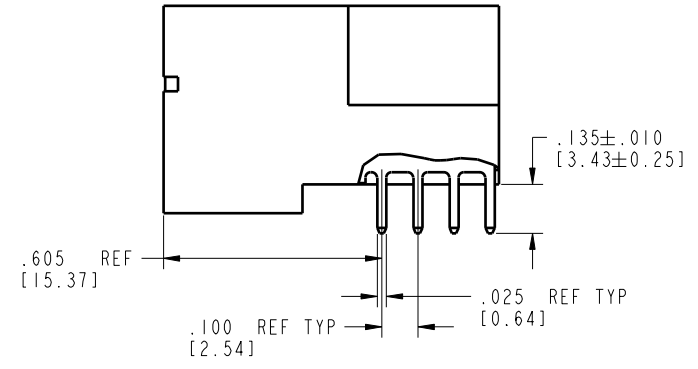
Tous droits strictement réservés. Reproduction ou communication o des liers interdite sous quelque forme que ce soit sans autorisation écrite du propriétaire. Propriété de c FCI. Droits de reproduction FCI.

All rights strictly reserved. Reproduction or issue to third parties in any form whatsoever is not permitted without written authority from the proprietor. Property of FCI. Copyright FCI.

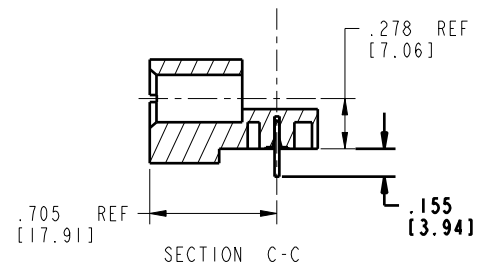
**PRODUCT NUMBER**  
51939-149--  
NOTE 3



BROKEN-OUT SECTION A-A  
SCALE 2:1



BROKEN-OUT SECTION B-B  
SCALE 2:1



SECTION C-C

mat'l code SEE NOTE 2				tolerances unless otherwise specified		CUSTOMER		 www.fciconnect.com	
lir	ecn no.	dr	date	linear	$.XX \pm .01 / 0.X \pm 0.3$ $.XXX \pm .005 / 0.XX \pm 0.13$ $.XXX \pm .002 / 0.XXX \pm 0.051$	COPY	projection		
B				angles	$0^\circ \pm 2^\circ$			3ACP + 8S + 4P	
				dr	T. BRUNGARD 11/15/04	INCH/MM	product family	PwrBlade	
				engr	M. GRAY 11/15/04	scale	size	213	
				chr	M. GRAY 11/15/04	1:1	dwg no	51939-149	
				appd	M. GRAY 11/15/04		A	2 of 4	
sheet index	revision	sheet							

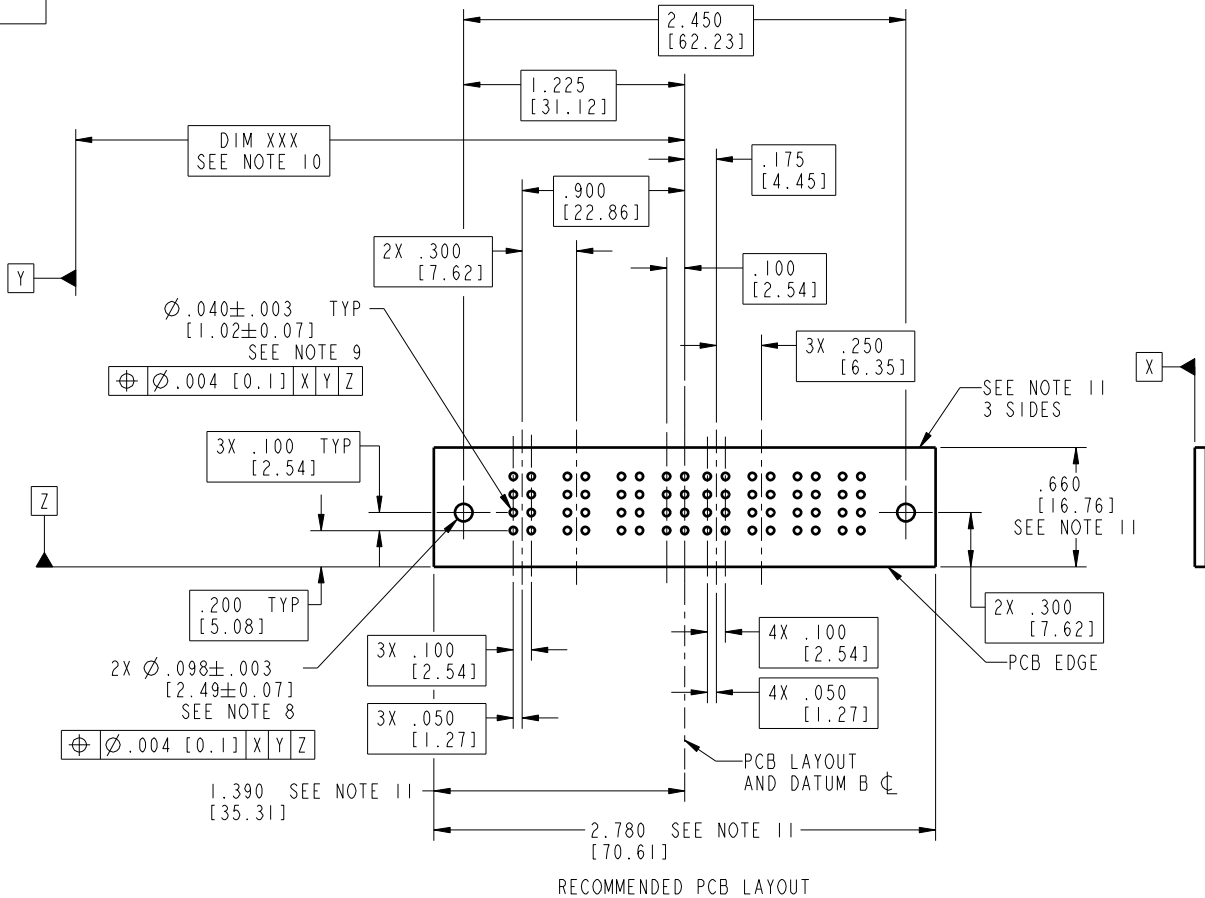
code code 22526

Pro/E

Tous droits strictement réservés. Reproduction ou communication à des tiers interdite sans quelque forme que ce soit sans autorisation écrite du propriétaire. Propriété de c FCI. Droits de reproduction FCI.

All rights strictly reserved. Reproduction or issue to third parties in any form whatsoever is not permitted without written authority from the proprietor. Property of FCI. Copyright FCI.

**PRODUCT NUMBER**  
51939-149\_\_  
NOTE 3



mat'l code SEE NOTE 2				tolerances unless otherwise specified		CUSTOMER		 www.fciconnect.com	
lir	ecn no.	dr	date	linear	$.XX \pm .01 / 0.X \pm 0.3$ $.XXX \pm .005 / 0.XX \pm 0.13$ $.XXX \pm .0020 / 0.XXX \pm 0.051$	projection			
B				angles	$0^\circ \pm 2^\circ$	INCH/MM		product family	PwrBlade
				dr	T. BRUNGARD 11/15/04	scale	1:1	size	A
				enrg	M. GRAY 11/15/04			dwg no	51939-149
				chr	M. GRAY 11/15/04			code	213
				appd	M. GRAY 11/15/04			sheet	3 of 4
sheet index	revision	sheet							

code code 22526

Pro/E

Tous droits strictement réservés. Reproduction ou communication o des liers interdite sous quelque forme que ce soit sans autorisation écrite du propriétaire. Propriété de c FCI. Droits de reproduction FCI.



All rights strictly reserved. Reproduction or issue to third parties in any form whatsoever is not permitted without written authority from the proprietor. Property of FCI. Copyright FCI.

1 | 2

3 |

4

**PRODUCT NUMBER**

51939-149\_\_  
NOTE 3

NOTES:

1. DIMENSIONS AND TOLERANCES ARE IN ACCORDANCE WITH ASME Y14.5M, 1994 UNLESS OTHERWISE SPECIFIED.

CONNECTOR NOTES:

- 2. HOUSING MATERIAL: UL 94 V-0 GLASS FILLED  
HIGH-TEMP THERMOPLASTIC  
POWER CONTACT MATERIAL: COPPER ALLOY  
SIGNAL PIN MATERIAL: COPPER ALLOY
- 3. PLATING:  
51939-149; 51939-149LF; 51939-149GLF SEE PRINT 10064183
- 4. MANUFACTURER'S NAME, P/N, AND DATE CODE TO APPEAR ON THIS SURFACE.
- 5. PRODUCT SPECIFICATION GS-12-149.  
APPLICATION SPECIFICATION BUS-20-067.

6. PACKAGED IN TRAYS.

PCB NOTES:

- 7. ALL HOLE DIAMETERS ARE FINISHED HOLE SIZE.
- 8. MOUNTING HOLES, WHERE APPLICABLE, ARE UNPLATED.
- 9.  $\varnothing .0453 \pm .0010$  [1.151 ± 0.025] DRILLED HOLES PLATED WITH .0003 [0.008] MIN SnPb OVER .001 [0.03] TO .003 [0.08] Cu PLATING TO ACHIEVE  $\varnothing .040 \pm .003$  [1.02 ± .07] HOLE.
- 10. "DIM XXX" TO BE DETERMINED BY THE CUSTOMER.
- 11. CONNECTOR KEEP-OUT ZONE.

mat'l code		SEE NOTE 2		tolerances unless otherwise specified		CUSTOMER		A FCI		www.fciconnect.com	
lir	ecr no.	dr	date	linear	.XX±.01/0.X±0.3	COPY		projection		title	
B					.XXX±.005/0.XX±0.13					3ACP + 8S + 4P	
				angles	.XXX±.002/0.XXX±0.051					RIGHT ANGLE SOLDER HEADER	
				dr	0° ± 2°	INCH/MM		product family		PwrBlade	
				engr	T. BRUNGARD 11/15/04	scale		size		code	
				chr	M. GRAY 11/15/04	1:1		dwg no		213	
				opod	M. GRAY 11/15/04			51939-149		sheet	
sheet index	revision	sheet									4 of 4

A

A

B

B

1 | 2

Pro/E

3 |

code code 22526

4