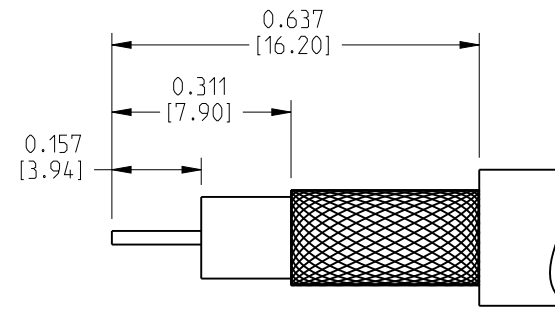


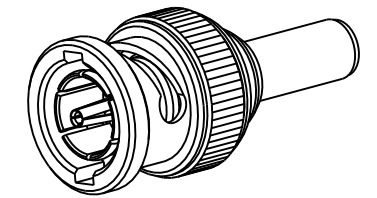
NOTES:

1. CRIMPED FERRULE HEX.CRIMP SIZE 0.178"
2. CRIMPED CONTACT PIN HEX.CRIMP SIZE 0.042"

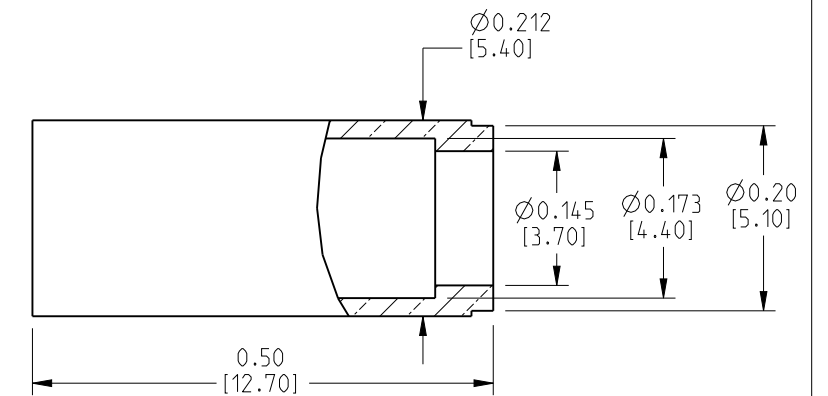
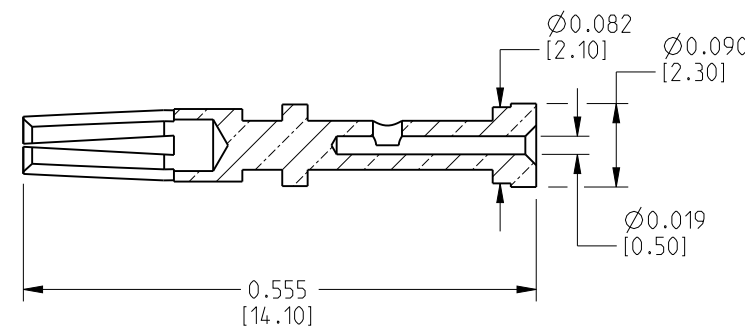
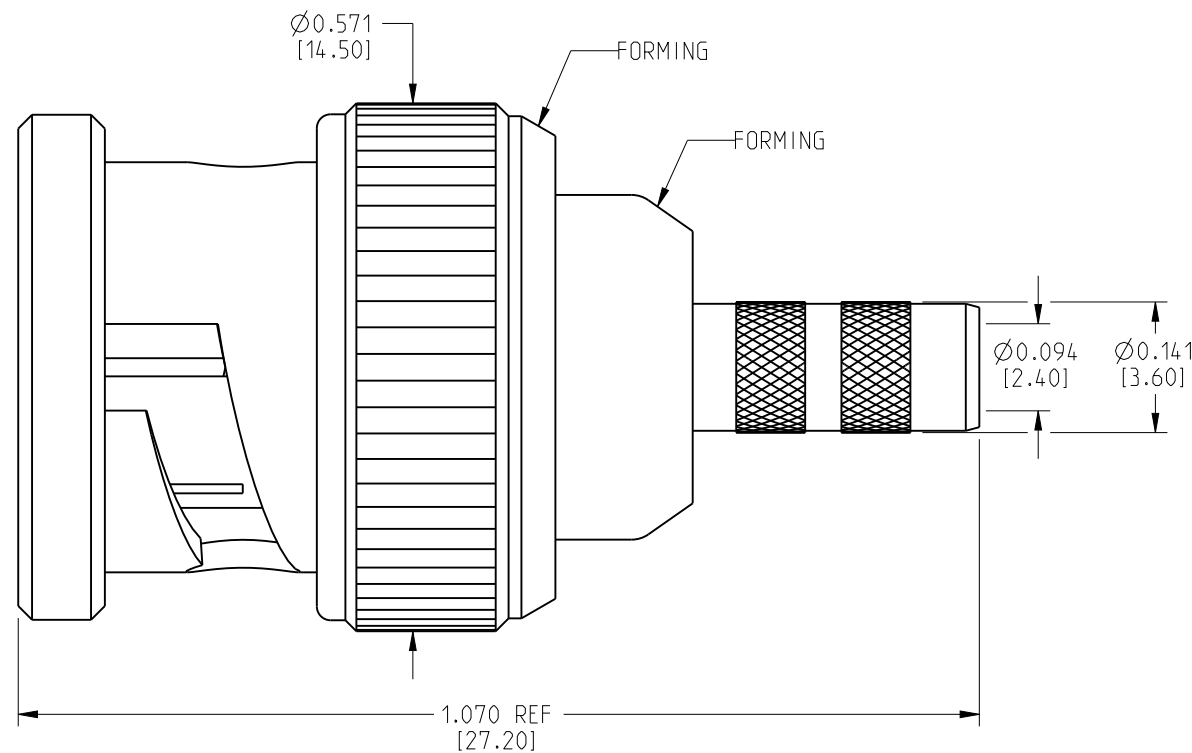
112950RP		REVISIONS			
DRAWING NO.	REV	DESCRIPTION	DATE	ECO	APPR
THIRD ANGLE PROJ.	A	RELEASE TO MFG.	30-Apr-13	--	MB



RECOMMENDED CABLE STRIPPING DIMENSIONS



SCALE 1.500



S.NO	DESCRIPTION	MATERIAL	FINISH	QTY.
10	FERRULE	BRASS	NICKEL	1
9	CONTACT PIN	PHOSPHOR BRONZE	GOLD	1
8	RING	BRASS	NICKEL	1
7	WASHER	SK5	NICKEL	1
6	SPRING	BRASS	NICKEL	1
5	GASKET	RUBBER	RED	1
4	OUTER CONTACT	BRASS	NICKEL	1
3	INSULATOR	PTFE	NATURAL	1
2	BODY	BRASS	NICKEL	1
1	SHELL	BRASS	NICKEL	1

UNLESS OTHERWISE SPECIFIED, DIMENSIONS ARE IN INCHES AND TOLERANCES ARE:
 2 PLACE DECIMAL ±.015 (0,381 mm) 3 PLACE DECIMAL ±.005 (0,127 mm) ANGLES ± 1°

NOTICE - These drawings, specifications, or other data (1) are, and remain the property of Amphenol Corp. (2) must be returned upon request; and (3) are confidential and not to be disclosed to any person other than those to whom they are given by Amphenol Corp. The furnishing of these drawings, specifications, or other data by Amphenol Corp., or to any other person to anyone for any purpose is not to be regarded by implication or otherwise in any manner licensing, granting rights or permitting such holder or any other person to manufacture, use or sell any product, process or design, patented or otherwise, that may in any way be related to or disclosed by said drawings, specifications, or other data.

MATERIAL
SEE BOM TABLE

REFERENCE

DRAWN
MOHAN B DATE
30-Apr-13

ENGINEER
MOHAN B DATE
30-Apr-13

APPROVED DATE

CAD FILE

TITLE
BNC REVERSE POLARITY
CRIMP PLUG
(FOR AT&T 735A CABLE)

Amphenol
Connex

SCALE: 4.8:1 SHEET 1 OF 1

DWG SIZE DRAWING NO. REV
B 112950RP A