

4

3

2

1

THIS DRAWING IS UNPUBLISHED.

RELEASED FOR PUBLICATION

,19

© COPYRIGHT 19

BY AMP INCORPORATED. ALL RIGHTS RESERVED.

LOC

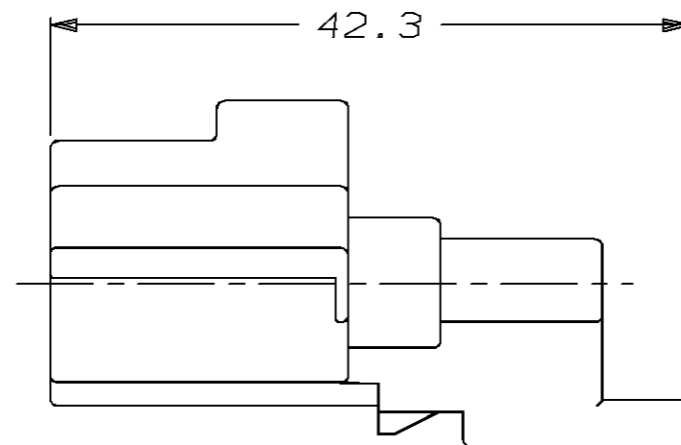
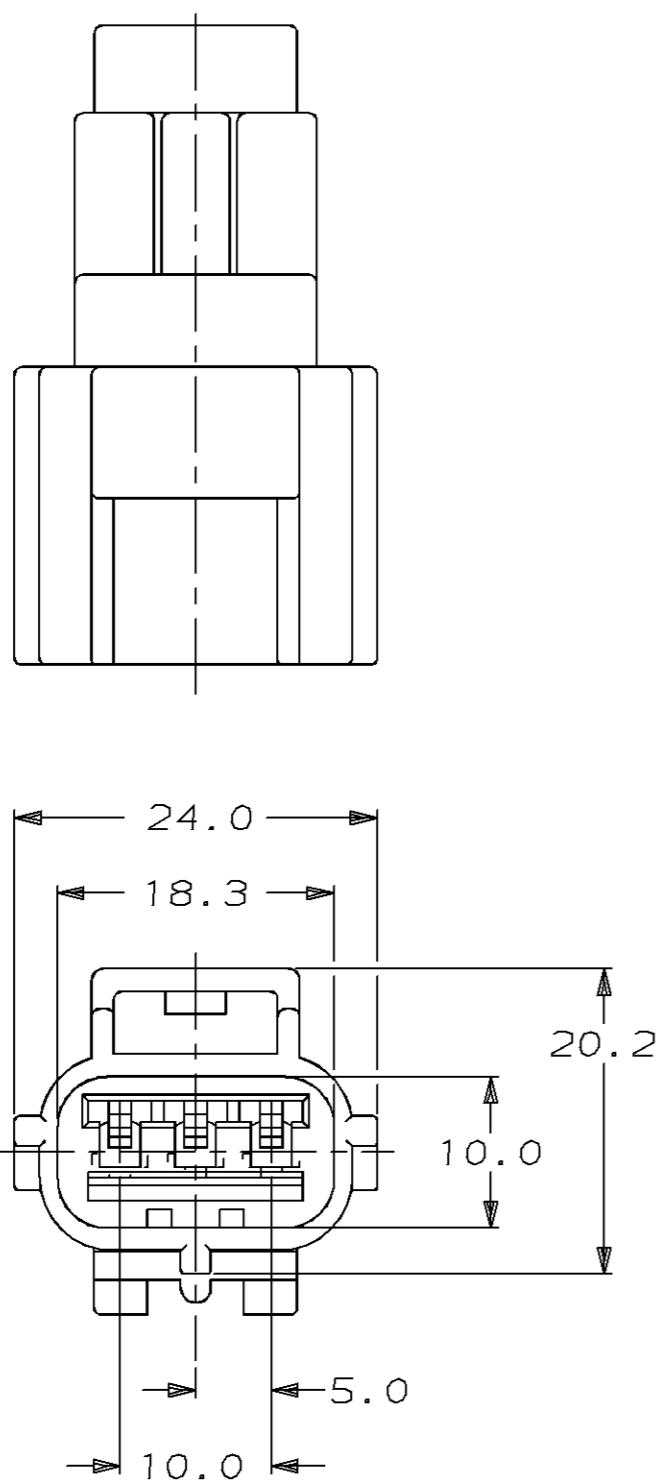
DIST

REVISIONS

G

16

P	LTR	DESCRIPTION	DATE	DWN	APVD
	0	INITIAL RELEASE	02/15/96	KW	JK
	01	ADDED MATL & FINISH TO TITLE BLOCK	03/06/96	KW	JK
	A	REV PER ECN #OKS0-0015-96	09/23/96	KW	JK



184192-1  
PART NUMBER

<small>THIS DRAWING IS A CONTROLLED DOCUMENT FOR AMP INCORPORATED. IT IS SUBJECT TO CHANGE AND THE CONTROLLING ENGINEERING ORGANIZATION SHOULD BE CONTACTED FOR THE LATEST REVISION.</small>		DWN	K. WISE	02/15/96	AMP Incorporated Harrisburg, PA 17105-3608
DIMENSIONS:		CHK	J. KUNKLE	03/01/96	
mm		APVD	J. KUNKLE	03/01/96	
		PRODUCT SPEC	NAME		
TOLERANCES UNLESS OTHERWISE SPECIFIED: 0 PLC ±- 1 PLC ±0.3 2 PLC ±- 3 PLC ±- 4 PLC ±- ANGLES ±- FINISH		APPLICATION SPEC	CAP HSG, SSC, 3 POSN A KEY		
MATERIAL		WEIGHT	SIZE		CAGE CODE
PBT, 15% GLASS FILLED		-	A3		00779
		CUSTOMER DRAWING	DRAWING NO		184192
			SCALE	SHEET	REV
			2:1	1 OF 1	A