

6

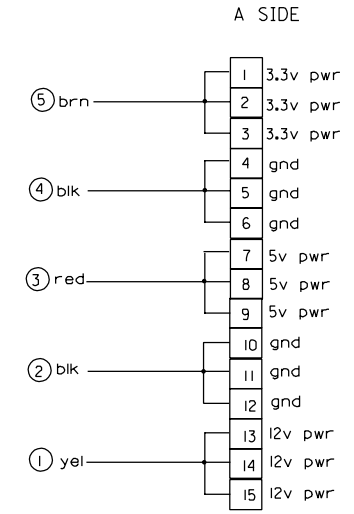
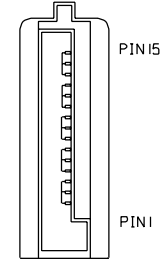
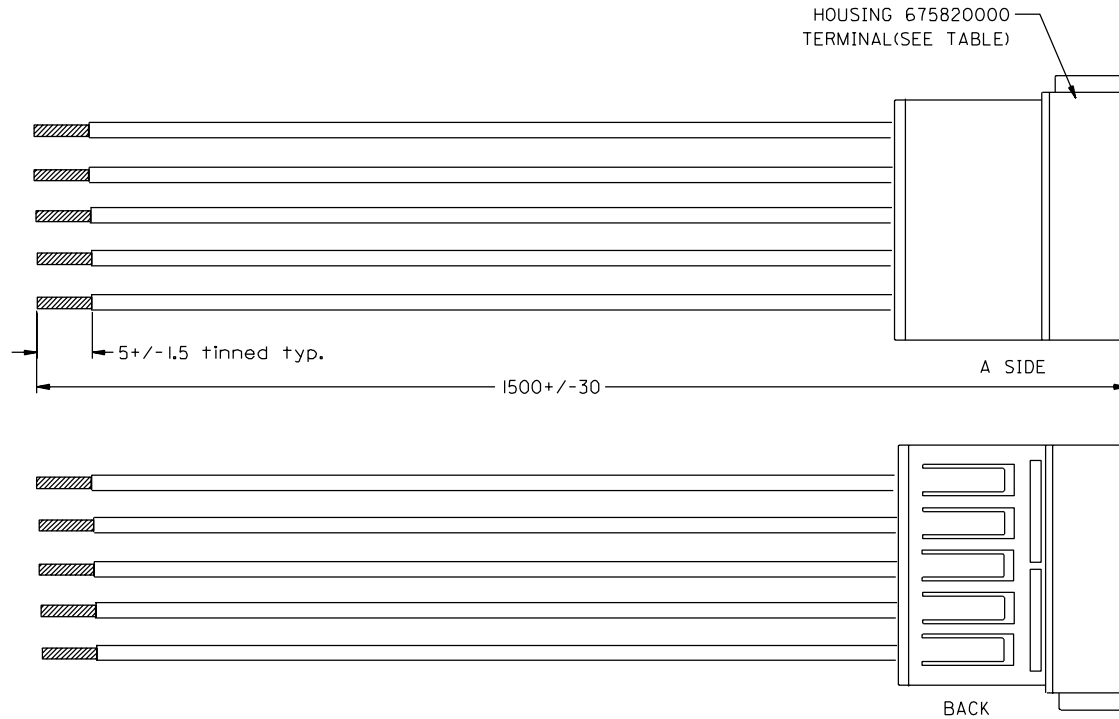
5

4

3

2

1



8875778 II	6758 10001 30u'
8875778 IO	6758 10000 GOLD FLASH
MATERIAL NO.	TERMINAL

5	UL 1007 #18 BRN 887711305
4	UL 1007 #18 BLK 887711300
3	UL 1007 #18 RED 887711301
2	UL 1007 #18 BLK 887711300
1	UL 1007 #18 YEL 887711303
Item	WIRE TYPE

NOTE: 1. ELECTRIC PERFORMANCE:
 ▽ DIELECTRIC STRENGTH: 500 V DC/0.01Sec.
 INSULATION RESISTANCE: 100M OHMS Min.
 CONDUCTIVE RESISTANCE: 2 OHMS Max.
 2. HOUSING 675820000:
 POLYESTER(PBT), UL94V-0(BLACK)

EC NO. A1	DRWN: BENTZ 02/08/08 CHK: APPR:	DESCRIPTION REV	QUALITY SYMBOLS MAJOR ▽ = CRITICAL ▽ = I	GENERAL TOLERANCES: (UNLESS SPECIFIED)		SCALE	DESIGN UNITS <input type="checkbox"/> mm <input type="checkbox"/> INCH	THIRD ANGLE PROJECTION	DIMENSIONS: <input type="checkbox"/> mm <input type="checkbox"/> INCH <input type="checkbox"/> mm ONLY		SHT	REV
				4 PLACES ±0.	±.	DRAWN BY & DATE BENTZ 02/08/08	TITLE: S-ATA POWER CABLE ASSEMBLY					
				3 PLACES ±0.	±.	CHECKED BY & DATE Tony Wong 02/08/08	MATERIAL NO. SEE TABLE		DRAWING NO. SD-88755-005		SHEET NO. 1 OF 1	
				2 PLACES ±0.	±.	APPROVED BY & DATE Tony Wong 02/08/08	CAD FILENAME S88755AE.S01		MOLEX INCORPORATED		SIZE A4	
				1 PLACE ±0.	±.	THIS DRAWING CONTAINS INFORMATION THAT IS PROPRIETARY TO MOLEX INCORPORATED AND SHOULD NOT BE USED WITHOUT WRITTEN PERMISSION.						

6

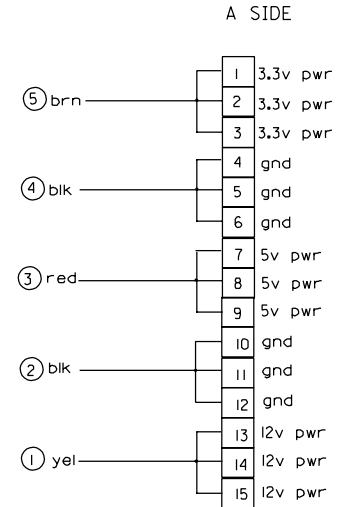
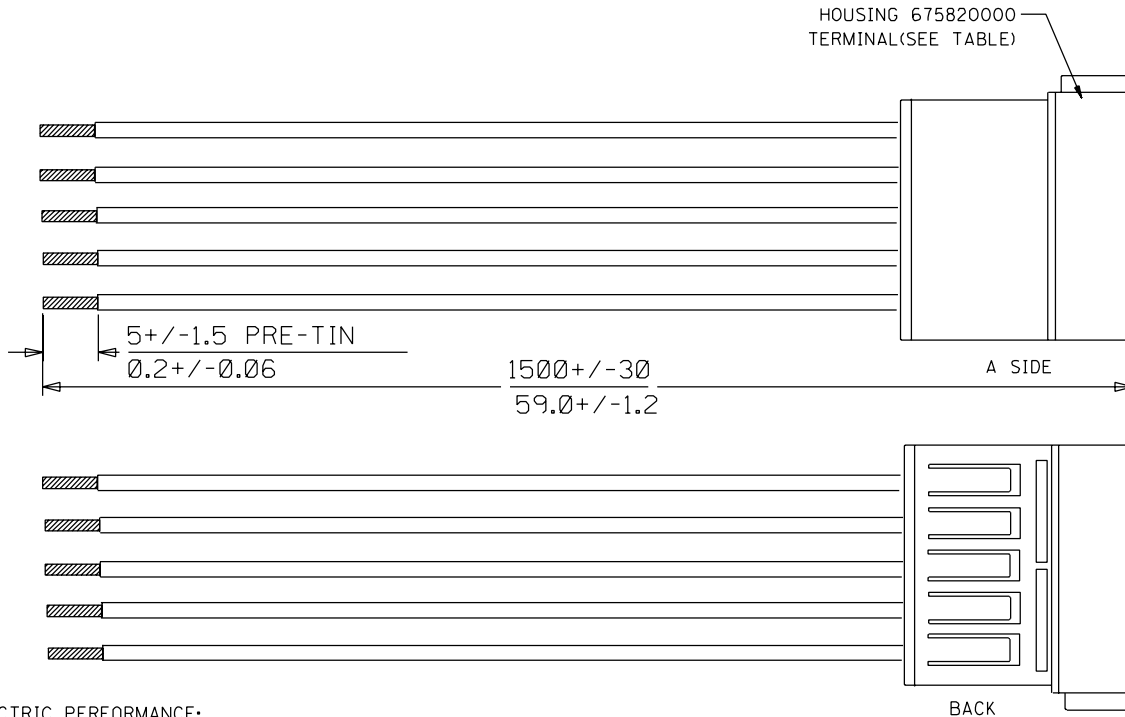
5

4

3

2

1



NOTE: 1. ELECTRIC PERFORMANCE:
DIELECTRONIC STRENGTH: 500 V DC/0.01Sec.
INSULATION RESISTANCE: 100M OHMS Min.
CONDUCTIVE RESISTANCE: 2 OHMS Max.

2. HOUSING 675820000:
POLYESTER(PBT), UL94V-0(BLACK)

887577811	675810001 30u" Gold-plated
887577810	675810000 GOLD FLASH
MATERIAL NO.	TERMINAL

TABLE

5	UL1007 #18 BRN 887711305
4	UL1007 #18 BLK 887711300
3	UL1007 #18 RED 887711301
2	UL1007 #18 BLK 887711300
1	UL1007 #18 YEL 887711303
Item	WIRE TYPE

CONNECTION DIAGRAM			
DIMENSIONS:	<input type="checkbox"/> mm	<input type="checkbox"/> INCH	<input checked="" type="checkbox"/> mm
	<input type="checkbox"/> INCH	<input checked="" type="checkbox"/> mm	<input type="checkbox"/> ONLY
SHT	REV	REVISE ON CAD ONLY	

EC NO. DRWN: Louis 04/03/23 CHK: APPR:	EC NO. DRWN: BENTZ 02/08/08 CHK: APPR:	DESCRIPTION REV	QUALITY SYMBOLS MAJOR ▼ = 0 CRITICAL ▽ = 0	GENERAL TOLERANCES: (UNLESS SPECIFIED)		SCALE	DESIGN UNITS <input checked="" type="checkbox"/> mm <input type="checkbox"/> INCH	THIRD ANGLE <input checked="" type="checkbox"/> PROJECTION	DIMENSIONS: <input type="checkbox"/> mm <input type="checkbox"/> INCH <input checked="" type="checkbox"/> mm <input type="checkbox"/> ONLY		SHT	REV
				4 PLACES	±0.	±.	DRAWN BY & DATE BENTZ 02/08/08	TITLE: S-ATA POWER TO PIGTAIL CABLE ASSEMBLY 1.5M (3.3V+5V+12V)				
				3 PLACES	±0.	±.	CHECKED BY & DATE Tony Wong 02/08/08	MOLEX INCORPORATED				
				2 PLACES	±0.	±.	APPROVED BY & DATE Tony Wong 02/08/08	MATERIAL NO. SEE TABLE		DRAWING NO. SD-88755-005	SHEET NO. 1 OF 1	
				1 PLACE	±0.	±.	CAD FILENAME S88755AE.S01	THIS DRAWING CONTAINS INFORMATION THAT IS PROPRIETARY TO MOLEX INCORPORATED AND SHOULD NOT BE USED WITHOUT WRITTEN PERMISSION.		SIZE A4		
				ANGULAR: ± °								