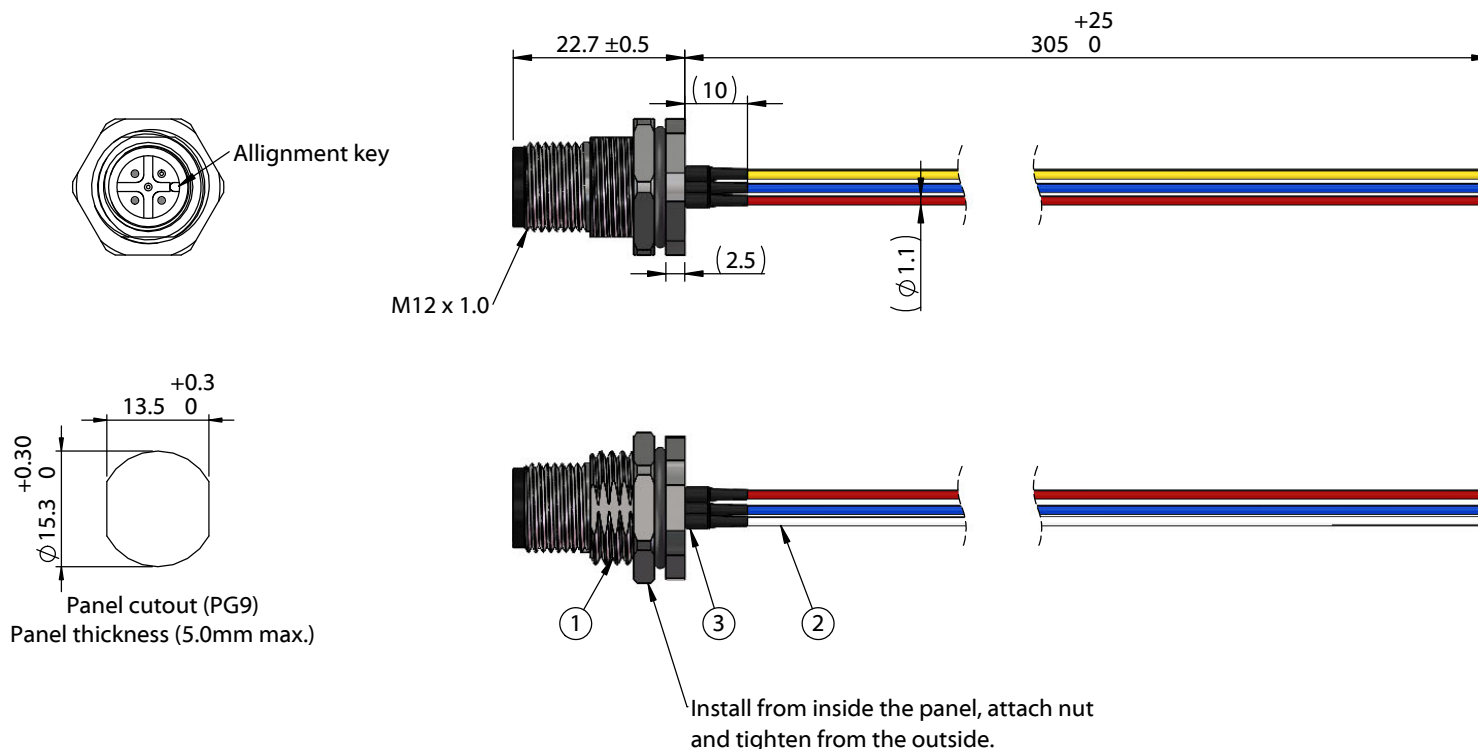


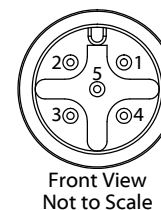
| ITEM NO. | PART NUMBER | DESCRIPTION | QTY. | COMPONENT NOTES |
|----------|-------------|--|------|--|
| 1 | 54-00196 | Connector, 5 pin M12 A-code plug, 12xL24mm, gold plated, panel mount, solder cup, IP67 | 1 | nut and o-ring included |
| 2 | Wire | Wire, hook-up, TS, 24 AWG, UL 11028, 600V, 105C, 1.1 mm, mPPE | 5 | color: red, yellow, black, white, blue |
| 3 | Heat shrink | Heat shrink, UL, black | 5 | covers solder joints |



Notes:
 Cable rated for 60 V, 4 A
 Temperature: -40 ~ 105 °C

IP67 waterproof rating when mated with corresponding (IP67) connector and installed properly in panel

Cables individually packaged in PE bag
 Functionally equivalent components may be substituted



| Wiring Diagram | |
|----------------|-------------------|
| 54-00196 | wire color (P/N) |
| 1 | red (30-01762) |
| 2 | yellow (30-01765) |
| 3 | black (30-01763) |
| 4 | white (30-01764) |
| 5 | blue (30-01766) |

| | | | | | |
|-----------|-----------|-----------------|---|---|---|
| Revision: | Date: | Description: | Prepared: PB <small>Digitally signed by PB Date: 2022.12.01 08:42:16 -08'00'</small> | Notes: | <h1>TENSILITY</h1> <p>tel 1.541.323.3228 800 877.670.7118 fax 1.541.323.4202 web tensility.com</p> |
| A | 11/7/2022 | Initial release | Verified: MP <small>Digitally signed by MP Date: 2022.12.01 09:59:36 -08'00'</small> | RoHS compliant | |
| | | | Dimensions are in millimeters. Tolerances: X: ± 0.5 mm X.X: ± 0.3 mm X.XX: ± 0.05 mm | Function test: no open, no short circuit, no intermittent | |
| | | | | Description: Cable, 305 mm, M12 5C plug panel mount 54-00196 to blunt cut, 24 AWG, UL 11028 hook-up wire | |
| | | | | Size: A | Part number: 10-05266 |
| | | | | Scale: 1:1 | Sheet 1 of 1 |

5

4

3

2

1