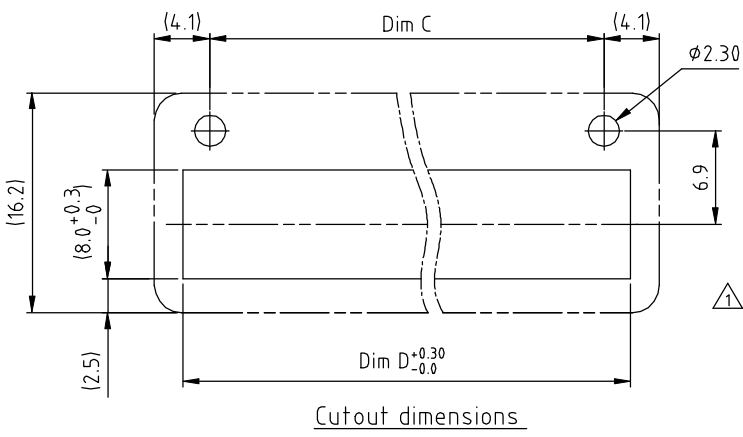
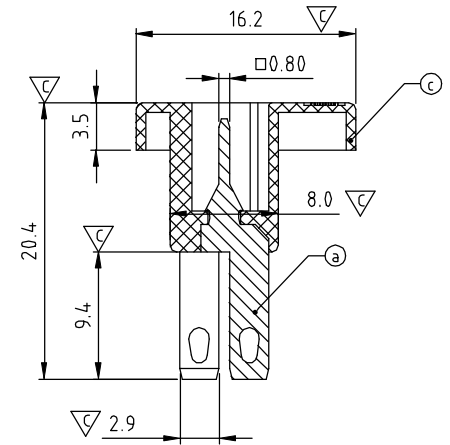


N=Number of contacts



Cutout dimensions



SECTION A-A

DIMENSION $\triangle 3$

Dim A	$N \times 3.81 + 14.39$
Dim B	$(N-1) \times 3.81$
Dim C	$(N-1) \times 3.81 + 10.0$
Dim D	$(N-1) \times 3.81 + 13.95$

Poles	Tolerance
2pole~5pole	± 0.20
6pole~10pole	± 0.30
11pole~15pole	± 0.35
16pole~24pole	± 0.40

SIGN	DATE	DESCRIPTION	APPROVER
$\triangle 1$	3/24'06	Add Cutout dimensions	Marvin
$\triangle 2$	12/14'06	Removed soldering temperature standard.	Marvin
$\triangle 3$	2009.7.3	Add the tolerance table	Jacke
$\triangle 4$	2009.7.3	The temperature changed from $-30^{\circ}\text{C} +105^{\circ}\text{C}$ to $-40^{\circ}\text{C} +115^{\circ}\text{C}$	Jacke
$\triangle 5$	2013.10.17	Update the drawing	Chen Bo

THIS IS CAD DRAWING, DO NOT REVISE MANUALLY!!!

- Material:
- Item a) Solder Pin: Brass , Tin plated.
 - Item b) Flange screw nut: brass M2.5.
 - Item c) Terminal (housing): Thermoplastic(UL94 V-0)
- $\triangle 2$ Electrical cULus
- Voltage rating: 300VAC
 - Current rating: 10A.
 - Withstanding Voltage: 1.6kv
 - Operating temperature: -40°C to $+115^{\circ}\text{C}$
 - Safety Approval:
 - Critical dimension: ∇

VZ xx 30 x 0 xxxx G

Solid Block

02 2 CONTACTS

03 3 CONTACTS

... ..

24 24 CONTACTS

COLOR

0 Black (RAL9005)

2 Red (RAL3001/D)

3 Orange(RAL2011/P)

4 Yellow(RAL1018/A)

5 Green(RAL6018/T)

6 Blue (RAL5015/A)

8 Grey(RAL7035/D)

9 White(RAL1102)

C Green(RAL6018/U)

G RoHS compliant (lead<4%)
In copper Alloy

000 0 Standard @ Logo

000 A Standard ANY Logo

Any special item by customer request, please contact sales department.

ANYTEK				CUSTOMER COPY			
ALL RIGHTS RESERVED. REPRODUCTION OR ISSUE TO THIRD PARTIES IN ANY FORM WHATSOEVER IS NOT PERMITTED WITHOUT WRITTEN AUTHORITY FROM THE PROPRIETOR. PROPERTY OF ANYTEK TECHNOLOGY CO., LTD							
TITLE		VZ-3.81 Series		DWG NO.		8VZ0001	
PART NO.		VZxx30x0xxxxG		DWG NO.		8VZ0001	
APPROVED		CHEN BO	CHEN BO	CUST NO.		Tolerance	
		10/17'13	10/17'13			X. ± 0.50	
						X.X ± 0.30	
						X.XX ± 0.10	
						X° $\pm 1^{\circ}$	
				SHEET: 01/01		REV.: G	