

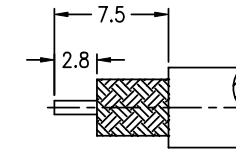
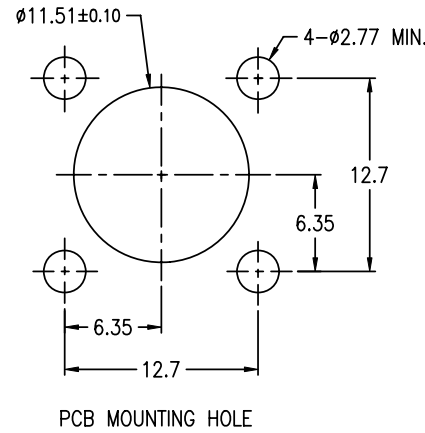
NOTES:

1. MATERIALS AND FINISHES  
 BODY - BRASS, NICKEL PLATING  
 CONTACT - BERYLLIUM COPPER, SILVER PLATING  
 INSULATOR - PTFE
2. ELECTRICAL:  
 A. IMPEDANCE: 50 OHM  
 B. FREQUENCY RANGE: DC-4 GHz  
 C. DIELECTRIC WITHSTANDING VOLTAGE: 1500 VRMS, MIN.
3. MECHANICAL:  
 A. DURABILITY: 500 CYCLES MIN.  
 B. TEMPERATURE RANGE: - 60°C to +165°C
4. THIS CONNECTOR IS USED WITH RG-558/U, RG-58C/U, OR RG-223/U CABLES.
5. ASSEMBLY INSTRUCTIONS:  
 A. PLACE NUT, WASHER AND GASKET (WITH 'V' GROOVE TOWARD OPEN END OF CABLE) OVER CABLE  
 B. TRIM TO RECOMMENDED STRIPPING DIMENSIONS  
 C. PULL BRAID WIRES FORWARD AND TAPER TOWARD CENTER CONDUCTOR  
 PLACE CLAMP OVER BRAID AND PUSH BACK AGAINST CABLE JACKET  
 D. FOLD BACK BRAID WIRES. CRIMP OR SOLDER ON CONTACT.  
 E. INSERT CABLE AND PARTS TO CONNECTOR BODY. MAKE SURE SHARP EDGE OF CLAMP SEATS PROPERLY IN GASKET. TIGHTEN NUT

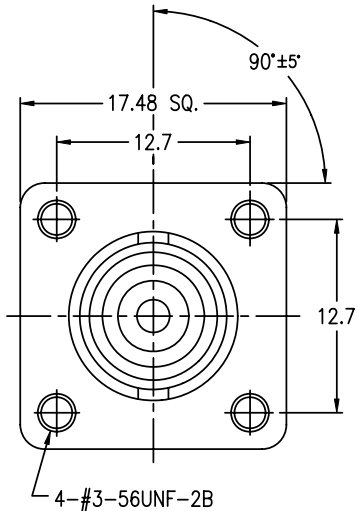
THIRD ANGLE PROJ.

REVISIONS

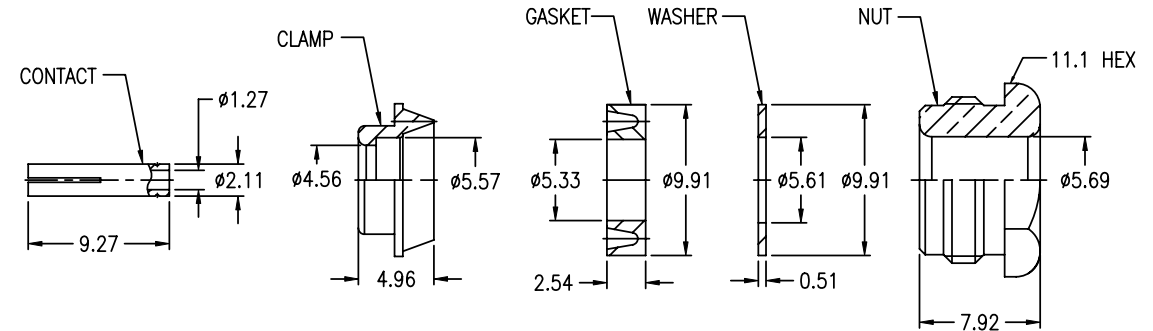
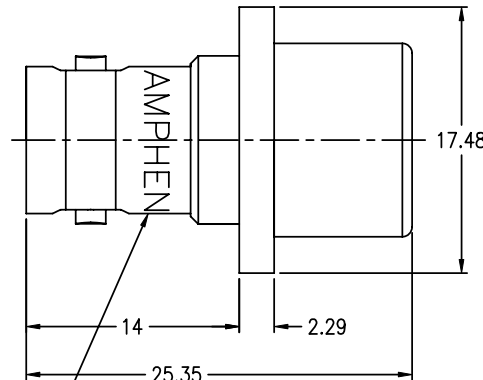
REV	DESCRIPTION	DATE	ECO	APPR
H	REDRAWN TO UPDATE FORMAT\RD-DM09071601J1	14-Aug-09	47208	SH
J	STAMP "AMPHENOL" WAS "74868"\RD-DM11120601R3	26-Dec-11	48844	SH



RECOMMENDED CABLE STRIPPING DIM'S



"AMPHENOL UG-291C/U"



**CUSTOMER OUTLINE DRAWING**

ALL OTHER SHEETS ARE FOR INTERNAL USE ONLY

UNLESS OTHERWISE SPECIFIED, DIMENSIONS ARE IN METRIC AND TOLERANCES ARE: 0.5 - 6mm ±0.1mm    6 - 30mm ±0.2mm    30 - 120mm ±0.3mm    ANGLES ±1°	MATERIAL	DRAWN R.MAO	DATE 12-Dec-11	TITLE BNC PANEL JACK (TYPE UG-291C/U)			Amphenol RF Danbury CT USA, Tainan Taiwan, Shenzhen China www.amphenolrf.com	
	REFERENCE	ENGINEER S.HSIEH	DATE 26-Aug-05				DRAWING NO.	31-2201
NOTICE - These drawings, specifications, or other data (1) are, and remain the property of Amphenol Corp. (2) must be returned upon request; and (3) are confidential and not to be disclosed to any person other than those to whom they are given by Amphenol Corp. The furnishing of these drawings, specifications, or other data by Amphenol Corp., or to any other person to anyone for any purpose is not to be regarded by implication or otherwise in any manner licensing, granting rights or permitting such holder or any other person to manufacture, use or sell any product, process or design, patented or otherwise, that may in any way be related to or disclosed by said drawings, specifications, or other data.	FINISH	APPROVED S.HSIEH	DATE 12-Dec-11	SCALE: 2/1	SHEET 2 OF 2	ITEM NO.	31-2201	
		F:\DWG\CNPD\31\2201-JSZ			DWG SIZE B	CODE ID 74868	REV J	PART NO. 31-2201