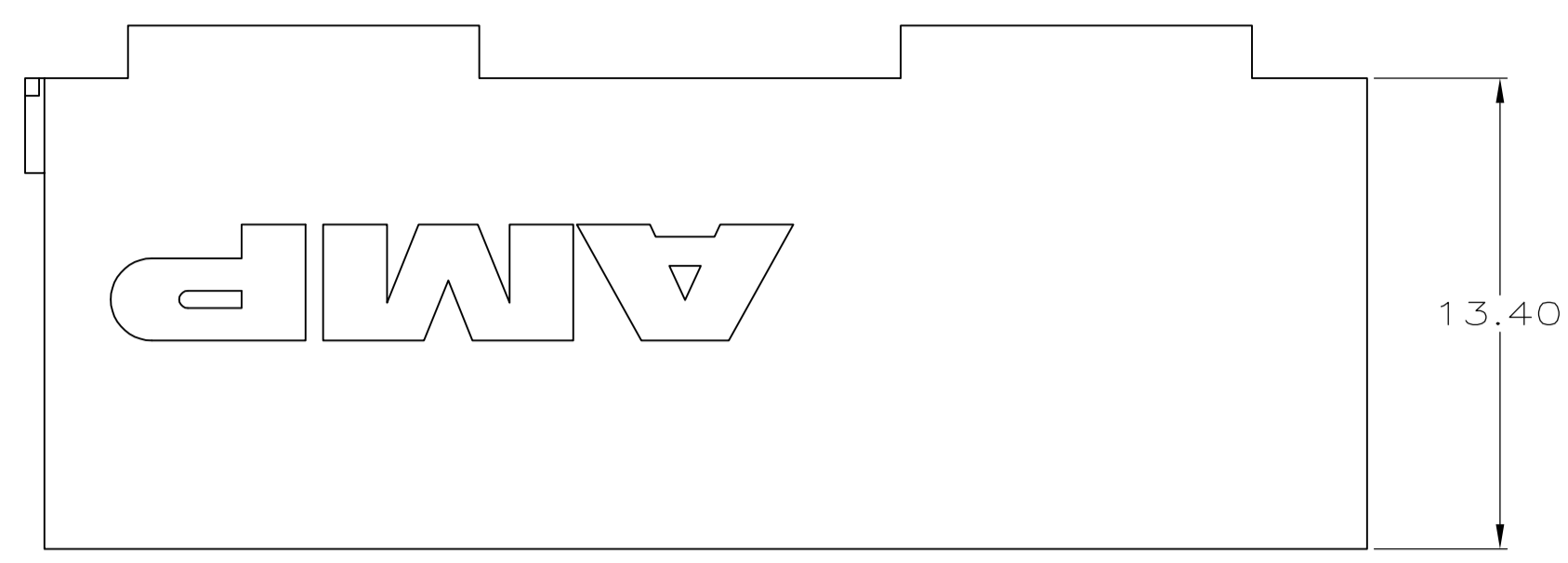
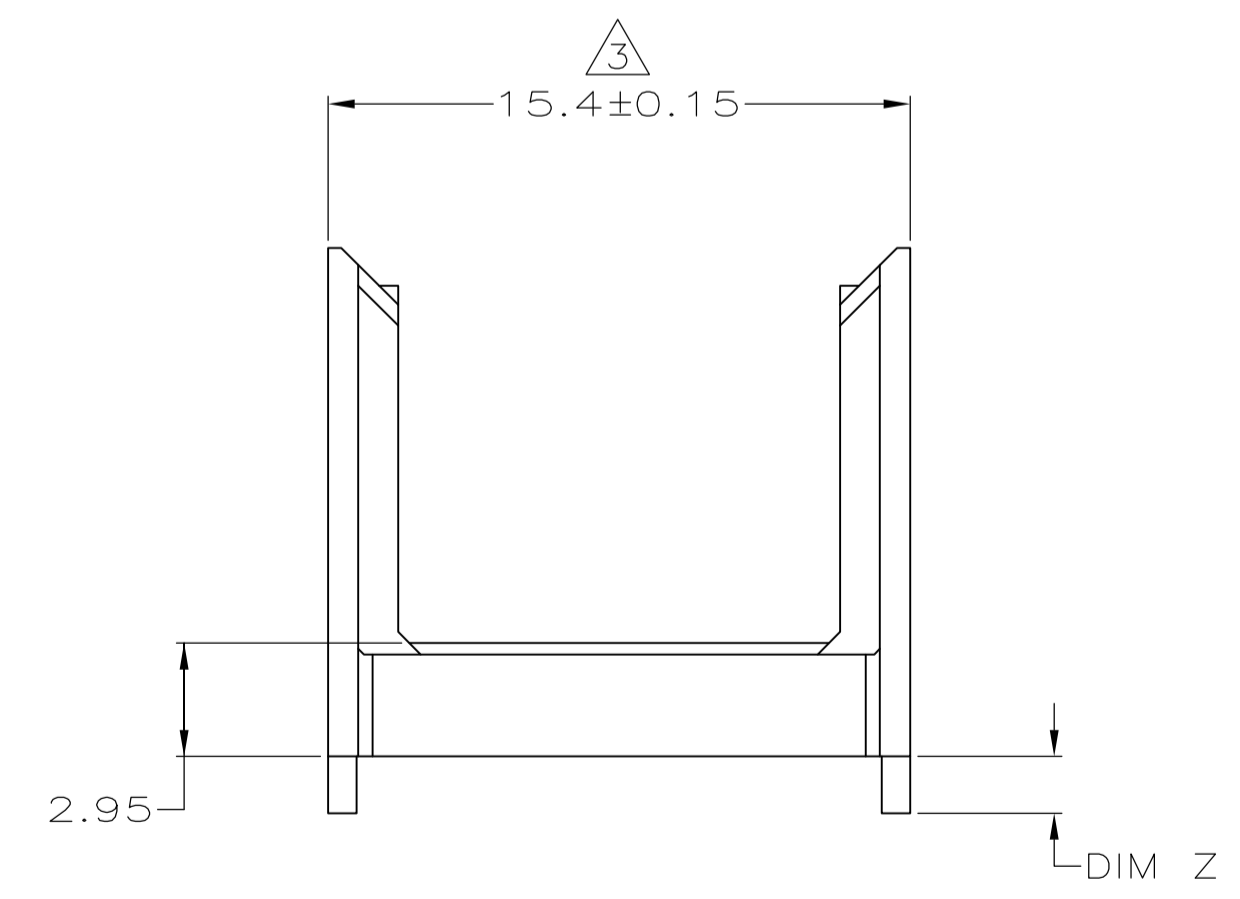
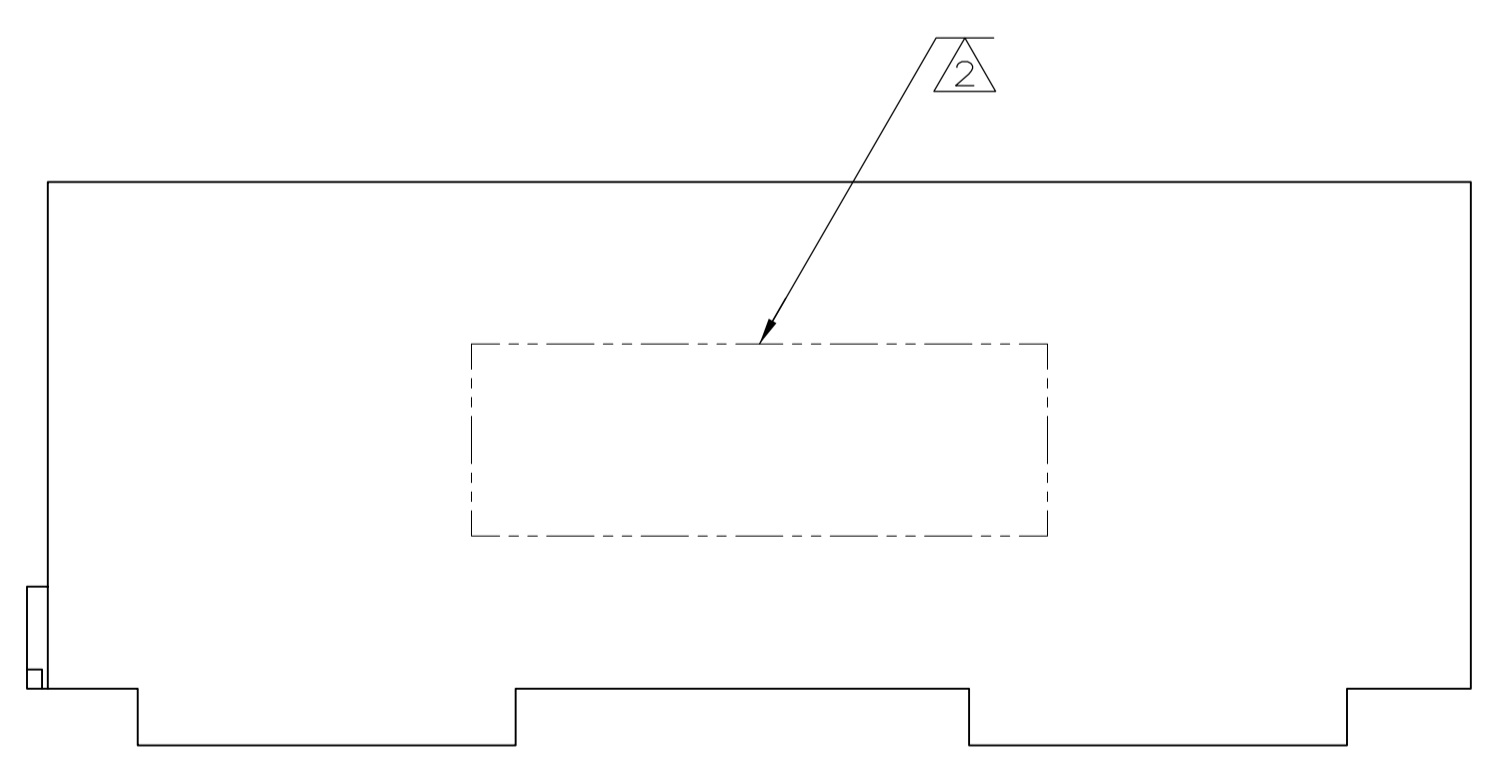
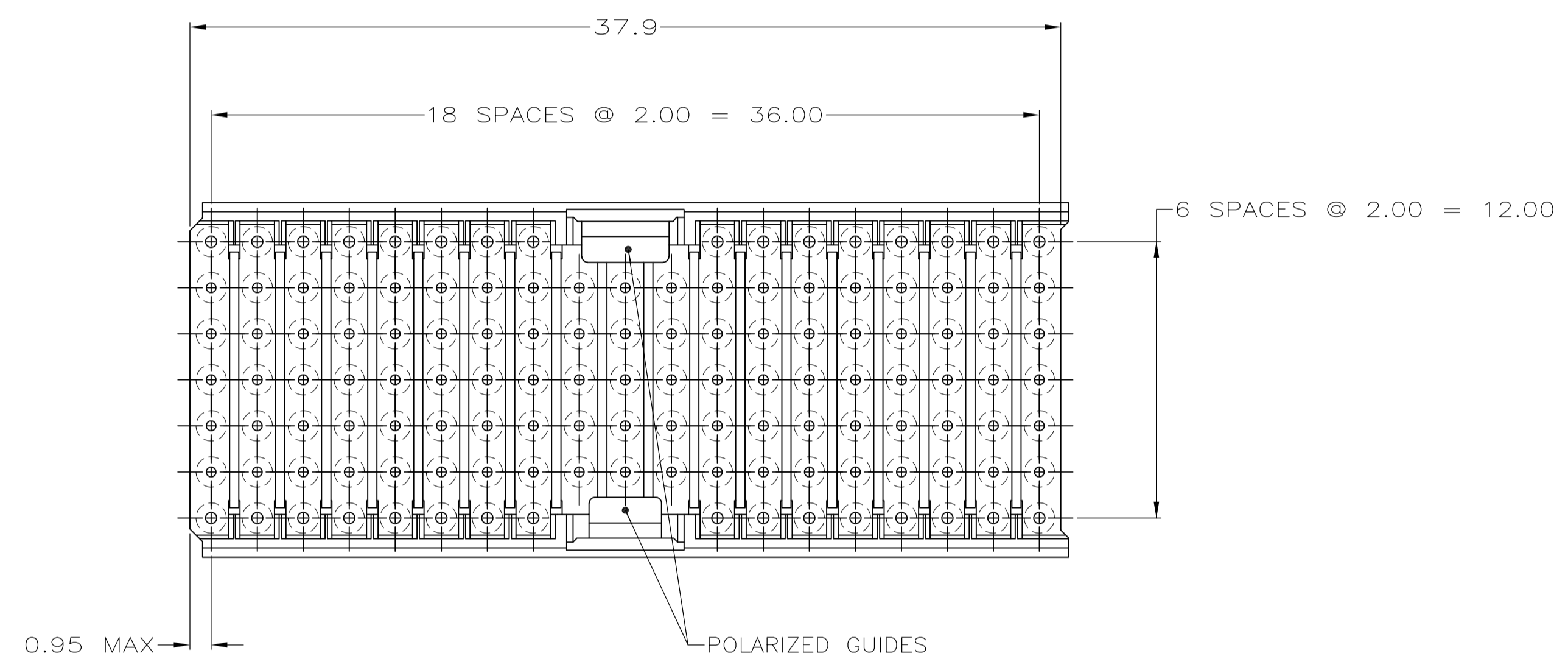


LOC		DIST		REVISIONS			
ES	00	SP	LTR	DESCRIPTION	DATE	DWN	APVD
		D		REVISED PER ECR-10-008928	26APR2010	SA.Y	SY
		E		ECR-10-019054	15SEP10	DP	MQW



- ⚠ MATERIAL: GLASS FILLED POLYESTER.
- ⚠ PART NUMBER MARKED IN APPROXIMATE AREA SHOWN.
- ⚠ TO BE MEASURED AT BASE OF SHROUD.
- ⚠ OBSOLETE PARTS: OBSOLETE CIS STREAMLINING PER D.RENAUD/D.SINISI



⚠ OBSOLETE	1.90	646483-7
⚠ OBSOLETE	1.70	646483-6
⚠ OBSOLETE	1.50	646483-5
⚠ OBSOLETE	1.30	646483-4
⚠ OBSOLETE	1.10	646483-3
	0.90	646483-2
		646483-1
	DIM Z	PART NUMBER

THIS DRAWING IS A CONTROLLED DOCUMENT

DIMENSIONS:	TOLERANCES UNLESS OTHERWISE SPECIFIED:	DWN	T. SHUEY	6-9-98	Tyco Electronics Corporation Harrisburg, PA 17105-3608			
mm	0-PLG ±	CHK	G. SKIPPER	11-23-98				
	1-PLG ±0.1	APVD	G. SKIPPER	11-23-98	SHROUD, A-B, Z-PACK 2mm HM, 5 ROW, 127 POSITION, WITH GUIDE			
	2-PLG ±0.05 ±0.2	NAME	G. SKIPPER					
	3-PLG ±	PRODUCT SPEC			SIZE	CAGE CODE	DRAWING NO	RESTRICTED TO
	4-PLG ±	APPLICATION SPEC			A100779		646483	
	ANGLES ±	WEIGHT			SCALE	SHEET	OF	REV
MATERIAL	FINISH	CUSTOMER DRAWING			5:1	1	1	