

HC-ADV-B16-HLWH-BLANK-ELC-AL - Housing



1420053

<https://www.phoenixcontact.com/pc/products/1420053>

Please be informed that the data shown in this PDF document is generated from our online catalog. Please find the complete data in the user documentation. Our general terms of use for downloads are valid.



Sleeve housing B16, with screw locking, material: Die-cast aluminum, salt water resistant, variable, height: 74 mm, cable gland: none, Offshore/EMC, Without thread opening for screw connection, conductive seal (EMC properties)

Commercial data

| | |
|--------------------------------------|---------------------|
| Item number | 1420053 |
| Packing unit | 1 pc |
| Minimum order quantity | 1 pc |
| Product key | BF7APH |
| Catalog page | Page 617 (C-2-2019) |
| GTIN | 4055626201481 |
| Weight per piece (including packing) | 279.7 g |
| Weight per piece (excluding packing) | 279.7 g |
| Customs tariff number | 85389099 |
| Country of origin | CN |

1420053

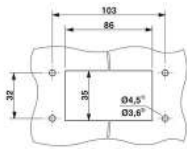
<https://www.phoenixcontact.com/pc/products/1420053>

Technical data

Product properties

| | |
|---------------------|-----------------------------------|
| Type | B16 |
| Product type | Housing with screw locking |
| Application | Offshore/EMC |
| Fixing screws | M6 (screw head: 5 mm Allen screw) |
| Housing type | Sleeve housing |
| Shielded | yes |
| Cable outlet | variable |
| Pg screw connection | none |

Dimensions

| | |
|---------------------|---|
| Dimensional drawing |  |
| Width | 57 mm |
| Height | 74 mm |
| Length | 125.4 mm |

Installation dimensions

| | |
|-------------------------------|-------|
| Width of the assembly cutout | 35 mm |
| Length of the assembly cutout | 86 mm |

Material specifications

| | |
|--------------------------|---|
| Seal material | NBR, conductive |
| Housing surface material | uncoated |
| Locking latch material | Stainless steel |
| Impact strength | IK09 |
| Housing material | Die-cast aluminum, salt water resistant |

Environmental and real-life conditions

Ambient conditions

| | |
|---------------------------------|--------------------------|
| Degree of protection | IP66 |
| | IP68 (0.2 bar/24 h) |
| | IP69 (ISO 20653:2013-02) |
| Degree of protection (NEMA) | 4 (UL 50e) |
| | 4X (UL 50e) |
| | 12 (UL 50e) |
| Impact strength | IK09 |
| Ambient temperature (operation) | -40 °C ... 125 °C |

1420053

<https://www.phoenixcontact.com/pc/products/1420053>

Mechanical properties

Mechanical data

| | |
|--------------|-------|
| Locking type | Screw |
|--------------|-------|

Mounting

| | |
|-----------------------|--|
| Assembly instructions | In order to guarantee that the protective conductor contact functions even when plugged in at an angle, the two panel-mount flanges must have sufficient electrical contact with the metal mounting panel. |
| | To ensure optimum shielding, any insulating power coating must be removed from the profile gasket area on the control cabinet panel. Tightening torque of locking screw: 3 Nm. |
| Fixing screws | M6 (screw head: 5 mm Allen screw) |

HC-ADV-B16-HLWH-BLANK-ELC-AL - Housing

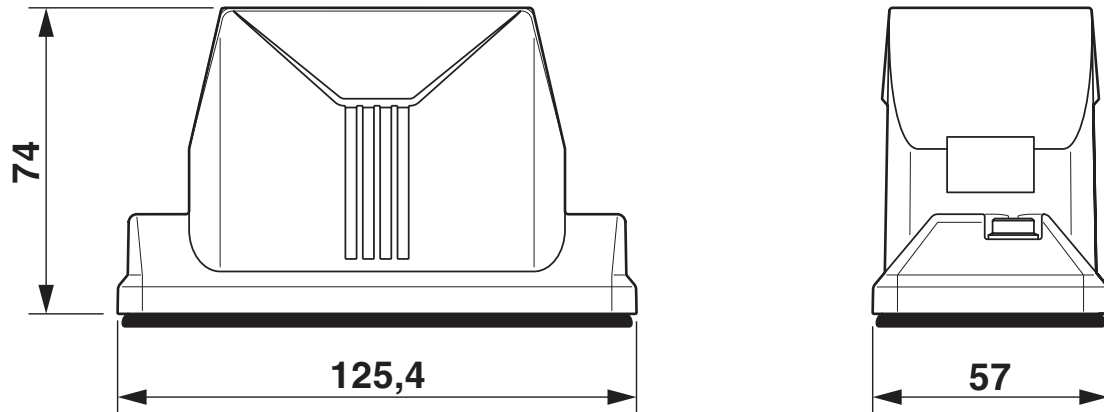


1420053

<https://www.phoenixcontact.com/pc/products/1420053>

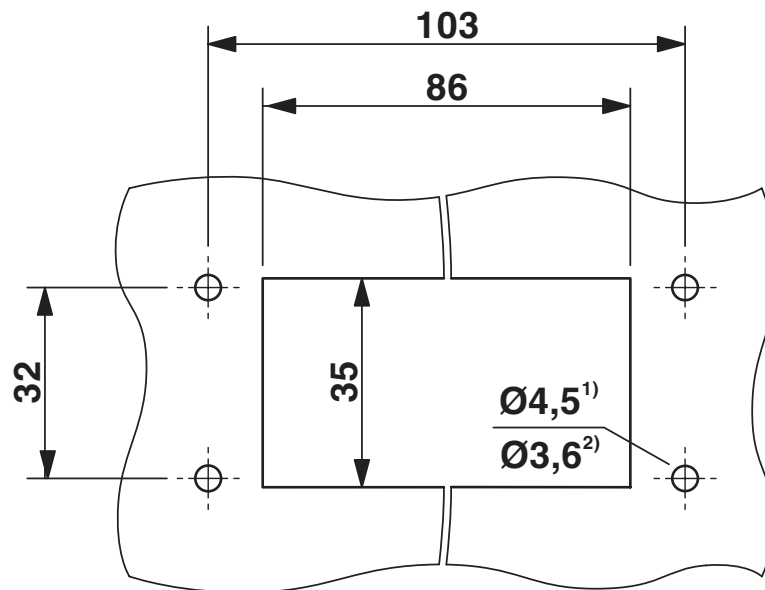
Drawings

Dimensional drawing



Dimensional drawing

Dimensional drawing



Mounting cutout

1) when M4 screws are used

2) when self-tapping Torx® screws are used (Torx® 20, M4)

1420053

<https://www.phoenixcontact.com/pc/products/1420053>

Approvals

🔗 To download certificates, visit the product detail page: <https://www.phoenixcontact.com/pc/products/1420053>

DNV

Approval ID: TAE000037S



cUL Recognized

Approval ID: E255026



UL Recognized

Approval ID: E255026



EAC

Approval ID: RU C-DE.AI30.B.01102



EAC

Approval ID: RU C-DE.BL08.B.00511

cULus Recognized

HC-ADV-B16-HLWH-BLANK-ELC-AL - Housing



1420053

<https://www.phoenixcontact.com/pc/products/1420053>

Classifications

ECLASS

| | |
|-------------|----------|
| ECLASS-11.0 | 27440202 |
| ECLASS-12.0 | 27440202 |
| ECLASS-13.0 | 27440202 |

ETIM

| | |
|----------|----------|
| ETIM 8.0 | EC000437 |
|----------|----------|

UNSPSC

| | |
|-------------|----------|
| UNSPSC 21.0 | 31261500 |
|-------------|----------|

HC-ADV-B16-HLWH-BLANK-ELC-AL - Housing



1420053

<https://www.phoenixcontact.com/pc/products/1420053>

Environmental product compliance

| | |
|------------|---|
| China RoHS | Environmentally friendly use period: unlimited = EFUP-e |
| | No hazardous substances above threshold values |

HC-ADV-B16-HLWH-BLANK-ELC-AL - Housing

1420053

<https://www.phoenixcontact.com/pc/products/1420053>

Accessories

HC-B-AF - Panel-mount flange

1686533

<https://www.phoenixcontact.com/pc/products/1686533>



Panel-mount flange for HEAVYCON ADVANCE housing

HC-B-AF-SET - Panel-mount flange

1604638

<https://www.phoenixcontact.com/pc/products/1604638>



Panel-mount flange for HEAVYCON ADVANCE housing, set consisting of: 2 panel-mount flanges with 4 self-tapping screws (M4, Torx[®]) and 4 fan-type washers

HC-ADV-B16-HLWH-BLANK-ELC-AL - Housing

1420053

<https://www.phoenixcontact.com/pc/products/1420053>

HC-B 16-TMS-SD-IP50 - Protective cover

1690752

<https://www.phoenixcontact.com/pc/products/1690752>



Protective cover B16, Clip locking, protective cover material: PA, height: 31.2 mm, seal: no, with lanyard

HC-B 16-TMS-SD-IP66 - Protective cover

1411517

<https://www.phoenixcontact.com/pc/products/1411517>



HEAVYCON ADVANCE, IP66, B16 protective cover, for panel mounting side, with screw locking, with retaining cord, diameter of retaining cord eyelet: 3 mm

HC-ADV-B16-HLWH-BLANK-ELC-AL - Housing



1420053

<https://www.phoenixcontact.com/pc/products/1420053>

US-EMLP-HA (20X9) - Plastic label

0830989

<https://www.phoenixcontact.com/pc/products/0830989>



Plastic label, Card, white, unlabeled, can be labeled with: BLUEMARK ID COLOR, BLUEMARK ID, THERMOMARK PRIME, THERMOMARK CARD 2.0, THERMOMARK CARD, mounting type: adhesive, lettering field size: 20 x 9 mm, Number of individual labels: 70

US-EMLP-HA (20X9) CUS - Plastic label

0830995

<https://www.phoenixcontact.com/pc/products/0830995>



Plastic label, Card, white, labeled, can be labeled with: THERMOMARK CARD, mounting type: adhesive, lettering field size: 20 x 9 mm, Number of individual labels: 70

HC-ADV-B16-HLWH-BLANK-ELC-AL - Housing



1420053

<https://www.phoenixcontact.com/pc/products/1420053>

SF-BIT-HEXB 5-89 - Screw insert

1208911

<https://www.phoenixcontact.com/pc/products/1208911>



Screw bit, hexagonal with ball head, E6.3-1/4" drive, size: Hex 5 x 89 mm, hardened, suitable for holder according to DIN 3126-F 6.3/ISO 1173

SF-M BH - Screwdriver

1212070

<https://www.phoenixcontact.com/pc/products/1212070>



Bit screwdriver, with 1/4" quick-action chuck, handle length 119 mm, 2-component handle, with non-slip grip, suitable for bits according to DIN 3126-C 6.3 and E 6.3/ISO 1173, magnetic

Phoenix Contact 2023 © - all rights reserved
<https://www.phoenixcontact.com>

PHOENIX CONTACT GmbH & Co. KG
Flachsmarktstraße 8
D-32825 Blomberg
+49 (0) 5235-3 00
info@phoenixcontact.com