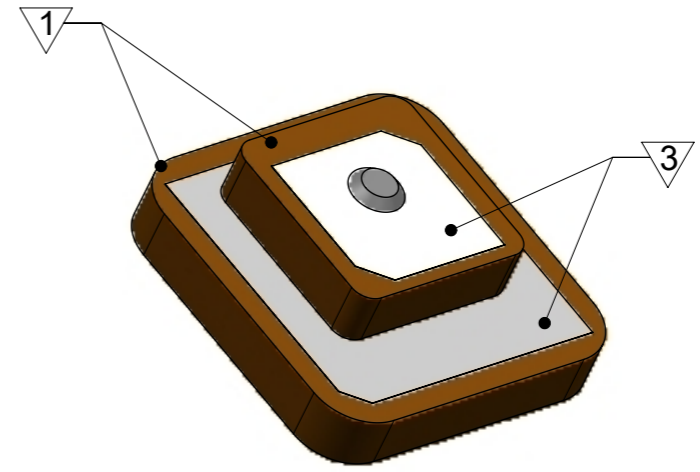
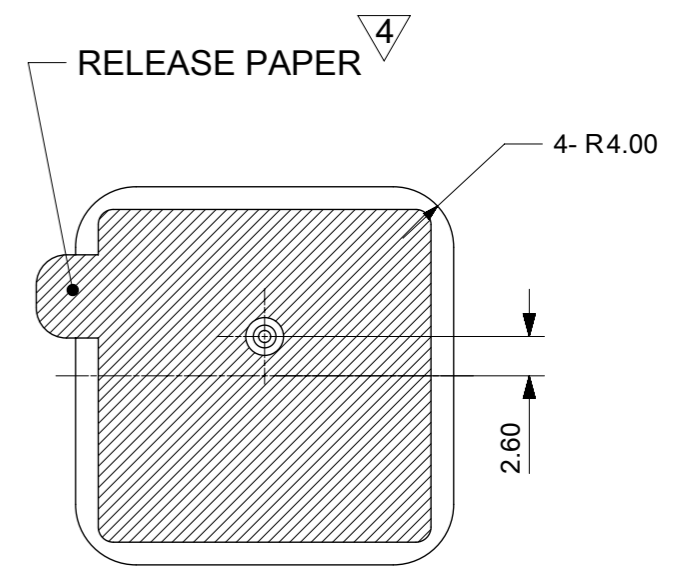
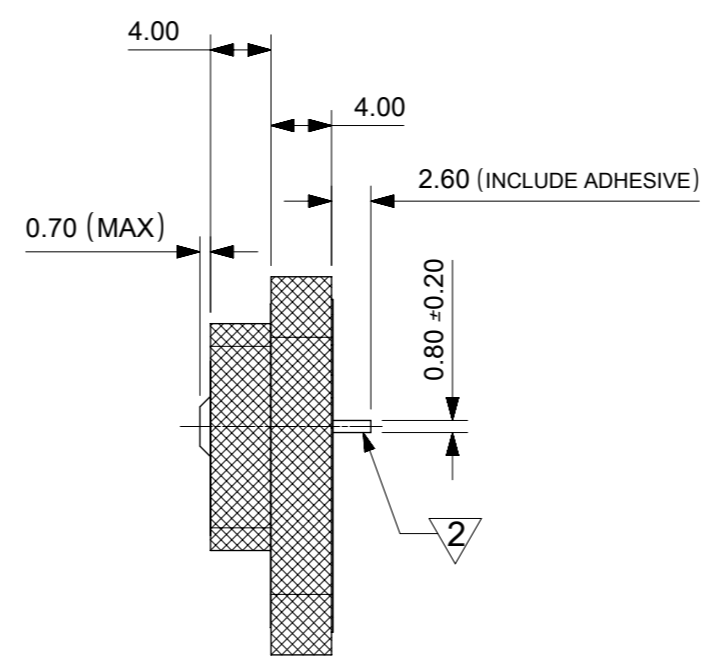
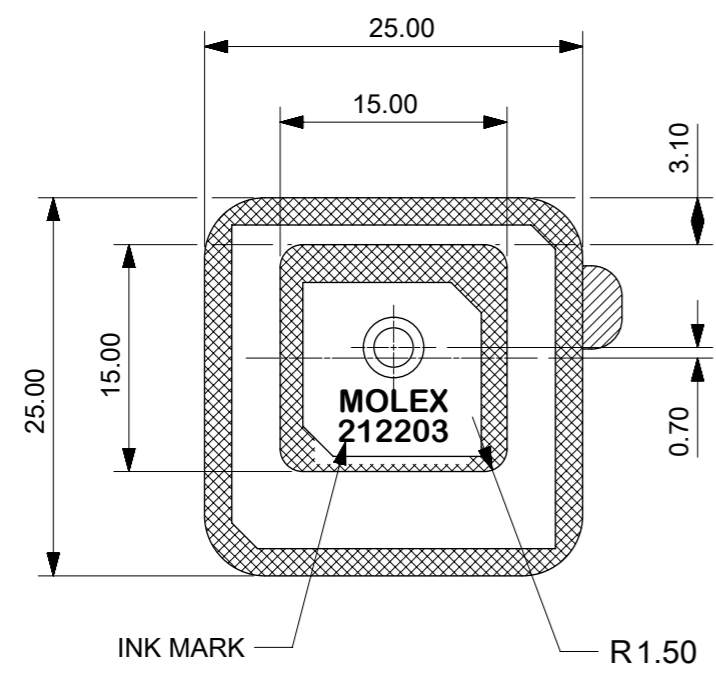


TABLE A		
No.	DESCRIPTION	STRUCTURE AND MATERIAL
1	ANTENNA SUBSTRATE	DIELECTRIC CERAMICS
2	PIN	COPPER AND TINPLATED
3	PATCH	Ag PLATED
4	ADHESIVE TYPE	NITTO 5000NS

REV.	DATE	CHANGE DESCRIPTION
A	2019/03/18	NEW RELEASE
B	2019/05/21	ADD ADHESIVE THICKNESS



3D VIEW



- NOTES:
1. MATERIAL: CERAMIC.
  2. GENERAL COSMETIC APPEARANCE AS DEFINED BY MOLEX COSMETIC SPECIFICATION.
  3. STRUCTURE AND MATERIAL REFERENCE TABLE A
  4. NITTO 5000NS THICKNESS:0.16mm.

SYMBOLS	THIS DRAWING CONTAINS INFORMATION THAT IS PROPRIETARY TO MOLEX ELECTRONIC TECHNOLOGIES, LLC AND SHOULD NOT BE USED WITHOUT WRITTEN PERMISSION		CURRENT REV DESC:		<b>molex</b>
	DIMENSION UNITS	SCALE			
▽ = 0	mm	2:1			GPS L1/L5 25MM STACKED PATCH ANTENNA
▽ = 0	GENERAL TOLERANCES (UNLESS SPECIFIED)				
▽ = 0	ANGULAR TOL ± °				PRODUCT CUSTOMER DRAWING
▽ = 0	4 PLACES ±		EC NO: 616280		
▽ = 0	3 PLACES ±		DRWN: KCHENG06 2019/05/21		
▽ = 0	2 PLACES ±	0.5	CHK'D: XJSONG 2019/05/23		
▽ = 0	1 PLACE ±		APPR: XJSONG 2019/05/23		
▽ = 0	0 PLACES ±		INITIAL REVISION:		
▽ = 0	DRAFT WHERE APPLICABLE MUST REMAIN WITHIN DIMENSIONS		DRWN: KCHENG06 2019/03/18		DOCUMENT NUMBER
▽ = 0	THIRD ANGLE PROJECTION		APPR: XJSONG 2019/04/22		2122030001
		DRAWING	SERIES	MATERIAL NUMBER	CUSTOMER
		A3-SIZE	212203	2122030001	GENERAL MARKET
				DOC TYPE	DOC PART
				PSD	000
				REVISION	B
				SHEET NUMBER	
				1 OF 1	