

REV. Status

REVISION -
11/15/95 TS

REVISION A
ADDED DIM
1(0.04)NOMINAL
02/25/97 TS

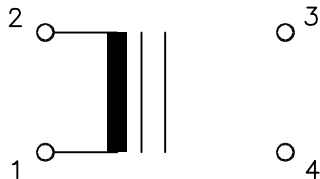
HOLDING COIL DESIGNED TO OPERATE AT 1 KHz, 100mADC

A. Electrical Specifications (@ 25 ° C)

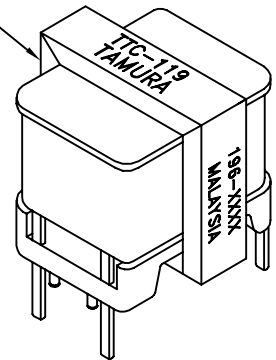
1. DC Resistance;
180Ω ±15%
2. Inductance;
1.3 Hy +50%, -10% @ 1 KHz, 1 Vrms and 100mADC
2.0 Hy +50%, -10% @ 1 KHz, 1 Vrms and 60 mADC
3. Dielectric Strength;
1.5 KVrms, 1 minute, Coil to Core

B. Marking; TTC-119, TAMURA, T4415, MICROTRAN, date code and country of origin

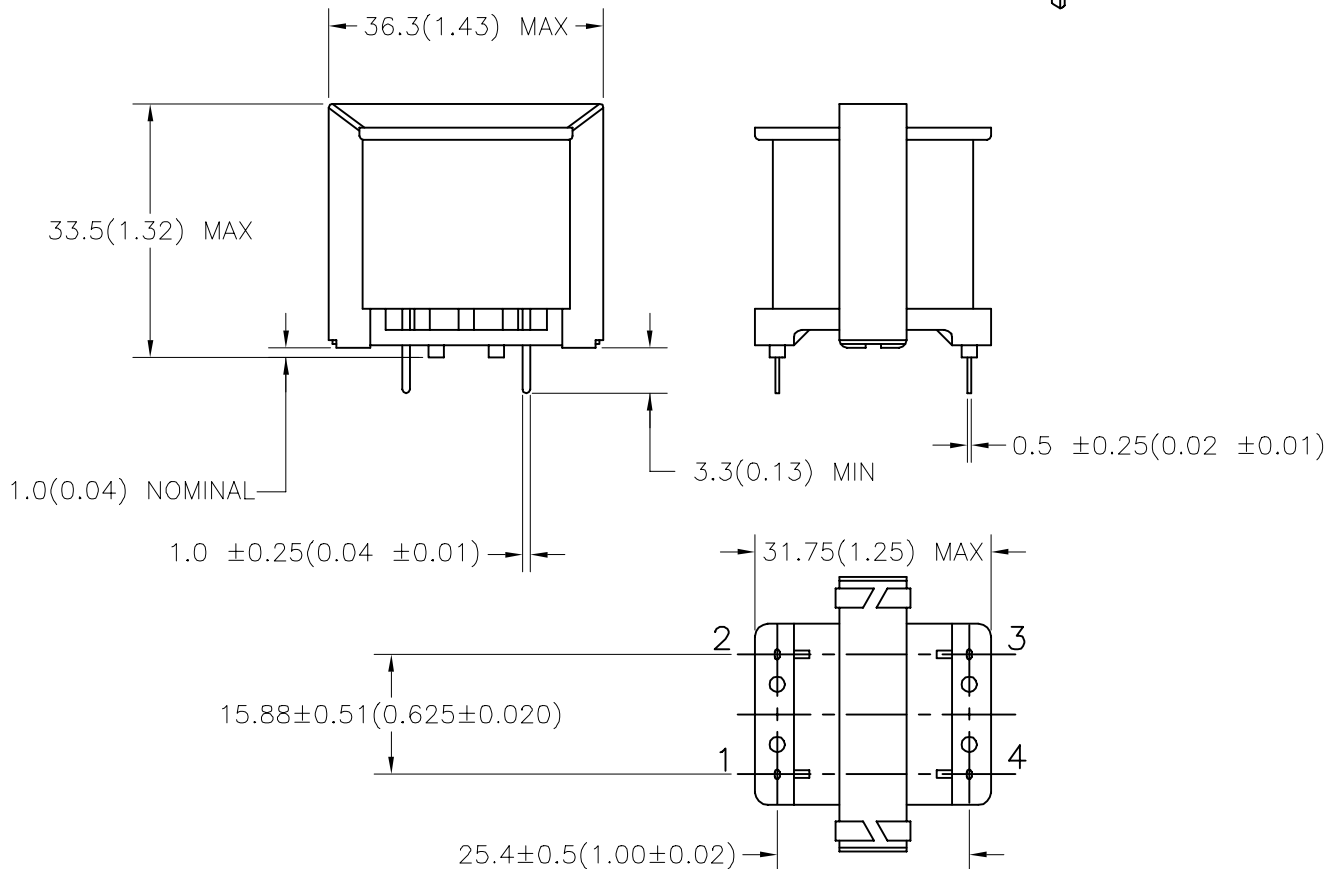
D. Schematic Diagram



MICROTRAN and T4415



E. Mechanical Specifications



TOLERANCES (mm)

≤ 4 ± 0.2
4 ≤ 20 ± 0.3
20 ≤ 50 ± 0.4

PREPARED BY:

K. Brennan

ENGINEER:

DWG CONTROL NO. P-A1-11463
ACAD\TTC\A1114631.DWG

T. Shiozawa

QUALITY CONTROL:

CONTENTS OF THIS DRAWING ARE SUBJECT TO CHANGE WITHOUT PRIOR NOTICE

D. Kelley

APPROVED:

D. Kelley

REV

A

HOLDING COIL

TAMURA CORPORATION OF AMERICA

43352 BUSINESS PARK DRIVE, TEMECULA, CA. 92590-6624
(909) 699-1270 FAX 9096769482

TTC-119

MODEL SPECIFICATION

DIM: mm(In) SCL: 1/1 SH: 1 OF 1

PROPRIETARY NOTICE: THIS DRAWING PRINT OR DOCUMENT AND SUBJECT MATTER DISCLOSED HEREIN ARE PROPRIETARY ITEMS TO WHICH TAMURA RETAINS THE EXCLUSIVE RIGHT OF DISSEMINATION, REPRODUCTION, MANUFACTURE AND SALE. THIS DRAWING, PRINT OR DOCUMENT IS SUBMITTED IN CONFIDENCE FOR CONSIDERATION BY THE RECIPIENT ALONE UNLESS PERMISSION FOR FURTHER DISCLOSURE IS EXPRESSLY GRANTED IN WRITING.

MODEL NUMBER

TTC-119