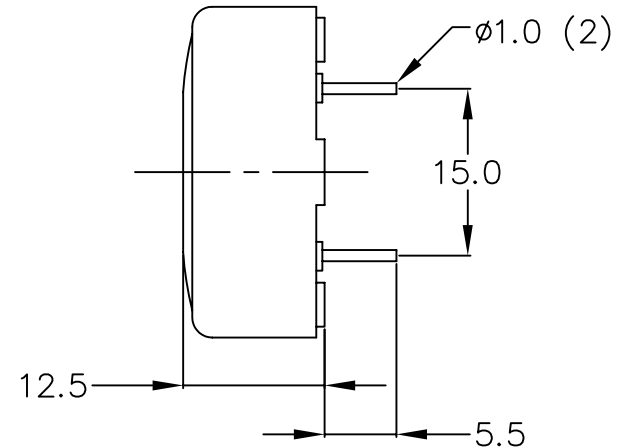
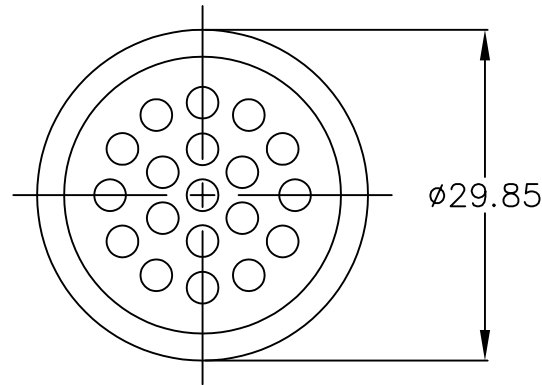


THIS DOCUMENT CONTAINS DATA PROPRIETARY TO PROJECTS UNLIMITED, INC. ANY USE OR REPRODUCTION, IN ANY FORM, WITHOUT PRIOR WRITTEN PERMISSION OF PROJECTS UNLIMITED, INC. IS PROHIBITED.
 © 2003, Projects Unlimited Inc.

SPECIFICATIONS

PARAMETERS	VALUES	UNITS
RATED INPUT POWER	0.15	W
MAX INPUT POWER	0.20	W
IMPEDANCE	8±20%	OHM
OUTPUT SPL @ 0.1W/0.5M (AT 1.0, 1.2, 1.4, 1.6 kHz)	72±3	dB
DISTORTION	7%	-
RESONANT FREQUENCY	1,400±20%	Hz
FREQUENCY RANGE	500 ~ 20,000	Hz
HOUSING MATERIAL	NORYL	-
CONE MATERIAL	MYLAR	-
MAGNET MATERIAL	Nd-Fe-B	-
OPERATING TEMPERATURE	-40 ~ +70	°C
WEIGHT	10	grams


REVISIONS			
LTR	DESCRIPTION	DATE	APPROVED
-	RELEASED FROM ENGINEERING	11/8/01	
A	REVISED FREQUENCY ON MINIMUM SPL	7/15/02	S.J.
B	REVISED TO NEW TEMPLATE	4/26/04	R.W.



NOTES:

1. ALL DIMENSIONS ARE IN MILLIMETERS.
2. SPECIFICATION SUBJECT TO CHANGE OR WITHDRAWAL WITHOUT NOTICE.

FILE NAME
AT-41.DWG

UNLESS OTHERWISE SPECIFIED: DIMENSIONS ARE IN MILLIMETERS, TOLERANCES ARE ±0.5 AND ANGLES ARE ±3°.		 projects® unlimited Dayton, Ohio									
<table border="1"> <thead> <tr> <th>APPROVALS</th> <th>DATE</th> </tr> </thead> <tbody> <tr> <td>DRAWN <i>RABL</i></td> <td>11/01</td> </tr> <tr> <td>APPROVED <i>S.J.</i></td> <td>11/01</td> </tr> <tr> <td><i>R.W.</i></td> <td>11/01</td> </tr> </tbody> </table>		APPROVALS	DATE	DRAWN <i>RABL</i>	11/01	APPROVED <i>S.J.</i>	11/01	<i>R.W.</i>	11/01	SPEAKER TRANSDUCER AT-41 DRAWING NO. AT-41	
APPROVALS	DATE										
DRAWN <i>RABL</i>	11/01										
APPROVED <i>S.J.</i>	11/01										
<i>R.W.</i>	11/01										
DO NOT SCALE DRAWING		SIZE A	SHEET 1 OF 1								
		SCALE: N.T.S.									